



VANTAGE
PRE-CHILLER

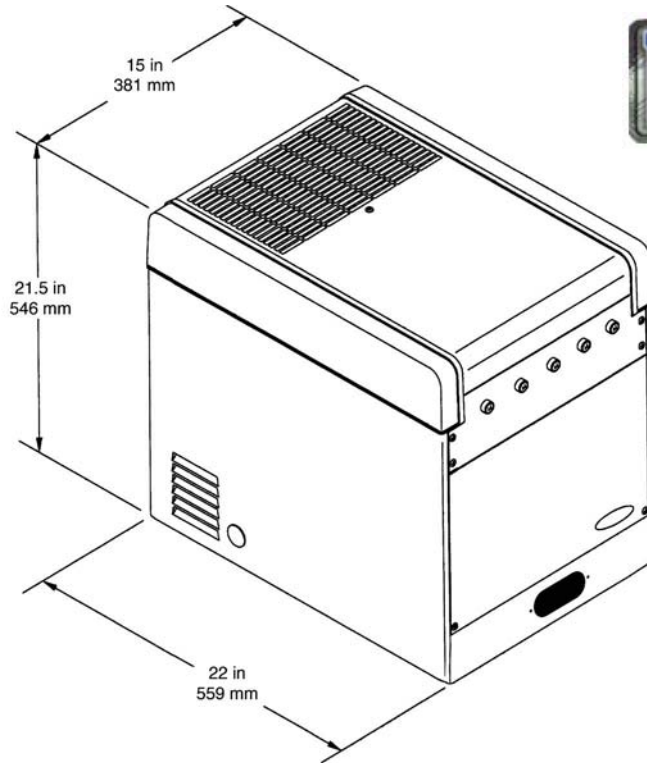


FEATURES:

- Only 21.5" (54.61 cm) tall
- Five flavors
- Stainless lower wrap
- Drop-in refrigeration chassis
- Compact coil assembly

Gulf ICE Systems, Inc.

1-800-322-4853



PART NUMBER	DESCRIPTION	STANDARD ELECTRICAL
621055813	Vantage Pre-chiller	115 V / 60 Hz / 6.0 Amps

TECHNICAL SPECIFICATIONS:

COMPRESSOR:	1/3 HP	DRAW PERFORMANCE:	Number of drinks below 4.4° C (40° F) 24° C (75° F) ambient w/draw rate of four 178 ml (6 oz.) drinks per minute = 190
CONDENSER FINISH:	Copper/Aluminum		32° C (90° F) ambient w/draw rate of four 178 ml (6 oz.) drinks per minute = 67
INITIAL AVERAGE ICE BANK:	6.4 kg (14 lb)		
REFRIGERANT:	R-134a		
ICE BANK CONTROL:	Electronic		
STABILIZED AVERAGE ICE BANK:	6.4 kg (14 lb)		
PRODUCT INLET FITTING:	1/4" barb	SHIPPING WEIGHT:	44 kg (98 lb)
PRODUCT OUTLET FITTING:	1/2-16" male flare	AGENCY LISTINGS:	<input type="checkbox"/> <input type="checkbox"/> <input type="checkbox"/>
VALVE TYPE:	Pre-Mix Cabinet		

