



 **DISPENSE-RITE[®]**





With a 60 year commitment to manufacturing dispensing products for the foodservice industry, our expertise ensures your correct product selection and complete satisfaction. **DISPENSE-RITE** quality cup dispensers have been installed in tens of thousands of locations around the world, dispensing millions and millions of cups year after year. Every product is manufactured to the highest standards in design, materials and construction.

We are committed to achieving complete customer satisfaction through product excellence, personal attention and prompt service. The professional assistance of a **DISPENSE-RITE** representative, combined with the information provided in this catalog, is a reliable source for meeting your present and future dispensing requirements.

Let **DISPENSE-RITE** introduce you to the world's largest selection of quality dispensing products. We offer a complete selection of products for cups, lids, straws, condiments, napkins, ice cream cones and paper roll towels.

TABLE OF CONTENTS



02 – 03	COMPANY OVERVIEW TABLE OF CONTENTS
04 – 05	CUP DISPENSER PRODUCT OVERVIEW
▽ STL SERIES ABS PLASTIC ONE-SIZE-FITS-ALL ADJUSTABLE CUP DISPENSERS	
06 – 07	STL-2 SERIES ONE-SIZE-FITS-ALL ABS PLASTIC IN-COUNTER ADJUSTABLE CUP DISPENSERS
08 – 09	STL-S SERIES STL-SL SERIES STL-C SERIES STL-DL SERIES ONE-SIZE-FITS-ALL POLYSTYRENE COUNTERTOP CUP DISPENSING CABINETS
10 – 11	STL-R SERIES STL-C SERIES ONE-SIZE-FITS-ALL STAINLESS STEEL COUNTERTOP CUP DISPENSING CABINETS
▽ SLR SERIES ABS PLASTIC ONE-SIZE-FITS-ALL INTERCHANGEABLE BAFFLE CUP DISPENSERS	
12 – 13	SLR-2 SERIES ONE-SIZE-FITS-ALL ABS PLASTIC IN-COUNTER INTERCHANGEABLE BAFFLE CUP DISPENSERS
14 – 15	SLR-S SERIES SLR-SL SERIES SLR-C SERIES SLR-DL SERIES ONE-SIZE-FITS-ALL POLYSTYRENE COUNTERTOP CUP DISPENSING CABINETS
16 – 17	SLR-R SERIES SLR-C SERIES ONE-SIZE-FITS-ALL STAINLESS STEEL COUNTERTOP CUP DISPENSING CABINETS
▽ ADJ SERIES STAINLESS STEEL ADJUSTABLE CUP DISPENSERS	
18-19	ADJ-1 SERIES ADJ-2 SERIES ONE-SIZE-FITS-ALL ADJ-3 SERIES STAINLESS STEEL IN-COUNTER ADJUSTABLE CUP DISPENSERS
20 – 21	CTC-R SERIES CTC-L SERIES ONE-SIZE-FITS-ALL STAINLESS STEEL COUNTERTOP CUP DISPENSING CABINETS
22 – 23	CTC-S SERIES CTC-C SERIES CTC-M SERIES ONE-SIZE-FITS-ALL POLYSTYRENE COUNTERTOP CUP DISPENSING CABINETS
24 – 25	CTC-C SERIES ONE-SIZE-FITS-ALL STAINLESS STEEL COUNTERTOP CUP, LID & STRAW DISPENSING CABINETS
▽ BFL SERIES PERFECT-FIT® STAINLESS STEEL INTERCHANGEABLE BAFFLE CUP DISPENSERS	
26 – 27	BFL-2 SERIES ONE-SIZE-FITS-ALL BFL-3 SERIES STAINLESS STEEL IN-COUNTER INTERCHANGEABLE BAFFLE CUP DISPENSERS

▽ BFL SERIES PERFECT-FIT® STAINLESS STEEL INTERCHANGEABLE BAFFLE CUP DISPENSERS (CONT.)

- 28 – 29 BFL-R SERIES | BFL-L SERIES ONE-SIZE-FITS ALL
STAINLESS STEEL COUNTERTOP CUP DISPENSING CABINETS
- 30 – 31 BFL-S SERIES | BFL-C SERIES ONE-SIZE-FITS-ALL
POLYSTYRENE COUNTERTOP CUP DISPENSING CABINETS
- 32 – 33 BFL-C SERIES ONE-SIZE-FITS-ALL
STAINLESS STEEL COUNTERTOP CUP, LID & STRAW DISPENSING CABINETS

▽ ECL SERIES STAINLESS STEEL FIXED DIAMETER CUP DISPENSERS

- 34 – 35 ECL SERIES FIXED DIAMETER
STAINLESS STEEL SURFACE MOUNTED & IN-COUNTER CUP DISPENSERS

▽ ADJ-NW , ADJ-NS , SFL AND TLD SERIES STAINLESS STEEL SURFACE/STAND MOUNTED DISPENSERS

- 36 – 37 ADJ-NW SERIES | ADJ-NS SERIES ADJUSTABLE CUP DISPENSERS
SFL SERIES PORTION CUP & LID DISPENSERS | TLD SERIES LID DISPENSERS
- 38 – 39 ARS SERIES | EZ-3EZ | COUNTERTOP CUP & LID DISPENSER STANDS
SFL-STAND SERIES STANDS | OPTIONAL MOUNTING BRACKETS

▽ LID, STRAW, CONDIMENT AND NAPKIN ORGANIZERS - POLYSTYRENE & STAINLESS STEEL

- 40 – 41 NLO-1B | NLO-CR | WLO-1B | NLS-1 | WLS-1
NLO-CTVL | NLO-WVL | MICRO-1 | NLS-1BT | WLS-1BT | NSLC-1BT
COUNTERTOP LID, STRAW & CONDIMENT ORGANIZERS

▽ WR-SERIES COUNTERTOP WIRE CUP AND LID DISPENSERS

- 42 – 43 WR-CT SERIES | WR SERIES CUP & LID DISPENSERS
WR-CT-OVRHD | WR-CC-22 | WR-COND SERIES | WR-BOTL SERIES ORGANIZERS

▽ CUP, LID, STRAW AND CONDIMENT ORGANIZERS - POLYSTYRENE & STAINLESS STEEL

- 44 – 45 PL-CT SERIES CUP, LID & CONDIMENT DISPENSING CABINETS
HVCD SERIES CONDIMENT ORGANIZERS | TLO-DL SERIES DOME LID DISPENSERS
- 46 – 47 TLO SERIES STAINLESS STEEL LID & STRAW DISPENSING CABINETS
TLO SERIES POLYSTYRENE LID & STRAW DISPENSING CABINETS
- 48 – 49 NLO SERIES LID, STRAW, CONDIMENT, SILVERWARE AND NAPKIN ORGANIZERS
CTSH SERIES SILVERWARE ORGANIZER | CTCD SERIES CONDIMENT ORGANIZER
CTLD SERIES CUP, LID AND STRAW ORGANIZERS | TSD-1S STRAW HOLDER

▽ LID DISPENSERS - STAINLESS STEEL & CLEAR PLASTIC

- 50 – 51 LID SERIES LID DISPENSERS | CTC-LID SERIES LID DISPENSING CABINETS
MSH-1 | CTVL SERIES | CTHL SERIES | MLD SERIES CUP, LID AND STRAW ORGANIZERS

▽ LID, STRAW AND NAPKIN BUILT-IN ORGANIZERS - POLYSTYRENE & ACRYLIC

- 52 – 53 FMVL SERIES | FMVDL-3 | FMVS-1BT | FMVS-1 | FMN-1BT POLYSTYRENE ORGANIZERS
FML SERIES | FMC SERIES | FMS-1 | FMN SERIES ACRYLIC ORGANIZERS

▽ NAPKIN DISPENSERS, CONDIMENT ORGANIZERS AND CREAMER ORGANIZERS

- 54 – 55 CMND SERIES | TT SERIES | CT SERIES NAPKIN DISPENSERS
TCD-2NB TRASH CHUTE | TCD SERIES CONDIMENT HOLDER | TSD-1C STRAW HOLDER
CDCD-1BT | SDCC-2BT PACKAGED CREAMER DISPENSERS | ICE-PACK

▽ CUP, LID, STRAW, CONDIMENT AND COFFEE SLEEVE DISPENSERS - POLYSTYRENE

- 56 – 57 NLO-STK-1BT | STL-STK-1BT STACKABLE ORGANIZERS
CCTL-1 | VCO SERIES MULTI-PURPOSE ORGANIZERS
HLCO-3BT | FDL-3 | ADL-3 | SLV SERIES COFFEE SLEEVE DISPENSERS

▽ ICE CREAM CONE DISPENSERS AND CONE STANDS

- 58 – 59 BCDS-BFL BOXED CONE DISPENSER | 705-DS SIDE MOUNT CONE DISPENSER
GFCD SERIES | CSG-5L | CTSC SERIES CONE HOLDERS | TD-4 TOPPING DISPENSER

▽ TOWEL, TISSUE AND LIQUID SOAP DISPENSERS

- 60 – 61 HFRT-1 | PLRT-1 | MFTD-1 | CPTD-1 TOWEL DISPENSERS
SJTD-1 | DJTD-1 TISSUE DISPENSERS | BLSD SERIES LIQUID SOAP DISPENSERS

▽ INSTRUCTIONS & SPECIFICATIONS - WARRANTY STATEMENT - TERMS & CONDITIONS

- 62 – 63 INSTALLATION INSTRUCTIONS & SPECIFICATIONS FOR IN-COUNTER CUP DISPENSERS
LIMITED WARRANTY STATEMENT | TERMS AND CONDITIONS | CONTACT INFO



THE *RITE* DISPENSER FOR EVERY APPLICATION

PRECISION ADJUSTMENT CLIPS

INTERCHANGEABLE SILICONE BAFFLES

ONE-SIZE-FITS-ALL

CUSTOM FIXED DIAMETER DISPENSERS

ABS PLASTIC CONSTRUCTION

STAINLESS STEEL CONSTRUCTION

NSF LISTED

DISPENSE-RITE quality cup dispensers are offered with three alternative dispensing mechanisms in either ABS plastic or stainless steel.

STL Series and ADJ Series cup dispensers utilize a precision three clip adjustment mechanism to ensure the exacting fit for a particular cup or container size.

SLR Series and BFL Series cup dispensers utilize an interchangeable baffle system for operators preferring the simplicity of a self-adjusting dispenser.

ECL Series cup dispensers utilize custom fixed embossings which have provided our customers unmatched dispensing reliability for over 60 years.

Dispensers are provided with calibrated compression springs and require no rear fabrication for mounting. All models are NSF Listed.

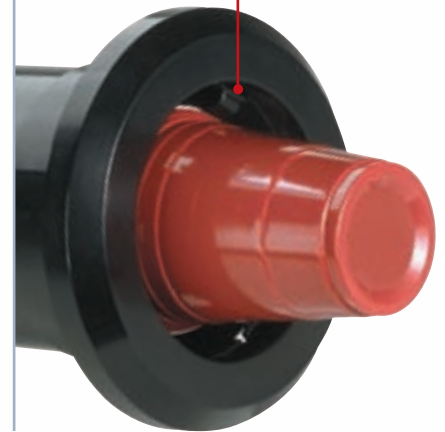
STL SERIES PAGES 06–11



STL SERIES ABS PLASTIC ADJUSTABLE CUP DISPENSERS

Our exclusive precision adjustment mechanism allows simple and fast adjustment of these dispensers to accommodate a range of cup sizes from 8 oz. to 44 oz. Quality ABS plastic construction provides an economical dispensing solution. Innovative design allows the dispenser to be easily adjusted in the counter without the use of tools.

DISPENSE-RITE
simple and fast
precision adjustment
mechanism



SLR SERIES PAGES 12–17



SLR SERIES ABS PLASTIC INTERCHANGEABLE BAFFLE CUP DISPENSERS

Our interchangeable baffle system accommodates a full range of cup sizes from 8 oz. to 44 oz. Quality ABS plastic construction provides an economical dispensing solution. Innovative design allows the baffle to be easily replaced without removing from the counter. No adjustment is required with any of the SLR Series interchangeable baffle cup dispensers.

DISPENSE-RITE
Perfect-Fit®
interchangeable
baffle gasket
system

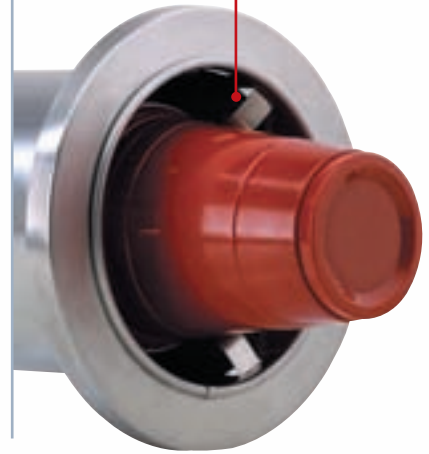


ADJ SERIES PAGES 18–25



DISPENSE-RITE
exclusive spring-clip
precision adjustment
mechanism

NSF



ADJ SERIES STAINLESS STEEL ADJUSTABLE CUP DISPENSERS

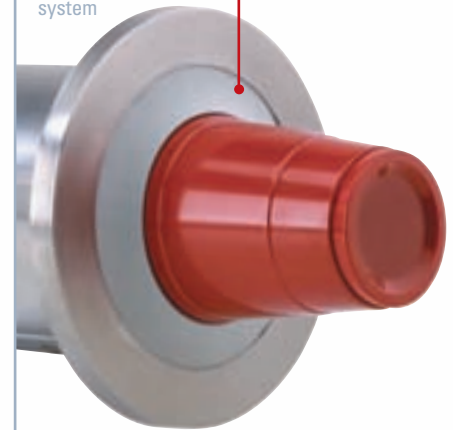
Our exclusive precision adjustment mechanism allows simple and fast adjustment of these dispensers to accommodate a full range of cup sizes from 4 oz. to 64 oz. This unique dispenser design utilizes three stainless steel spring clips to combine a full range of adjustment with long-term cup dispensing reliability.

BFL SERIES PAGES 26–33



DISPENSE-RITE
Perfect-Fit®
interchangeable
baffle gasket
system

NSF



BFL SERIES STAINLESS STEEL INTERCHANGEABLE BAFFLE CUP DISPENSERS

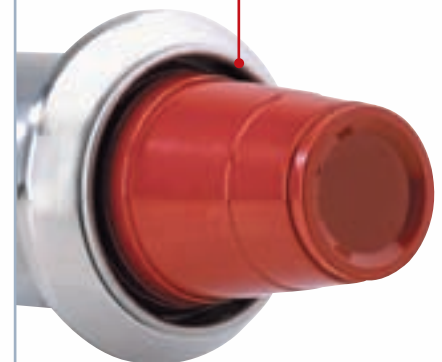
Our interchangeable baffle system accommodates a full range of cup sizes from 8 oz. to 64 oz. The silicone rubber baffles are made from the highest quality materials available. No adjustment is required with any of the BFL Series interchangeable baffle cup dispensers.

ECL SERIES PAGES 34-35



DISPENSE-RITE
exclusive
non-adjustable
fixed embossings

NSF



ECL SERIES STAINLESS STEEL FIXED DIAMETER CUP DISPENSERS

Our exclusive non-adjustable design uses a series of fixed embossings for unmatched dispensing performance of cup sizes from 6 oz. to 64 oz. This is a custom item that is manufactured to the exact specifications of a cup's outside rim diameter. Minimum order quantities apply to ECL Series dispensers. No adjustment is required with the ECL Series fixed diameter cup dispensers.

PRECISION ADJUSTMENT DISPENSING FLEXIBILITY

DISPENSE-RITE
simple and fast
precision adjustment
mechanism



STL SERIES ONE-SIZE-FITS-ALL IN-COUNTER ADJUSTABLE CUP DISPENSERS

DISPENSE-RITE STL-2 cup dispensers are the only dispensers you will need for a variety of paper, plastic and foam cups ranging from 8 oz. to 44 oz. STL-2 cup dispensers utilize a simple and fast tool free adjustment mechanism. These dispensers are designed for cups and containers with rim diameters ranging from 3 $\frac{3}{8}$ " – 4 $\frac{1}{2}$ ".

DISPENSE-RITE's precision three clip adjustment mechanism combined with a calibrated compression spring ensures one at a time dispensing in horizontal, angled or vertical mounting positions. Innovative design allows the dispenser to be adjusted without removing from the counter. Quality ABS plastic construction with a no-jam design provides years of dispensing reliability.

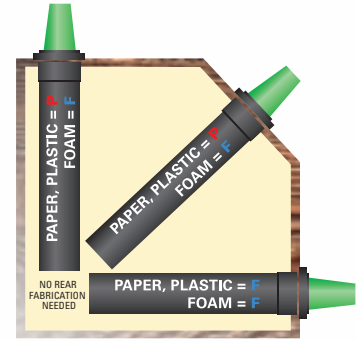
The integrated mounting collar fully supports the dispenser in horizontal, angled or vertical mounting positions; no additional support is necessary. Optional silver satin ring bezels are available. All models are NSF listed.

NSF

- Models listed on page 07 ship with 2 different compression springs: "F" & "P". See chart on page 07 for details.
- NOTE: Ounce capacities are provided for reference only, always verify cup rim diameter prior to ordering.

Model Number	Cup Rim Diameter Range	Under Counter Length	Ring Bezel Diameter	Mounting Hole Cut-Out
STL-2	3⅞"–4½"	22"	7⅞"	5¼"
STL-2S	3⅞"–4½"	17"	7⅞"	5¼"
STL-2L	3⅞"–4½"	28"	7⅞"	5¼"

Spring Configurations ▾



Cup Type	Position	Spring
Foam Cups	: Any Position	: F Spring
Paper Cups	: Horizontal	: F Spring
Plastic Cups	: Horizontal	: F Spring
Paper Cups	: Angled	: P Spring
Plastic Cups	: Angled	: P Spring
Paper Cups	: Vertical	: P Spring
Plastic Cups	: Vertical	: P Spring

Dispensers ship with both the "F" and "P" compression springs.

Single spring models are available; see price list for additional information.

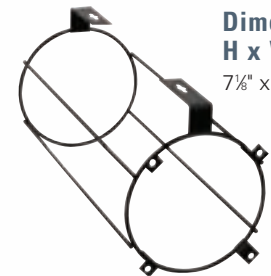
Color Ring Bezels ▾

Optional colored ring bezels are available in this popular color:

- SILVER SATIN (stainless finish)



Under Counter Bracket ▾



Dimensions
H x W x D

7⅞" x 6" x 15¼"

The optional **STL-2-SMB** wire surface mount bracket mounts to any flat surface or wire shelf and allows you to mount a STL-2 cup dispenser in horizontal, vertical or angled positions. Maximum counter lip is 1/2".

STL-2, STL-2S AND STL-2L ONE-SIZE-FITS-ALL IN-COUNTER ADJUSTABLE CUP DISPENSERS

With three under counter lengths to choose from the STL-2 cup dispenser can be ordered to suit your particular installation requirements.



STL-2 22" UNDER COUNTER LENGTH



STL-2S 17" UNDER COUNTER LENGTH



STL-2L 28" UNDER COUNTER LENGTH



The STL-2 dispenser accommodates a variety of cup sizes ranging from 8 oz. to 44 oz. Always verify cup rim diameter prior to ordering.

SIZE-RITE

MODEL	APPROX. CUP SIZE
STL-2	8 oz. to 44 oz.
STL-2S	8 oz. to 44 oz.
STL-2L	8 oz. to 44 oz.



STL-S-1BT



STL-S-2BT



STL-S-3BT



STL-S-4BT

The **STL-S Series** Countertop Cup Dispensing Cabinets feature STL-2 cup dispensers combined with a durable and stylish polystyrene cabinet.

Cabinets dispense a variety of 8 oz. to 44 oz. paper, plastic or foam cups with rim diameters ranging in size from 3 1/8" – 4 1/2".

The STL-S-1BT features a stackable design.

Model Number	Number of STL-2 Dispensers	Cup Sizes	Cup Rim Diameter Range	Cabinet Dimensions H x W x D
STL-S-1BT	1	8 to 44 oz.	3 1/8" – 4 1/2"	8 1/4" x 8" x 23"
STL-S-2BT	2	8 to 44 oz.	3 1/8" – 4 1/2"	16 1/4" x 8" x 23"
STL-S-3BT	3	8 to 44 oz.	3 1/8" – 4 1/2"	24 1/4" x 8" x 23"
STL-S-4BT	4	8 to 44 oz.	3 1/8" – 4 1/2"	32 1/4" x 8" x 23"



STL-SL-2X1BT



STL-SL-2BT



STL-SL-3BT



STL-SL-2X2BT

The **STL-SL Series** Countertop Cup & Lid Dispensing Cabinets feature STL-2 cup dispensers combined with a durable and stylish polystyrene cabinet.

Unique cabinet design incorporates a high impact ABS plastic top to provide storage for lids, straws, stir-sticks and condiment packets.

Model Number	Number of STL-2 Dispensers	Cup Sizes	Cup Rim Diameter Range	Cabinet Dimensions H x W x D
STL-SL-2X1BT	2	8 to 44 oz.	3 1/8" – 4 1/2"	14 1/4" x 16 1/2" x 24"
STL-SL-2BT	2	8 to 44 oz.	3 1/8" – 4 1/2"	22 1/4" x 8 1/2" x 24"
STL-SL-3BT	3	8 to 44 oz.	3 1/8" – 4 1/2"	29 1/4" x 8 1/2" x 24"
STL-SL-2X2BT	4	8 to 44 oz.	3 1/8" – 4 1/2"	22 1/4" x 16 1/2" x 24"

ONE-SIZE-FITS-ALL CUP DISPENSING CABINETS

STL
SERIES

The **STL-C Series** Countertop Combination Dispensing Cabinets feature STL-2 cup dispensers and include built-in storage for lids and straws.

Cabinets dispense a variety of 8 oz. to 44 oz. paper, plastic or foam cups with rim diameters ranging in size from 3½" – 4½". Straw compartment accommodates standard and jumbo length straws.

The **STL-DL-3BT** model features an integrated storage solution for dome lids.

Model Number	Location of STL-2 Dispensers	Cup Sizes	Cup Rim Diameter Range	Cabinet Dimensions H x W x D
STL-C-4RBT	Right	8 to 44 oz.	3½" – 4½"	32¼" x 13" x 23"
STL-C-4LBT	Left	8 to 44 oz.	3½" – 4½"	32¼" x 13" x 23"
STL-C-3RBT	Right	8 to 44 oz.	3½" – 4½"	24¼" x 13" x 23"
STL-C-3LBT	Left	8 to 44 oz.	3½" – 4½"	24¼" x 13" x 23"
STL-DL-3BT	Left	8 to 44 oz.	3½" – 4½"	24¼" x 13" x 23"



STL-C-4RBT



STL-C-4LBT



STL-C-3RBT



STL-C-3LBT



STL-DL-3BT

Key Features ▾

- ONE-SIZE-FITS-ALL
- 8 oz. to 44 oz. Cup Sizes
- Angled Lid Compartments
- High Capacity Straw Organizer
- Simple and Fast Adjustment
- Paper, Plastic or Foam Cups
- No-Jam Design
- NSF Listed Cup Dispensers

Included Cup Dispensers ▾

The **DISPENSE-RITE** STL-2 cup dispenser is included with these cabinet models.



See pages 06–07 for additional details.

BLACK POLYSTYRENE CONSTRUCTION



STL-R-3SS



STL-R-4SS

The **STL-R Series** Countertop Cup Dispensing Cabinets feature STL-2 cup dispensers combined with a quality stainless steel cabinet.

Cabinets dispense a variety of 8 oz. to 44 oz. paper, plastic or foam cups with rim diameters ranging in size from 3 1/8" – 4 1/2".

Reinforced welded stainless steel cabinet construction provides long term durability.

Model Number	Number of STL-2 Dispensers	Cup Sizes	Cup Rim Diameter Range	Cabinet Dimensions H x W x D
STL-R-3SS	3	8 to 44 oz.	3 1/8" – 4 1/2"	24 1/2" x 8 1/8" x 23"
STL-R-4SS	4	8 to 44 oz.	3 1/8" – 4 1/2"	32 1/2" x 8 1/8" x 23"

ONE-SIZE-FITS-ALL CUP DISPENSING CABINETS

STL
SERIES

The **STL-C Series** Countertop Combination Dispensing Cabinets feature STL-2 cup dispensers and include built-in storage for lids and straws.

Cabinets dispense a variety of 8 oz. to 44 oz. paper, plastic or foam cups with rim diameters ranging in size from 3½" – 4½". Straw compartment accommodates standard and jumbo length straws.

Reinforced welded stainless steel cabinet construction provides long term durability.

Model Number	Location of STL-2 Dispensers	Cup Sizes	Cup Rim Diameter Range	Cabinet Dimensions H x W x D
STL-C-4RSS	Right	8 to 44 oz.	3½" – 4½"	32½" x 13" x 23"
STL-C-4LSS	Left	8 to 44 oz.	3½" – 4½"	32½" x 13" x 23"



STL-C-4RSS

STL-C-4LSS

Key Features ▾

- ONE-SIZE-FITS-ALL
- 8 oz. to 44 oz. Cup Sizes
- Angled Lid Compartments
- High Capacity Straw Organizer
- Simple and Fast Adjustment
- Paper, Plastic or Foam Cups
- No-Jam Design
- NSF Listed Cup Dispensers

Cup Sizing Chart ▾

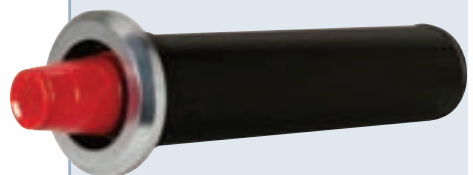
The STL Series accommodate a variety of cup sizes ranging from 8 oz. to 44 oz. Always verify cup rim diameter prior to ordering.

SIZE-RITE

MODEL	APPROX CUP SIZE
STL-R-3SS	8 oz. to 44 oz.
STL-R-4SS	8 oz. to 44 oz.
STL-C-4RSS	8 oz. to 44 oz.
STL-C-4LSS	8 oz. to 44 oz.

Included Cup Dispensers ▾

The **DISPENSE-RITE** STL-2 cup dispenser with matching silver satin ring bezel is included with these cabinet models.



See pages 06-07 for additional details.

STAINLESS STEEL CONSTRUCTION

SELF ADJUSTING DISPENSING FLEXIBILITY

DISPENSE-RITE
Perfect-Fit® interchangeable
baffle gasket system



SLR SERIES ONE-SIZE-FITS-ALL IN-COUNTER INTERCHANGEABLE BAFFLE CUP DISPENSERS

DISPENSE-RITE SLR-2 Perfect-Fit® cup dispensers are the only dispensers you will need for a variety of paper, plastic and foam cups ranging from 8 oz. to 44 oz. SLR-2 cup dispensers utilize an interchangeable silicone baffle gasket system. These dispensers are designed for cups and containers with rim diameters ranging from 3" – 4½".

DISPENSE-RITE's interchangeable baffle system combined with a calibrated compression spring ensures one at a time dispensing in horizontal, angled or vertical mounting positions. Innovative design allows the baffle to be replaced without removing from the counter. Quality ABS plastic construction with a no-jam design provides years of dispensing reliability.

The integrated mounting collar fully supports the dispenser in horizontal, angled or vertical mounting positions; no additional support is necessary. Optional silver satin ring bezels are available. All models are NSF listed.

• Above models include multiple silicone baffles and are for use with the cup diameter range listed. **NOTE:** Ounce capacities are provided for reference only. Always verify cup rim diameter prior to ordering.

• Above models ship with 2 different compression springs "F" & "P". See chart on page 13 for details.



Model Number	Cup Rim Diameter Range	Under Counter Length	Ring Bezel Diameter	Mounting Hole Cut-Out
SLR-2	3"-4½"	22"	7½"	5¼"
SLR-2S	3"-4½"	17"	7½"	5¼"
SLR-2L	3"-4½"	28"	7½"	5¼"

SLR-2, SLR-2S AND SLR-2L ONE-SIZE-FITS-ALL IN-COUNTER INTERCHANGEABLE BAFFLE CUP DISPENSERS

With three under counter lengths to choose from the SLR-2 cup dispenser can be ordered to suit your particular installation requirements.

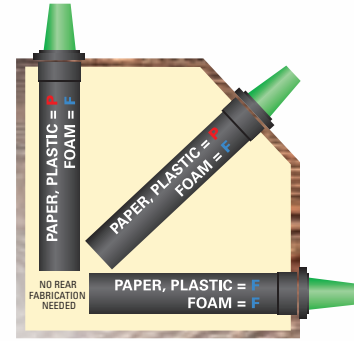


The SLR-2 dispenser accommodates a variety of cup sizes ranging from 8 oz. to 44 oz. Always verify cup rim diameter prior to ordering.

SIZE-RITE

MODEL	APPROX CUP SIZE
SLR-2	8 oz. to 44 oz.
SLR-2S	8 oz. to 44 oz.
SLR-2L	8 oz. to 44 oz.

Spring Configurations ▾



Cup Type	Position	Spring
Foam Cups	: Any Position	: F Spring
Paper Cups	: Horizontal	: F Spring
Plastic Cups	: Horizontal	: F Spring
Paper Cups	: Angled	: P Spring
Plastic Cups	: Angled	: P Spring
Paper Cups	: Vertical	: P Spring
Plastic Cups	: Vertical	: P Spring

Dispensers ship with both the "F" and "P" compression springs.

Single spring models are available; see price list for additional information.

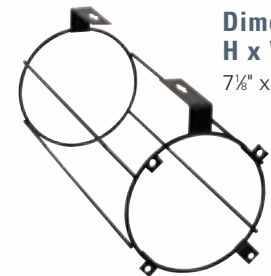
Color Ring Bezels ▾

Optional colored ring bezels are available in this popular color:

- SILVER SATIN (stainless finish)



Under Counter Bracket ▾



The optional **STL-2-SMB** wire surface mount bracket mounts to any flat surface or wire shelf and allows you to mount a SLR-2 cup dispenser in horizontal, vertical or angled positions. Maximum counter lip is 1/2".

ONE-SIZE-FITS-ALL CUP DISPENSING CABINETS

BLACK POLYSTYRENE CONSTRUCTION



SLR-S-1BT



SLR-S-2BT



SLR-S-3BT



SLR-S-4BT

The **SLR-S Series** Countertop Cup Dispensing Cabinets feature SLR-2 cup dispensers combined with a durable and stylish polystyrene cabinet.

Cabinets dispense a variety of 8 oz. to 44 oz. paper, plastic or foam cups with rim diameters ranging in size from 3" – 4½".

The SLR-S-1BT features a stackable design.

Model Number	Number of SLR-2 Dispensers	Cup Sizes	Cup Rim Diameter Range	Cabinet Dimensions H x W x D
SLR-S-1BT	1	8 to 44 oz.	3" – 4½"	8¼" x 8" x 23"
SLR-S-2BT	2	8 to 44 oz.	3" – 4½"	16¼" x 8" x 23"
SLR-S-3BT	3	8 to 44 oz.	3" – 4½"	24¼" x 8" x 23"
SLR-S-4BT	4	8 to 44 oz.	3" – 4½"	32¼" x 8" x 23"



SLR-SL-2X1BT



SLR-SL-2BT



SLR-SL-3BT



SLR-SL-2X2BT

The **SLR-SL Series** Countertop Cup & Lid Dispensing Cabinets feature SLR-2 cup dispensers combined with a durable and stylish polystyrene cabinet.

Unique cabinet design incorporates a high impact ABS plastic top to provide storage for lids, straws, stir-sticks and condiment packets.

Model Number	Number of SLR-2 Dispensers	Cup Sizes	Cup Rim Diameter Range	Cabinet Dimensions H x W x D
SLR-SL-2X1BT	2	8 to 44 oz.	3" – 4½"	14¼" x 16½" x 24"
SLR-SL-2BT	2	8 to 44 oz.	3" – 4½"	22¼" x 8½" x 24"
SLR-SL-3BT	3	8 to 44 oz.	3" – 4½"	29¼" x 8½" x 24"
SLR-SL-2X2BT	4	8 to 44 oz.	3" – 4½"	22¼" x 16½" x 24"

ONE-SIZE-FITS-ALL CUP DISPENSING CABINETS

The **SLR-C Series** Countertop Combination Dispensing Cabinets feature SLR-2 cup dispensers and include built-in storage for lids and straws.

Cabinets dispense a variety of 8 oz. to 44 oz. paper, plastic or foam cups with rim diameters ranging in size from 3" – 4½". Straw compartment accommodates standard and jumbo length straws.

The **SLR-DL-3BT** model features an integrated storage solution for dome lids.

Model Number	Location of SLR-2 Dispensers	Cup Sizes	Cup Rim Diameter Range	Cabinet Dimensions H x W x D
SLR-C-4RBT	Right	8 to 44 oz.	3" – 4½"	32¼" x 13" x 23"
SLR-C-4LBT	Left	8 to 44 oz.	3" – 4½"	32¼" x 13" x 23"
SLR-C-3RBT	Right	8 to 44 oz.	3" – 4½"	24¼" x 13" x 23"
SLR-C-3LBT	Left	8 to 44 oz.	3" – 4½"	24¼" x 13" x 23"
SLR-DL-3BT	Left	8 to 44 oz.	3" – 4½"	24¼" x 13" x 23"



SLR-C-4RBT



SLR-C-4LBT



SLR-C-3RBT



SLR-C-3LBT



SLR-DL-3BT

Key Features ▾

- ONE-SIZE-FITS-ALL
- 8 oz. to 44 oz. Cup Sizes
- Angled Lid Compartments
- High Capacity Straw Organizer
- Interchangeable Baffle System
- Paper, Plastic or Foam Cups
- No-Jam Design
- NSF Listed Cup Dispensers

Included Cup Dispensers ▾

The **DISPENSE-RITE** SLR-2 cup dispenser is included with these cabinet models.



See pages 12–13 for additional details.

BLACK POLYSTYRENE CONSTRUCTION

STAINLESS STEEL CONSTRUCTION



SLR-R-3SS



SLR-R-4SS

The **SLR-R Series** Countertop Cup Dispensing Cabinets feature SLR-2 cup dispensers combined with a quality stainless steel cabinet.

Cabinets dispense a variety of 8 oz. to 44 oz. paper, plastic or foam cups with rim diameters ranging in size from 3" – 4½".

Reinforced welded stainless steel cabinet construction provides long term durability.

Model Number	Number of SLR-2 Dispensers	Cup Sizes	Cup Rim Diameter Range	Cabinet Dimensions H x W x D
SLR-R-3SS	3	8 to 44 oz.	3" – 4½"	24½" x 8½" x 23"
SLR-R-4SS	4	8 to 44 oz.	3" – 4½"	32½" x 8½" x 23"

ONE-SIZE-FITS-ALL CUP DISPENSING CABINETS

SLR
SERIES

The **SLR-C Series** Countertop Combination Dispensing Cabinets feature SLR-2 cup dispensers and include built-in storage for lids and straws.

Cabinets dispense a variety of 8 oz. to 44 oz. paper, plastic or foam cups with rim diameters ranging in size from 3" – 4½". Straw compartment accommodates standard and jumbo length straws.

Reinforced welded stainless steel cabinet construction provides long term durability.

Model Number	Location of SLR-2 Dispensers	Cup Sizes	Cup Rim Diameter Range	Cabinet Dimensions H x W x D
SLR-C-4RSS	Right	8 to 44 oz.	3" – 4½"	32½" x 13" x 23"
SLR-C-4LSS	Left	8 to 44 oz.	3" – 4½"	32½" x 13" x 23"



SLR-C-4RSS



SLR-C-4LSS

Key Features ▾

- ONE-SIZE-FITS-ALL
- 8 oz. to 44 oz. Cup Sizes
- Angled Lid Compartments
- High Capacity Straw Organizer
- Interchangeable Baffle System
- Paper, Plastic or Foam Cups
- No-Jam Design
- NSF Listed Cup Dispensers

Cup Sizing Chart ▾

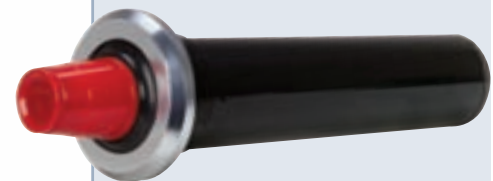
The SLR Series accommodate a variety of cup sizes ranging from 8 oz. to 44 oz. Always verify cup rim diameter prior to ordering.

SIZE-RITE

MODEL	APPROX CUP SIZE
SLR-R-3SS	8 oz. to 44 oz.
SLR-R-4SS	8 oz. to 44 oz.
SLR-C-4RSS	8 oz. to 44 oz.
SLR-C-4LSS	8 oz. to 44 oz.

Included Cup Dispensers ▾

The **DISPENSE-RITE** SLR-2 cup dispenser with matching silver satin ring bezel is included with these cabinet models.



See pages 12–13 for additional details.

STAINLESS STEEL CONSTRUCTION

PRECISION ADJUSTMENT DISPENSING FLEXIBILITY

ADJ SERIES IN-COUNTER ADJUSTABLE CUP DISPENSERS

DISPENSE-RITE ADJ Series cup dispensers feature quality stainless steel construction. These dispensers utilize an exclusive spring-clip precision adjustment mechanism to accommodate a full range of cup sizes from 4 oz. to 64 oz.

A calibrated compression spring ensures one at a time dispensing in horizontal, angled or vertical mounting positions. The quick-release mounting bracket fully supports the dispenser in horizontal, angled or vertical mounting positions and no additional support is necessary. All models are NSF listed.

DISPENSE-RITE
exclusive spring-clip
precision adjustment
mechanism



The **ADJ-1** is the ideal dispenser for smaller cup sizes and tight spaces. This unit is designed to accommodate 4 oz. to 12 oz. paper, plastic or foam cups with rim diameters ranging in size from 2½"–3½". The ADJ-1 model requires a smaller 4" hole cut-out and is ideal for many retrofit applications.

The **ADJ-2** is our most popular cup dispenser. It is a **One-Size-Fits-All** model that offers complete dispensing flexibility. This unit is designed to accommodate a variety of 8 oz. to 44 oz. paper, plastic or foam cups with rim diameters ranging in size from 3"–4½". This model comes in two under counter lengths: 22" or 19". The ADJ-2 models require a 5¼" hole cut-out.



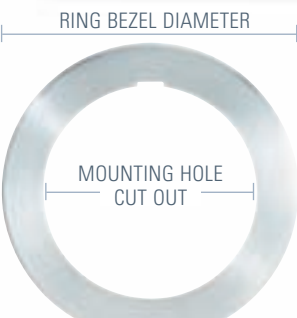
The **ADJ-3** is the ideal dispenser for jumbo size drink cups and deli containers. This unit is designed to accommodate 44 oz. to 64 oz. paper, plastic or foam cups with rim diameters ranging in size from 4½"–5½". The ADJ-3 model requires a larger 5¾" hole cut-out.

• Above models ship with 2 different compression springs "F" & "P".
See chart on page 19 for details.

STAINLESS STEEL CONSTRUCTION

Model Number	Cup Rim Diameter Range	Under Counter Length	Ring Bezel Diameter	Mounting Hole Cut-Out
ADJ-1	2½"-3½"	22"	5⅜"	4"
ADJ-2	3"-4⅝"	22"	6⅞"	5¼"
ADJ-2S	3"-4⅝"	19"	6⅞"	5¼"
ADJ-3	4½"-5¼"	22"	7⅞"	5¾"

ADJ-1, ADJ-2, ADJ-2S AND ADJ-3 IN-COUNTER ADJUSTABLE CUP DISPENSERS

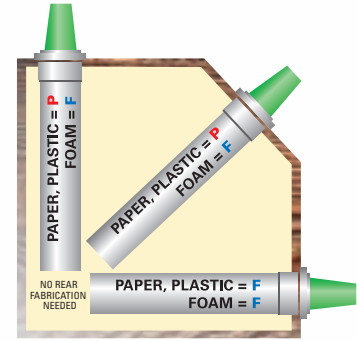


The ADJ Series accommodates a variety of cup sizes ranging from 4 oz. to 64 oz. Always verify cup rim diameter prior to ordering.

SIZE-RITE

MODEL	APPROX CUP SIZE
ADJ-1	4 oz. to 12 oz.
ADJ-2	8 oz. to 44 oz.
ADJ-2S	8 oz. to 44 oz.
ADJ-3	44 oz. to 64 oz.

Spring Configurations ▾



Cup Type	Position	Spring
Foam Cups	: Any Position	: F Spring
Paper Cups	: Horizontal	: F Spring
Paper Cups	: Angled	: P Spring
Plastic Cups	: Horizontal	: F Spring
Plastic Cups	: Angled	: P Spring
Plastic Cups	: Vertical	: P Spring
Plastic Cups	: Vertical	: P Spring

Dispensers ship with both the "F" and "P" compression springs.

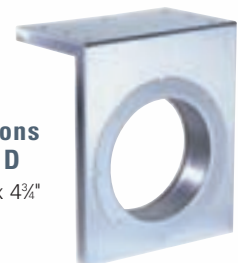
Single spring models are available; see price list for additional information.

Color Ring Bezels ▾

Stainless ring bezels are standard. Optional powder coated ring bezels are available in these popular colors:

- **BLACK RIDGE** (matte textured) Available for the ADJ-1, ADJ-2 or ADJ-3 
- **RED** (high gloss) Available for the ADJ-2 only 
- **BLACK** (high gloss) Available for the ADJ-2 only 

Under Counter Bracket ▾



Dimensions H x W x D

9⅞" x 7¾" x 4¾"

The optional **UCMB-2** stainless steel under counter bracket mounts to any flat surface or wire shelf creating a faceplate to mount an ADJ-2 cup dispenser. Maximum counter lip is 1⅞".

STAINLESS STEEL CONSTRUCTION

STAINLESS STEEL CONSTRUCTION

Included Cup Dispensers ▾

The **DISPENSE-RITE** ADJ-2 cup dispenser is included with these cabinet models.



See pages 18–19 for additional details.



CTC-R-2SS

CTC-R-3SS

CTC-R-4SS

The **CTC-R Series** Countertop Cup Dispensing Cabinets feature ADJ-2 stainless steel cup dispensers combined with a quality stainless steel cabinet.

Cabinets dispense a variety of 8 oz. to 44 oz. paper, plastic or foam cups with rim diameters ranging in size from 3" – 4 $\frac{5}{8}$ ".

Reinforced welded stainless steel cabinet construction provides long term durability. Quick-release mounting brackets allow simple and fast dispenser removal for cleaning or adjustment.

Model Number	Number of ADJ-2 Dispensers	Cup Sizes	Cup Rim Diameter Range	Cabinet Dimensions H x W x D
CTC-R-2SS	2	8 to 44 oz.	3"–4 $\frac{5}{8}$ "	16 $\frac{1}{2}$ " x 8 $\frac{1}{8}$ " x 23"
CTC-R-3SS	3	8 to 44 oz.	3"–4 $\frac{5}{8}$ "	24 $\frac{1}{2}$ " x 8 $\frac{1}{8}$ " x 23"
CTC-R-4SS	4	8 to 44 oz.	3"–4 $\frac{5}{8}$ "	32 $\frac{1}{2}$ " x 8 $\frac{1}{8}$ " x 23"

ONE-SIZE-FITS-ALL CUP DISPENSING CABINETS

Key Features ▾

- ONE-SIZE-FITS-ALL
- 8 oz. to 44 oz. Cup Sizes
- Precision Adjustment Mechanism
- Lid & Straw Organizer
- Paper, Plastic or Foam Cups
- Quick-Release Brackets
- NSF Listed Cup Dispensers

Color Ring Bezels ▾

Stainless ring bezels are standard. Optional powder coated ring bezels are available in these popular colors:

- BLACK RIDGE (matte textured)
- RED (high gloss)
- BLACK (high gloss)



Model Number	Number of ADJ-2 Dispensers	Cup Sizes	Cup Rim Diameter Range	Cabinet Dimensions H x W x D
CTC-L-2SS	2	8 to 44 oz.	3"-4½"	22¾" x 8¾" x 23½"
CTC-L-3SS	3	8 to 44 oz.	3"-4½"	29¾" x 8¾" x 23½"
CTC-L-2X2SS	4	8 to 44 oz.	3"-4½"	22½" x 16½" x 22¾"



CTC-L-2X2SS



CTC-L-2SS



CTC-L-3SS

The **CTC-L Series** Countertop Cup & Lid Dispensing Cabinets feature ADJ-2 stainless steel cup dispensers combined with a quality stainless steel cabinet.

Cabinets dispense a variety of 8 oz. to 44 oz. paper, plastic or foam cups with rim diameters ranging in size from 3" – 4½".

Unique cabinet design incorporates a removable ABS plastic top to provide storage for lids, straws, stir-sticks and condiment packets. The durable top removes quickly and easily for cleaning.

Quick-release mounting brackets allow simple and fast cup dispenser removal for cleaning or adjustment.

STAINLESS STEEL CONSTRUCTION

BLACK POLYSTYRENE CONSTRUCTION



CTC-S-2BT

CTC-S-3BT

CTC-S-4BT

The **CTC-S Series** Countertop Cup Dispensing Cabinets feature ADJ-2 stainless steel cup dispensers combined with a durable and stylish polystyrene cabinet.

Cabinets dispense a variety of 8 oz. to 44 oz. paper, plastic or foam cups with rim diameters ranging in size from 3" – 4 $\frac{5}{8}$ ".

Dispensers feature matching gloss black ring bezels and a quick-release mounting bracket.

Model Number	Number of ADJ-2 Dispensers	Cup Sizes	Cup Rim Diameter Range	Cabinet Dimensions H x W x D
CTC-S-2BT	2	8 to 44 oz.	3"–4 $\frac{5}{8}$ "	16 $\frac{1}{4}$ " x 8" x 23"
CTC-S-3BT	3	8 to 44 oz.	3"–4 $\frac{5}{8}$ "	24 $\frac{1}{4}$ " x 8" x 23"
CTC-S-4BT	4	8 to 44 oz.	3"–4 $\frac{5}{8}$ "	32 $\frac{1}{4}$ " x 8" x 23"

ONE-SIZE-FITS-ALL CUP DISPENSING CABINETS

The CTC-C Series and CTC-M Series

Countertop Combination Cup Dispensing Cabinets feature ADJ-2 stainless steel cup dispensers and include built-in storage for lids and straws.

Cabinets dispense a variety of 8 oz. to 44 oz. paper, plastic or foam cups with rim diameters ranging in size from 3" – 4 $\frac{5}{8}$ ". Straw compartment accommodates standard and jumbo length straws.

Dispensers feature matching high gloss black ring bezels and a quick-release mounting bracket.

Model Number	Number of ADJ-2 Dispensers	Cup Sizes	Cup Rim Diameter Range	Cabinet Dimensions H x W x D
CTC-C-2BT	2	8 to 44 oz.	3"–4 $\frac{5}{8}$ "	16 $\frac{1}{4}$ " x 13" x 23"
CTC-C-3BT	3	8 to 44 oz.	3"–4 $\frac{5}{8}$ "	24 $\frac{1}{4}$ " x 13" x 23"
CTC-C-4BT	4	8 to 44 oz.	3"–4 $\frac{5}{8}$ "	32 $\frac{1}{4}$ " x 13" x 23"
CTC-M-3BT	3	8 to 44 oz.	3"–4 $\frac{5}{8}$ "	32 $\frac{1}{4}$ " x 11" x 23"



CTC-C-2BT



CTC-C-3BT



CTC-C-4BT



CTC-M-3BT

Key Features ▾

- ONE-SIZE-FITS-ALL
- 8 oz. to 44 oz. Cup Sizes
- Precision Adjustment Mechanism
- Angled Lid Compartments
- High Capacity Straw Organizer
- Paper, Plastic or Foam Cups
- Quick-Release Brackets
- NSF Listed Cup Dispensers

Cup Sizing Chart ▾

The CTC Series accommodates a variety of cup sizes ranging from 8 oz. to 44 oz. Always verify cup rim diameter prior to ordering.

SIZE-RITE

MODEL	APPROX CUP SIZE
CTC-S-2BT	8 oz. to 44 oz.
CTC-S-3BT	8 oz. to 44 oz.
CTC-S-4BT	8 oz. to 44 oz.
CTC-C-2BT	8 oz. to 44 oz.
CTC-C-3BT	8 oz. to 44 oz.
CTC-C-4BT	8 oz. to 44 oz.
CTC-M-3BT	8 oz. to 44 oz.

Included Cup Dispensers ▾

The **DISPENSE-RITE** ADJ-2 cup dispenser with matching gloss black ring bezel is included with these cabinet models.



See pages 18–19 for additional details.

BLACK POLYSTYRENE CONSTRUCTION

INNOVATIVE COMBINATION DISPENSING

CTC-C SERIES COUNTERTOP ADJUSTABLE ONE-SIZE-FITS-ALL CUP DISPENSING CABINETS WITH BUILT-IN LID & STRAW ORGANIZERS

The innovative **CTC-C Series** combination dispensing cabinets feature ADJ-2 One-Size-Fits-All cup dispensers and include built-in storage for lids and straws.

Cabinets dispense a variety of 8 oz. to 44 oz. paper, plastic or foam cups with rim diameters ranging in size from 3" – 4 $\frac{5}{8}$ ".

Reinforced welded stainless steel cabinet construction provides long term durability. Quick-release mounting brackets allow simple and fast dispenser removal for cleaning or adjustment.



Cabinets can be ordered with the cup dispensers on either the right or left side. Combination Cup, Lid and Straw Dispensing Cabinets offer maximum dispensing flexibility and provide convenient accessory to drink accessory items.

DISPENSE-RITE quality stainless steel cabinets are designed to provide long lasting trouble-free cup dispensing.

ONE-SIZE-FITS-ALL CUP DISPENSING CABINETS

CTC
SERIES

Model Number	Number of ADJ-2 Dispensers	Cup Sizes	Cup Rim Diameter Range	Cabinet Dimensions H x W x D
CTC-C-4RSS	4	8 to 44 oz.	3"-4½"	32½" x 13" x 23"
CTC-C-4LSS	4	8 to 44 oz.	3"-4½"	32½" x 13" x 23"
CTC-C-3RSS	3	8 to 44 oz.	3"-4½"	24½" x 13" x 23"
CTC-C-3LSS	3	8 to 44 oz.	3"-4½"	24½" x 13" x 23"

Key Features ▾

- ONE-SIZE-FITS-ALL
- 8 oz. to 44 oz. Cup Sizes
- Precision Adjustment Mechanism
- Angled Lid Compartments
- High Capacity Straw Organizer
- Paper, Plastic or Foam Cups
- Quick-Release Brackets
- NSF Listed Cup Dispensers

Cup Sizing Chart ▾

The CTC-C Series accommodates a variety of cup sizes ranging from 8 oz. to 44 oz. Always verify cup rim diameter prior to ordering.

SIZE-RITE

MODEL	APPROX CUP SIZE
CTC-C-4RSS	8 oz. to 44 oz.
CTC-C-4LSS	8 oz. to 44 oz.
CTC-C-3RSS	8 oz. to 44 oz.
CTC-C-3LSS	8 oz. to 44 oz.

Color Ring Bezels ▾

Stainless ring bezels are standard. Optional powder coated ring bezels are available in these popular colors:

- BLACK RIDGE (matte textured)



- RED (high gloss)



- BLACK (high gloss)



Included Cup Dispensers ▾

The **DISPENSE-RITE** ADJ-2 cup dispenser is included with these cabinet models.



See pages 18-19 for additional details.



CTC-C-4RSS



CTC-C-4LSS



CTC-C-3RSS



CTC-C-3LSS

STAINLESS STEEL CONSTRUCTION

SELF-ADJUSTING DISPENSING FLEXIBILITY

BFL SERIES IN-COUNTER INTERCHANGEABLE BAFFLE CUP DISPENSERS

DISPENSE-RITE Perfect-Fit® BFL Series feature quality stainless steel construction. These dispensers utilize an interchangeable silicone baffle gasket system to accommodate a full range of cup sizes from 8 oz. to 64 oz.

A calibrated compression spring ensures one at a time dispensing in horizontal, angled or vertical mounting positions. The quick-release mounting bracket fully supports the dispenser in horizontal, angled or vertical mounting positions and no additional support is necessary. All models are NSF listed.

DISPENSE-RITE
Perfect-Fit® interchangeable
baffle gasket system



STAINLESS STEEL CONSTRUCTION

The **BFL-2** is a **One-Size-Fits-All** model that offers maximum dispensing flexibility. This unit is designed to accommodate a variety of 8 oz. to 44 oz. paper, plastic or foam cups with rim diameters ranging in size from 3"–4½". This model comes in two under counter lengths: 22" or 19". The BFL-2 models require a 5¼" hole cut-out.



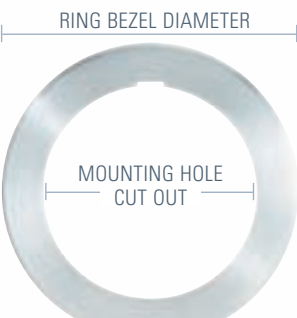
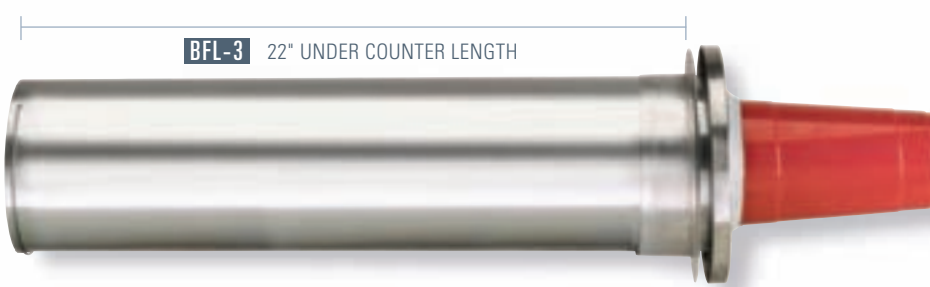
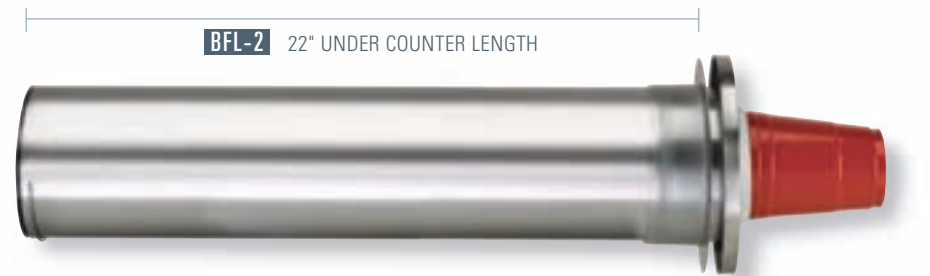
The **BFL-3** is the ideal dispenser for jumbo size drink cups and deli containers. This unit is designed to accommodate a variety of 44 oz. to 64 oz. paper, plastic or foam cups with rim diameters ranging in size from 4½"–5½". The BFL-3 model requires a larger 5¾" hole cut-out.

• Above models include multiple silicone baffles and are for use with the cup diameter range listed. **NOTE:** Ounce capacities are provided for reference only. Always verify cup rim diameter prior to ordering.

• Above models ship with 2 different compression springs "F" & "P". See chart on page 27 for details.

Model Number	Cup Rim Diameter Range	Under Counter Length	Ring Bezel Diameter	Mounting Hole Cut-Out
BFL-2	3"-4½"	22"	6⅞"	5¼"
BFL-2S	3"-4½"	19"	6⅞"	5¼"
BFL-3	4½"-5½"	22"	7⅞"	5¼"

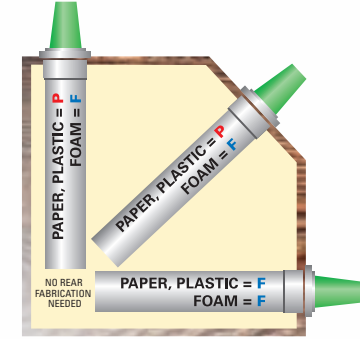
BFL-2, BFL-2S AND BFL-3 SERIES PERFECT-FIT® IN-COUNTER INTERCHANGEABLE BAFFLE CUP DISPENSERS



The BFL Series accommodates a variety of cup sizes ranging from 8 oz. to 64 oz. Always verify cup rim diameter prior to ordering.

SIZE-RITE	
MODEL	APPROX CUP SIZE
BFL-2	8 oz. to 44 oz.
BFL-2S	8 oz. to 44 oz.
BFL-3	44 oz. to 64 oz.

Spring Configurations ▾



Cup Type	Position	Spring
Foam Cups	: Any Position	: F Spring
Paper Cups	: Horizontal	: F Spring
Plastic Cups	: Horizontal	: F Spring
Paper Cups	: Angled	: P Spring
Plastic Cups	: Angled	: P Spring
Paper Cups	: Vertical	: P Spring
Plastic Cups	: Vertical	: P Spring

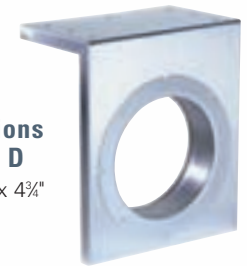
Dispensers ship with both the "F" and "P" compression springs. Single spring models are available; see price list for additional information.

Color Ring Bezels ▾

Stainless ring bezels are standard. Optional powder coated ring bezels are available in these popular colors:

- **BLACK RIDGE** (matte textured) 
- **RED** (high gloss) 

Under Counter Bracket ▾



The optional **UCMB-2** stainless steel under counter bracket mounts to any flat surface or wire shelf creating a faceplate to mount a BFL-2 cup dispenser. Maximum counter lip is 1⅞".

STAINLESS STEEL CONSTRUCTION

Included Cup Dispensers ▾

The **DISPENSE-RITE** BFL-2 cup dispenser is included with these cabinet models.



See pages 26–27 for additional details.



BFL-R-2SS

BFL-R-3SS

BFL-R-4SS

The **BFL-R Series** Countertop Cup Dispensing Cabinets feature BFL-2 stainless steel cup dispensers combined with a quality stainless steel cabinet.

Cabinets dispense a variety of 8 oz. to 44 oz. paper, plastic or foam cups with rim diameters ranging in size from 3" – 4½".

Reinforced welded stainless steel cabinet construction provides long term durability. Quick-release mounting brackets allow simple and fast dispenser removal for cleaning or adjustment.

Model Number	Number of BFL-2 Dispensers	Cup Sizes	Cup Rim Diameter Range	Cabinet Dimensions H x W x D
BFL-R-2SS	2	8 to 44 oz.	3"–4½"	16½" x 8½" x 23"
BFL-R-3SS	3	8 to 44 oz.	3"–4½"	24½" x 8½" x 23"
BFL-R-4SS	4	8 to 44 oz.	3"–4½"	32½" x 8½" x 23"

Key Features ▾

- ONE-SIZE-FITS-ALL
- 8 oz. to 44 oz. Cup Sizes
- Interchangeable Baffle System
- Integrated Lid, Straw and Condiment Organizer
- Paper, Plastic or Foam Cups
- Quick-Release Brackets
- NSF Listed Cup Dispensers

Color Ring Bezels ▾

Stainless ring bezels are standard. Optional powder coated ring bezels are available in these popular colors:

- BLACK RIDGE (matte textured)
- RED (high gloss)



Model Number	Number of BFL-2 Dispensers	Cup Sizes	Cup Rim Diameter Range	Cabinet Dimensions H x W x D
BFL-L-2SS	2	8 to 44 oz.	3"-4½"	22¾" x 8⅝" x 23½"
BFL-L-3SS	3	8 to 44 oz.	3"-4½"	29⅝" x 8⅝" x 23½"
BFL-L-2X2SS	4	8 to 44 oz.	3"-4½"	22½" x 16½" x 22¾"



BFL-L-2X2SS



BFL-L-2SS

BFL-L-3SS

The **BFL-L Series** Countertop Cup & Lid Dispensing Cabinets feature BFL-2 stainless steel cup dispensers combined with a quality stainless steel cabinet.

Unique cabinet design incorporates a removable ABS plastic top to provide storage for lids, straws, stir-sticks and condiment packets. This durable top removes quickly and easily for cleaning.

Reinforced welded stainless steel cabinet construction provides long term durability. Quick-release mounting brackets allow simple and fast cup dispenser removal for cleaning or adjustment.

STAINLESS STEEL CONSTRUCTION

Included Cup Dispensers ▾

The **DISPENSE-RITE** BFL-2 cup dispenser with matching matte black ring bezel is included with these cabinet models.



See pages 26–27 for additional details.



The **BFL-S Series** Countertop Cup Dispensing Cabinets feature BFL-2 stainless steel cup dispensers combined with a durable and stylish polystyrene cabinet.

Cabinets dispense a variety of 8 oz. to 44 oz. paper, plastic or foam cups with rim diameters ranging in size from 3" – 4½".

Dispensers feature matching matte black ring bezels and a quick-release mounting bracket.

Model Number	Number of BFL-2 Dispensers	Cup Sizes	Cup Rim Diameter Range	Cabinet Dimensions H x W x D
BFL-S-2BT	2	8 to 44 oz.	3"–4½"	16¼" x 8" x 23"
BFL-S-3BT	3	8 to 44 oz.	3"–4½"	24¼" x 8" x 23"
BFL-S-4BT	4	8 to 44 oz.	3"–4½"	32¼" x 8" x 23"

ONE-SIZE-FITS-ALL CUP DISPENSING CABINETS

**BFL
SERIES**

The **BFL-C Series** Countertop Combination Dispensing Cabinets feature BFL-2 cup dispensers and include built-in storage for lids and straws.

Cabinets dispense a variety of 8 oz. to 44 oz. paper, plastic or foam cups with rim diameters ranging in size from 3" – 4½". Divided straw compartment accommodates standard and jumbo length straws.

Dispensers feature matching matte black ring bezels and a quick-release mounting bracket.

Model Number	Number of BFL-2 Dispensers	Cup Sizes	Cup Rim Diameter Range	Cabinet Dimensions H x W x D
BFL-C-2BT	2	8 to 44 oz	3"-4½"	16¼" x 13" x 23"
BFL-C-3BT	3	8 to 44 oz	3"-4½"	24¼" x 13" x 23"
BFL-C-4BT	4	3"-4½"	32¼" x 13" x 23"	



BLACK POLYSTYRENE CONSTRUCTION

Key Features ▾

- ONE-SIZE-FITS-ALL
- 8 oz. to 44 oz. Cup Sizes
- Interchangeable Baffle System
- Angled Lid Compartments
- High Capacity Straw Organizer
- Paper, Plastic or Foam Cups
- NSF Listed Cup Dispensers

Cup Sizing Chart ▾

SIZE-RITE		SIZE-RITE	
MODEL	APPROX CUP SIZE	MODEL	APPROX CUP SIZE
BFL-S-2BT	8 oz. to 44 oz.	BFL-C-2BT	8 oz. to 44 oz.
BFL-S-3BT	8 oz. to 44 oz.	BFL-C-3BT	8 oz. to 44 oz.
BFL-S-4BT	8 oz. to 44 oz.	BFL-C-4BT	8 oz. to 44 oz.

INNOVATIVE COMBINATION DISPENSING

BFL-C SERIES COUNTERTOP INTERCHANGEABLE BAFFLE **ONE-SIZE-FITS-ALL** CUP DISPENSING CABINETS WITH BUILT-IN LID & STRAW ORGANIZERS

The innovative **BFL-C Series** combination dispensing cabinets feature BFL-2 One-Size-Fits-All cup dispensers and include built-in storage for lids and straws.

Cabinets dispense a variety of 8 oz. to 44 oz. paper, plastic or foam cups with rim diameters ranging in size from 3" – 4½".

Reinforced welded stainless steel cabinet construction provides long term durability. Quick-release mounting brackets allow simple and fast dispenser removal for cleaning or baffle replacement.



Cabinets can be ordered with the cup dispensers on either the right or left side. Combination Cup, Lid and Straw Dispensing Cabinets offer maximum dispensing flexibility and provide convenient accessory to drink accessory items.

DISPENSE-RITE quality stainless steel cabinets are designed to provide long lasting trouble-free cup dispensing.

STAINLESS STEEL CONSTRUCTION

ONE-SIZE-FITS-ALL CUP DISPENSING CABINETS

**BFL
SERIES**

Model Number	Number of BFL-2 Dispensers	Cup Sizes	Cup Rim Diameter Range	Cabinet Dimensions H x W x D
BFL-C-4RSS	4	8 to 44 oz.	3"-4½"	32½" x 13" x 23"
BFL-C-4LSS	4	8 to 44 oz.	3"-4½"	32½" x 13" x 23"
BFL-C-3RSS	3	8 to 44 oz.	3"-4½"	24½" x 13" x 23"
BFL-C-3LSS	3	8 to 44 oz.	3"-4½"	24½" x 13" x 23"

Key Features ▾

- ONE-SIZE-FITS-ALL
- 8 oz. to 44 oz. Cup Sizes
- Interchangeable Baffle System
- Angled Lid Compartments
- High Capacity Straw Organizer
- Paper, Plastic or Foam Cups
- Quick Release Brackets
- NSF Listed Cup Dispensers

Cup Sizing Chart ▾

The BFL-C Series accommodates a variety of cup sizes ranging from 8 oz. to 44 oz. Always verify cup rim diameter prior to ordering.

SIZE-RITE

MODEL	APPROX CUP SIZE
BFL-C-4RSS	8 oz. to 44 oz.
BFL-C-4LSS	8 oz. to 44 oz.
BFL-C-3RSS	8 oz. to 44 oz.
BFL-C-3LSS	8 oz. to 44 oz.

Color Ring Bezels ▾

Stainless ring bezels are standard. Optional powder coated ring bezels are available in these popular colors:

- BLACK RIDGE (matte textured)



- RED (high gloss)



Included Cup Dispensers ▾

The **DISPENSE-RITE** BFL-2 cup dispenser is included with these cabinet models.



See pages 26-27 for additional details.



BFL-C-4RSS



BFL-C-4LSS



BFL-C-3RSS



BFL-C-3LSS

STAINLESS STEEL CONSTRUCTION

UNMATCHED DISPENSING PERFORMANCE

ECL SERIES IN-COUNTER FIXED DIAMETER CUP DISPENSERS

DISPENSE-RITE ECL Series cup dispensers are designed to combine simplicity with dependability for long-term reliability and maximum cost savings.

The exclusive non-adjustable design uses a series of custom fixed embossings and a calibrated compression spring to accurately dispense a variety of paper, plastic and foam cups and containers ranging in size from 6 oz. to 64 oz. Damage to the cup rim is completely eliminated with this unique dispenser design.

DISPENSE-RITE
non-adjustable custom
fixed embossings



For over 60 years our high volume customers have enjoyed the cost savings from the fixed dispenser's long lasting trouble-free operation. It saves our customers time and money. The pioneering design of the original ECL dispenser has set the standard by which all cup dispensers are measured today.

DISPENSE-RITE manufactures the ECL Series fixed diameter cup dispensers to the exacting specifications of a cup's outside rim diameter. We offer a complete selection of custom models to dispense all popular cup types and sizes.



Minimum order quantities and special lead times apply for ECL Series cup dispensers. A sample sleeve of cups is required for proper dispenser sizing. Please contact a **DISPENSE-RITE** customer service representative for additional details and ordering information.

STAINLESS STEEL CONSTRUCTION

ECL SERIES IN-COUNTER FIXED DIAMETER CUP DISPENSERS

PERFECT SIZING

Specifically sized to fit your cup and offered for horizontal, angled or vertical installation. The ECL Series cup dispensers are available in three mounting configurations:

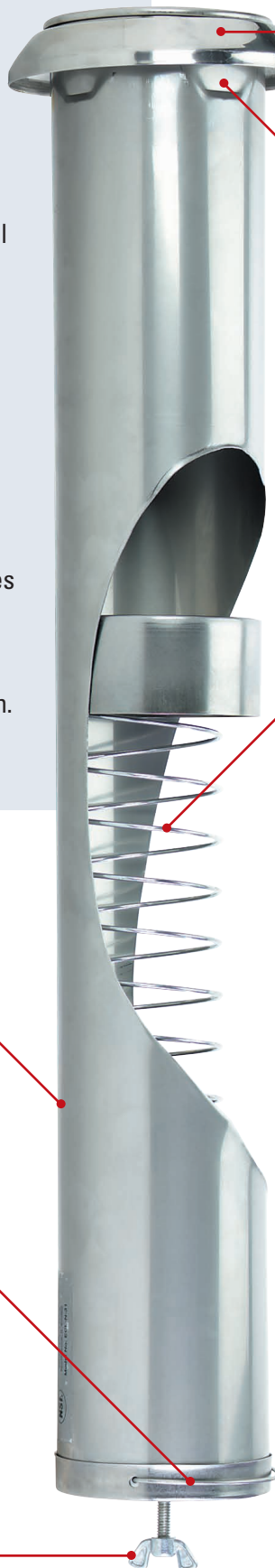
- Pull-type Surface Mounted
- Spring-Loaded Surface Mounted
- Spring-Loaded In-Counter Mounted

RELIABLE

Quality, stainless steel combined with one-piece welded construction, ensures years of trouble-free operation.

SAFE & SANITARY

No exposed sharp edges to cut fingers on. All models are NSF Listed.



Unique ring bezel design keeps liquids and solids from entering the dispenser's body.

DISPENSE-RITE's exclusive fixed embossings for positive dispensing action. Nothing to turn or twist; no more lost or damaged parts.

Calibrated compression spring allows smooth dispensing in vertical, angled and horizontal mounting positions.

One piece welded construction for maximum strength ensures extended, trouble-free operation.

Spring clip lock allows quick disassembly without the use of hand tools.

Weld stud and locking wing nut mount for positive positioning in counter. Dispenser stays installed; does not pull out except for cleaning. No tools required for installation.

SHOW US YOUR CUP
we have the *RITE* dispenser for it!



The ECL Series accommodates a variety of paper, plastic and foam cup & container sizes ranging from 6 oz. to 64 oz.

STAINLESS STEEL CONSTRUCTION

SURFACE OR STAND MOUNTED CUP & LID DISPENSERS

SEE PAGES 38-39 FOR COUNTERTOP STANDS AND OPTIONAL MOUNTING BRACKETS



DISPENSE-RITE cup & lid dispensers on pages 36-37 include mounting brackets for attaching to walls or any flat surface.

Dispensers can also be stand mounted as shown here.

See pages 38-39 for additional information on this and other stands.

Model Number	Cup Rim Diameter Range	Tube Diameter	Tube Length	Paper/Plastic Cup Sizes	Foam Cup Sizes
PULL-TYPE SURFACE OR STAND MOUNTED CUP DISPENSERS					
ADJ-NW-21	2 ⁵ / ₈ "-3 ³ / ₃₂ "	3 ⁵ / ₁₆ "	25 ¹ / ₂ "	6 oz. to 12 oz.	6 oz. to 8 oz.
ADJ-NW-31	2 ⁷ / ₈ "-3 ¹ / ₂ "	3 ¹¹ / ₁₆ "	25 ¹ / ₂ "	12 oz. to 22 oz.	8 oz. to 12 oz.
ADJ-NW-81	3 ¹ / ₄ "-3 ⁷ / ₈ "	4 ¹ / ₈ "	25 ¹ / ₂ "	14 oz. to 24 oz.	12 oz. to 24 oz.
ADJ-NW-101	3 ³ / ₄ "-4 ⁵ / ₁₆ "	4 ⁵ / ₈ "	25 ¹ / ₂ "	32 oz.	32 oz.
ADJ-NW-151	4 ¹ / ₈ "-4 ³ / ₄ "	4 ⁷ / ₈ "	25 ¹ / ₂ "	44 oz.	32 oz. to 44 oz.
SPRING-LOADED SURFACE OR STAND MOUNTED CUP DISPENSERS					
ADJ-NS-21	2 ⁵ / ₈ "-3 ³ / ₃₂ "	3 ⁵ / ₁₆ "	25 ¹ / ₂ "	6 oz. to 12 oz.	6 oz. to 8 oz.
ADJ-NS-31	2 ⁷ / ₈ "-3 ¹ / ₂ "	3 ¹¹ / ₁₆ "	25 ¹ / ₂ "	12 oz. to 22 oz.	8 oz. to 12 oz.
ADJ-NS-81	3 ¹ / ₄ "-3 ⁷ / ₈ "	4 ¹ / ₈ "	25 ¹ / ₂ "	14 oz. to 24 oz.	12 oz. to 24 oz.
ADJ-NS-101	3 ³ / ₄ "-4 ⁵ / ₁₆ "	4 ⁵ / ₈ "	25 ¹ / ₂ "	32 oz.	32 oz.
ADJ-NS-151	4 ¹ / ₈ "-4 ³ / ₄ "	4 ⁷ / ₈ "	25 ¹ / ₂ "	44 oz.	32 oz. to 44 oz.

ADJ-NW & ADJ-NS ADJUSTABLE CUP DISPENSERS

Simple and fast adjustment of five stainless steel models will accurately dispense cups with rim diameters ranging in size from 2⁵/₈"-4³/₄".

Dispensers are shipped with two sets of stainless steel mounting brackets and can be mounted to a wall or surface. Countertop stands are also available. All models are NSF listed.

PULL-TYPE DISPENSERS



SPRING-LOADED DISPENSERS



NSF

STAINLESS STEEL CONSTRUCTION

SURFACE OR STAND MOUNTED CUP & LID DISPENSERS

PULL-TYPE SELF ADJUSTING PORTION CUP & LID DISPENSERS



SFL-ADJ

SFL-TLD

TUBULAR LID DISPENSERS



TLD-2-2

TLD-3-3

SFL-ADJ & SFL-TLD PORTION CUP & LID DISPENSERS

Stainless steel units are designed to dispense a variety of 2 oz. to 6 oz. cups and containers. Ideal for use with portion cups for condiments or dressings. Mounts to a wall or surface. Countertop stands are also available (see page 39).

TLD-2-2 & TLD-3-3 TUBULAR LID DISPENSERS

Stainless steel lid dispensers mount to a wall or surface or they can be used with a countertop stand (see page 38).

Dispensers are shipped with two sets of stainless steel mounting brackets and hardware.

Model Number	Cup / Lid Rim Diameter	Tube Diameter	Tube Length	Paper/Plastic Sizes	Foam Sizes
PULL-TYPE, SELF ADJUSTING SURFACE OR STAND PORTION CUP & LID DISPENSERS					
SFL-ADJ	2 ³ / ₈ "-2 ⁷ / ₈ "	3 ⁵ / ₈ "	12"	2 oz. to 6 oz.	2 oz. to 6 oz.
SFL-TLD	2"-3"	3 ¹ / ₈ "	12"	2 oz. to 6 oz. LIDS	2 oz. to 6 oz. LIDS
Model Number	Max Lid Rim Diameter	Max Lid Size	Tube Diameter	Tube Length	Number of Lid Sections
SURFACE OR STAND MOUNTED TUBULAR LID DISPENSERS					
TLD-2-2	4 ¹ / ₈ "	6 oz. to 24 oz.	4 ¹ / ₄ "	25 ¹ / ₂ "	2
TLD-3-3	4 ³ / ₄ "	12 oz. to 44 oz.	4 ⁷ / ₈ "	25 ¹ / ₂ "	3

STAINLESS STEEL CONSTRUCTION

COUNTERTOP CUP & LID DISPENSING STANDS

STAINLESS STEEL CONSTRUCTION



ARS-4



ARS-4 shown with ADJ-NW and TLD Series dispensers. See pages 36-37 for additional details.



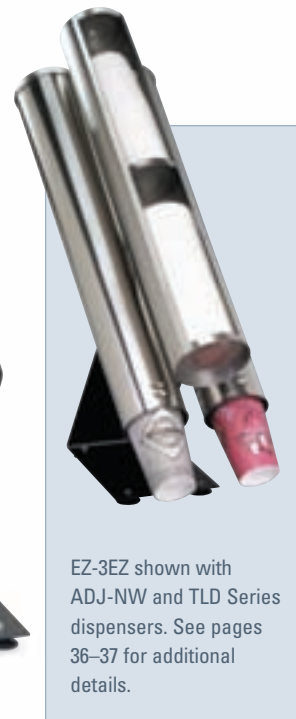
ARS-6



ARS-6 shown with ADJ-NW and TLD Series dispensers. See pages 36-37 for additional details.



EZ-3EZ



EZ-3EZ shown with ADJ-NW and TLD Series dispensers. See pages 36-37 for additional details.

All **DISPENSE-RITE** stands feature quality components for long lasting dispensing reliability. Simply pick a stand and specify the proper dispenser(s) desired. See pages 36-37 for compatible cup and lid dispensers.

ARS-4 & ARS-6 ROTATING STANDS

Rotating dispensing stands may be ordered complete with any ADJ-NW or TLD Series dispensers giving you a variety of options for custom configurations. The quick-release mounting brackets attach dispensers to these stands easily.

EZ-3EZ STATIONARY STAND

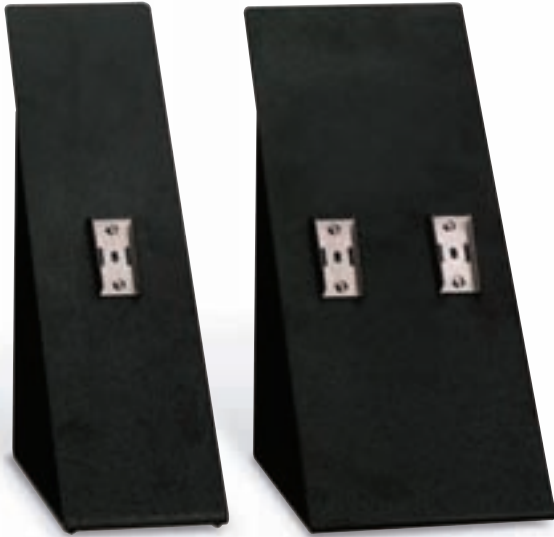
Stationary dispensing stand can be ordered complete with any ADJ-NW or TLD Series dispensers and utilize the same easy-to-use mounting brackets.

Model Number	Maximum Number of Dispensers	Dimensions H x W x D
COUNTERTOP DISPENSING STANDS FOR USE WITH ADJ-NW AND TLD SERIES		
ARS-4	4	40" x 15" x 15"
ARS-6	6	40" x 15" x 15"
EZ-3EZ	3	29" x 15" x 15"

COUNTERTOP STANDS AND SURFACE MOUNTING BRACKETS

THE STANDS AND MOUNTING BRACKETS SHOWN HERE ARE FOR USE WITH THE PORTION CUP AND TUBULAR LID DISPENSERS ON PAGES 36-37

SFL-STAND-1 & SFL-STAND-2 are for use with the SFL Series portion cup & lid dispensers shown on page 37.



SFL-STAND-1

SFL-STAND-2

SFL-STAND-2 shown here with SFL-ADJ and SFL-TLD portion cup & lid dispensers



Model Number	Number of Dispenser Attachments	Dimensions H x W x D
COUNTERTOP STANDS FOR USE WITH SFL SERIES		
SFL-STAND-1	1	15" x 5" x 11¼"
SFL-STAND-2	2	15" x 7½" x 11¼"
WALL AND MACHINE MOUNTING BRACKETS FOR USE WITH ADJ-NW and TLD SERIES CUP AND LID DISPENSERS		
WMB-3	3	4" x 17¾" x 1"
MMB-3	3	21" x 3" x 1"



WMB-3



WMB-3 WALL MOUNT BRACKET & MMB-3 MACHINE MOUNT BRACKET each hold three ADJ-NW Series Pull-Type cup dispensers and /or TLD Series lid dispensers.



Multiple dispensers easily mount to the optional stainless steel wall and machine mount brackets.



Brackets can be mounted left or right hand facing.

MMB-3

STAINLESS STEEL CONSTRUCTION

▽ LID, STRAW & CONDIMENT ORGANIZERS WITH REMOVABLE DIVIDERS



NLO-1B



NLO-CR



WLO-1B

MAXIMUM ORGANIZATION IN A MINIMUM AMOUNT OF SPACE

The **NLO-1B**, **NLO-CR** & **WLO-1B** models feature durable polystyrene construction and offer an easy way to organize lids, straws or condiments. All units have removable section dividers for custom configuration. The NLO-CR model includes a removable insulated storage container designed to maintain safe temperatures for individual creamers.

Model Number	Item Description	Dimensions H x W x D
NLO-1B	Black Polystyrene Narrow Organizer	16½" x 8" x 20½"
NLO-CR	Black Polystyrene Organizer	16½" x 8" x 20½"
WLO-1B	Black Polystyrene Wide Organizer	16½" x 15" x 20½"

▽ LID, STRAW & CONDIMENT ORGANIZERS



NLS-1

accepts up to
64 oz. lids



WLS-1

The **NLS-1** & **WLS-1** models feature stainless steel welded construction and an easy to clean ABS plastic top. The narrow and wide models are great for countertop applications. These units are ideal for merchandising single-serve coffee, tea and hot chocolate packets or simply organizing lids, straws, stir sticks and condiments.

Model Number	Item Description	Dimensions H x W x D
NLS-1	Stainless Steel Narrow Organizer	11¾" x 8½" x 22¾"
WLS-1	Stainless Steel Wide Organizer	11¾" x 16½" x 22¾"

▽ LID, STRAW & CONDIMENT ORGANIZERS

The **NLO-CTVL**, **NLO-WVL** & **MICRO-1** models are designed with multiple sections for custom configuration. The MICRO-1 model is ideal for applications where countertop space is limited.

The **NLS-1BT**, **WLS-1BT** & **NSLC-1BT** models feature a sleek design and an easy to clean ABS plastic top. The NSLC-1BT model includes a CMND-1 napkin dispenser which accommodates full fold napkin sizes ranging from 4½"-5" x 6½".

All organizers on this page feature durable polystyrene construction and offer a variety of space saving dispensing options.

Model Number	Item Description	Dimensions H x W x D
NLO-CTVL	Black Polystyrene Organizer	20" x 13½" x 22½"
NLO-WVL	Black Polystyrene Organizer	20¼" x 11½" x 21¼"
MICRO-1	Black Polystyrene Organizer	4½" x 8" x 11½"
NLS-1BT	Black Polystyrene Narrow Organizer	9½" x 8½" x 23½"
WLS-1BT	Black Polystyrene Wide Organizer	9½" x 16½" x 23"
NSLC-1BT	Black Polystyrene w/Napkin Dispenser	15¾" x 8½" x 24½"



NLO-CTVL



NLO-WVL



Ideal for use when space is limited.

MICRO-1



NLS-1BT



WLS-1BT



NSLC-1BT

BLACK POLYSTYRENE CONSTRUCTION

REINFORCED WELDED WIRE CONSTRUCTION

WR-CT-LID



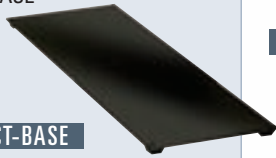
WR-CT-4 shown with optional WR-CT-LID

WR-CT-1-BS

The WR-CT-1-BS comes standard with the weighted WR-CT-BASE shown here.

The optional WR-CT-BASE is available for all other WR-CT Series cup dispensing racks.

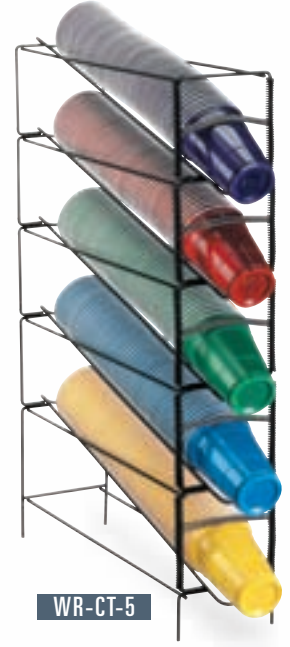
WR-CT-BASE



WR-CT-3



WR-CT-4



WR-CT-5

WR-CT SERIES CUP & LID DISPENSING RACKS

These units dispense 6 oz. to 44 oz. paper, plastic or foam cups with rim diameters ranging from 2 3/8" - 4 3/4". Features the simple and fast EZ-Twist adjustment mechanism, a **DISPENSE-RITE** exclusive. Reinforced welded construction and durable powder coated finish provide long term reliability.

Model Number	Item Description	Dimensions H x W x D
WR-CT-1-BS	1 Section Vertical Dispensing Rack with Base	8 1/2" x 6 1/4" x 20"
WR-CT-3	3 Section Vertical Dispensing Rack	19 1/4" x 6 1/4" x 20"
WR-CT-4	4 Section Vertical Dispensing Rack	24 3/4" x 6 1/4" x 20"
WR-CT-5	5 Section Vertical Dispensing Rack	29 3/4" x 6 1/4" x 20"
WR-CT-LID	1 Section Optional Lid Chute	3 1/4" x 6 1/8" x 20"
WR-CT-BASE	Optional Weighted Base	1/2" x 6 1/4" x 18 1/2"



WR-3



WR-4



WR-5



WR-STAND



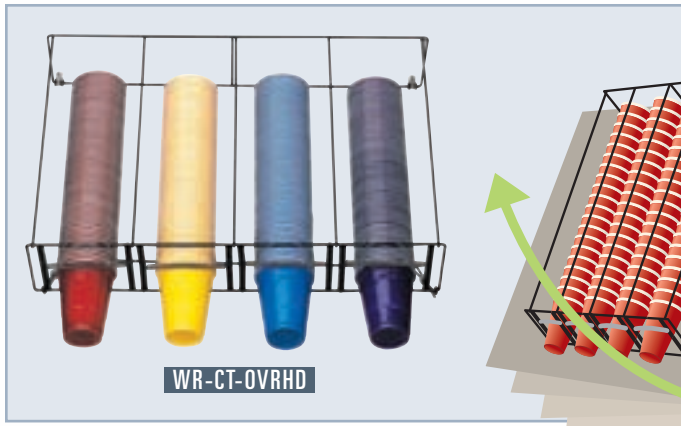
WR-STRAW

WR SERIES COUNTERTOP CUP & LID ORGANIZERS

These versatile wire racks accommodate a variety of cup & lid sizes and offer maximum organization in a minimum amount of counter space. The organizers may be ordered with the optional angled stand and/or straw holder shown to the left.

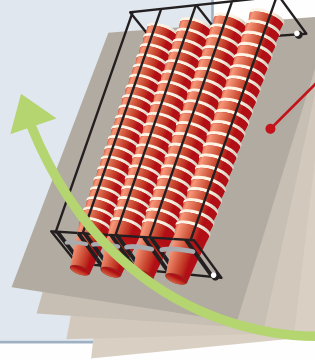


Model Number	Item Description	Dimensions H x W x D
WR-3	3 Sections: (1) 3 1/2"; (1) 4 1/4"; (1) 4 3/4"	8 1/2" x 14 1/2" x 5"
WR-4	4 Sections: (4) 4 1/8"	8 1/2" x 18 1/2" x 5"
WR-5	5 Sections: (1) 3 1/2"; (2) 4 1/4"; (2) 4 3/4"	8 1/2" x 23" x 5"
WR-STAND	Optional Angled Stand	11" x 5 3/4" x 15"
WR-STRAW	Optional Straw Holder	4 5/8" x 3 1/8"



WR-CT-OVRHD

WR-CT-OVRHD can be mounted overhead in various angled mounting positions.



WR-CC-22

Mounting hardware is included with the WR-CT-OVRHD and WR-CC-22.

WR-CT-OVRHD SURFACE-MOUNT DISPENSING RACK

Overhead wire cup dispenser rack accommodates 6 oz. to 44 oz. paper, plastic or foam cups with rim diameters ranging from 2⁵/₈" – 4³/₄". Features the simple and fast EZ-Twist adjustment mechanism. Unique design allows for various angled mounting and overhead positions.

WR-CC-22 SURFACE-MOUNTED CUP CADDY

This unique rack stores cups and containers up to 5" in diameter and mounts easily to any flat 22" wide vertical surface.

Model Number	Item Description	Dimensions H x W x D
WR-CT-OVRHD	Surface Mount Cup Dispenser Rack	6 ¹ / ₈ " x 26 ¹ / ₄ " x 18 ¹ / ₂ "
WR-CC-22	Stainless Steel Wire Cup Caddy	19" x 22" x 5 ¹ / ₂ "



WR-COND-3



WR-COND-6



WR-BOTL-3



WR-BOTL-6

WR-COND & WR-BOTL SERIES ORGANIZERS

Countertop organizers provide versatile dispensing applications. WR-COND organizers include removable plastic storage bins. WR-BOTL Series organizers accommodate most standard bottle sizes. Units can be attached together to create multiple dispensing configurations. Reinforced welded construction and durable powder coated finish provide long term reliability.

Model Number	Item Description	Dimensions H x W x D
WR-COND-3	3 Compartment Organizer	18 ³ / ₈ " x 5 ³ / ₄ " x 15 ³ / ₄ "
WR-COND-6	6 Compartment Organizer	18 ³ / ₈ " x 11 ¹ / ₂ " x 15 ³ / ₄ "
WR-BOTL-3	3 Section Bottle Holder	7 ¹ / ₂ " x 4 ¹ / ₄ " x 13 ¹ / ₄ "
WR-BOTL-6	6 Section Bottle Holder	7 ¹ / ₂ " x 9" x 13 ¹ / ₄ "

REINFORCED WELDED WIRE CONSTRUCTION



PL-CT-LID

PL-CT-DOME



PL-CT-2BT

PL-CT-3BT

PL-CT-4BT

PL-CT-5BT

MAXIMUM DISPENSING IN A MINIMUM AMOUNT OF SPACE

PL-CT SERIES COUNTERTOP OR SURFACE MOUNT CUP & LID DISPENSING CABINETS

Countertop Cup Dispensing Cabinets accommodate 6 oz. to 44 oz. paper, plastic or foam cups with rim diameters ranging from 2 $\frac{5}{8}$ " – 4 $\frac{3}{4}$ ".

These unique spring-loaded models feature the simple and fast EZ-Twist adjustment mechanism, a **DISPENSE-RITE** exclusive. Compact design requires only 5 $\frac{1}{2}$ " W x 20 $\frac{1}{4}$ " D of countertop space.

Lid organizers require minimal countertop space.

Model Number	Item Description	Dimensions H x W x D
PL-CT-LID	5 Section Lid & Condiment Organizer	17 $\frac{1}{2}$ " x 5 $\frac{1}{2}$ " x 19"
PL-CT-DOME	5 Section Dome Lid & Condiment Organizer	17 $\frac{1}{2}$ " x 5 $\frac{1}{2}$ " x 19"
PL-CT-2BT	2 Section Dispensing Cabinet	11" x 5 $\frac{1}{2}$ " x 20 $\frac{1}{4}$ "
PL-CT-3BT	3 Section Dispensing Cabinet	16 $\frac{1}{4}$ " x 5 $\frac{1}{2}$ " x 20 $\frac{1}{4}$ "
PL-CT-4BT	4 Section Dispensing Cabinet	21 $\frac{1}{4}$ " x 5 $\frac{1}{2}$ " x 20 $\frac{1}{4}$ "
PL-CT-5BT	5 Section Dispensing Cabinet	26 $\frac{3}{4}$ " x 5 $\frac{1}{2}$ " x 20 $\frac{1}{4}$ "

BLACK POLYSTYRENE CONSTRUCTION

COUNTERTOP CONDIMENT, DOME LID & STRAW ORGANIZERS

Model Number	Item Description	Dimensions H x W x D
HVCD-3BT	3 Section Condiment Organizer	24¼" x 6½" x 14"
HVCD-4BT	4 Section Condiment Organizer	32¼" x 6½" x 14"
TLO-DL-3BT	3 Section Dome Lid & Straw Organizer	24¼" x 6½" x 14"
TLO-DL-4BT	4 Section Dome Lid & Straw Organizer	32¼" x 6½" x 14"

HVCD SERIES CONDIMENT PACKET ORGANIZERS

Countertop organizers feature durable polystyrene construction and provide maximum condiment storage in a minimum amount of space.

TLO-DL SERIES DOME LID & STRAW ORGANIZERS

Countertop dome lid and straw organizers feature durable polystyrene construction. Large openings provide easy accessibility to all dome lid sizes. High capacity straw sections handle standard and jumbo length straws.



HVCD-3BT

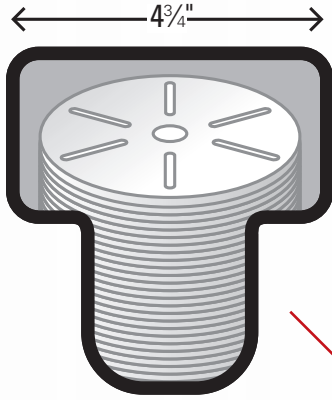
HVCD-4BT

TLO-DL-3BT

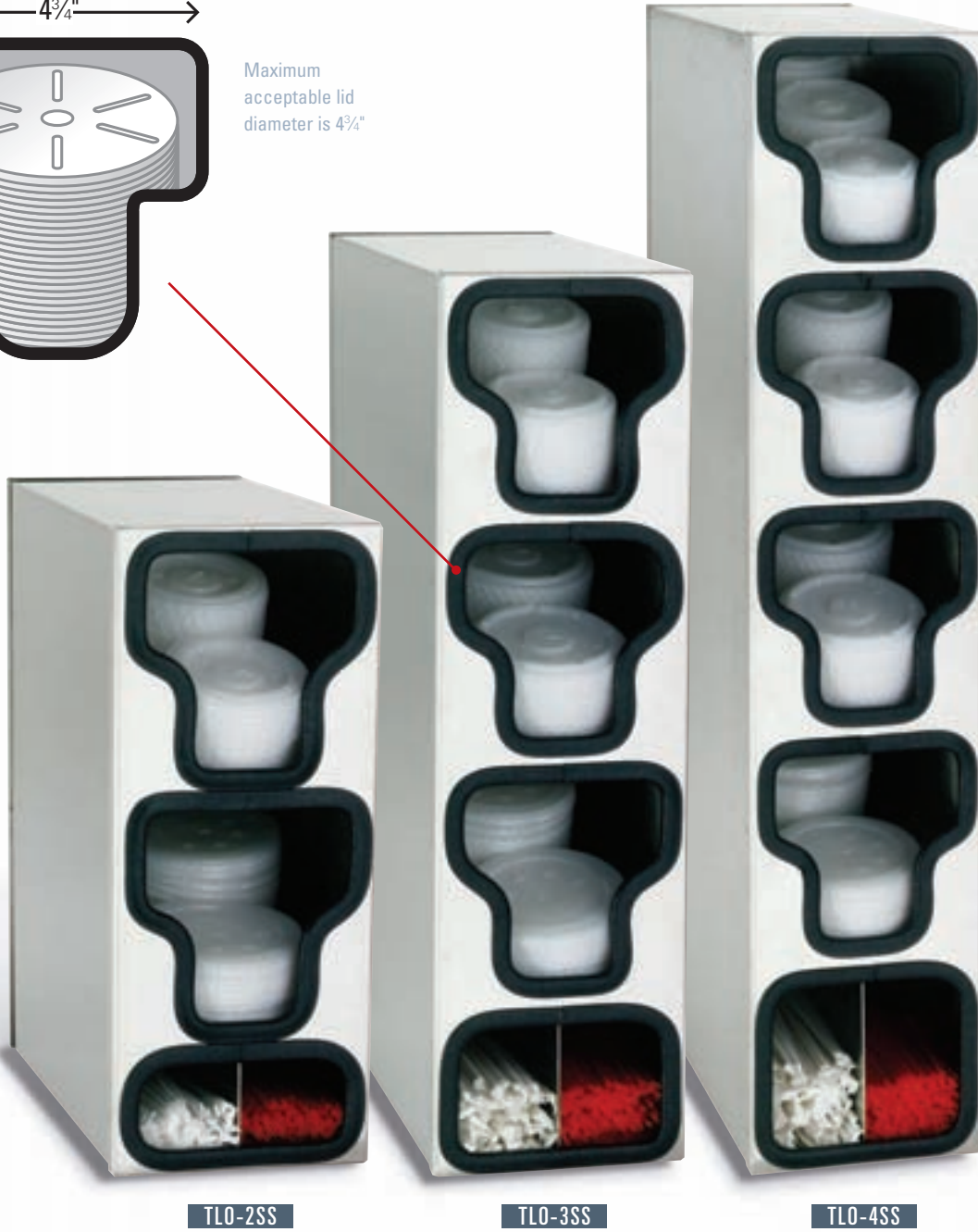
TLO-DL-4BT

BLACK POLYSTYRENE CONSTRUCTION

COUNTERTOP LID & STRAW ORGANIZERS



Maximum acceptable lid diameter is 4 3/4"



STAINLESS STEEL CONSTRUCTION

TLO SERIES COUNTERTOP LID & STRAW ORGANIZERS
 Countertop lid and straw organizers feature quality stainless steel with reinforced welded construction. Units include angled lid compartments and a divided section for standard and jumbo length straws or condiments. Available with two, three or four lid sections these cabinets occupy only 6 1/2" x 14" of countertop space.

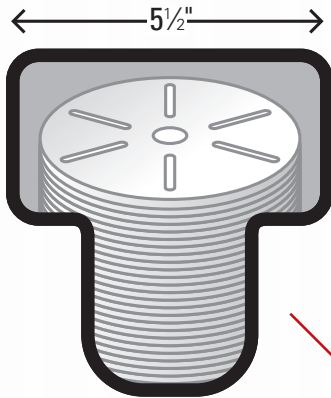
Model Number	Item Description	Dimensions H x W x D
TLO-2SS	2 Section Stainless Steel Organizer	16 1/2" x 6 1/2" x 14"
TLO-3SS	3 Section Stainless Steel Organizer	24 1/2" x 6 1/2" x 14"
TLO-4SS	4 Section Stainless Steel Organizer	32 1/2" x 6 1/2" x 14"

COUNTERTOP LID & STRAW ORGANIZERS

Model Number	Item Description	Dimensions H x W x D
TLO-2BT	2 Section Polystyrene Organizer	16¼" x 6½" x 14"
TLO-3BT	3 Section Polystyrene Organizer	24¼" x 6½" x 14"
TLO-4BT	4 Section Polystyrene Organizer	32¼" x 6½" x 14"

TLO SERIES COUNTERTOP LID & STRAW ORGANIZERS

Countertop lid and straw organizers feature durable polystyrene construction. Units include angled lid compartments and a divided section for standard and jumbo length straw or condiments. Available with two, three or four lid sections these cabinets occupy only 6½" x 14" of countertop space.



Maximum acceptable lid diameter is 5½"



TLO-2BT

TLO-3BT

TLO-4BT

BLACK POLYSTYRENE CONSTRUCTION

▽ LID, STRAW, CONDIMENT & SILVERWARE ORGANIZERS WITH NAPKIN DISPENSER



NLO-LDNH



NLO-ADNH



NLO-SWNH

NLO SERIES COUNTERTOP LID, STRAW, CONDIMENT, NAPKIN & SILVERWARE ORGANIZERS

Countertop units feature durable polystyrene construction. These unique units offer maximum organization in a minimum amount of space. Organizers offer multiple sections for custom configuration. The CT-FULL-BS full fold napkin dispenser accommodates napkin sizes 4½"-5" x 6½".

Model Number	Item Description	Dimensions H x W x D
NLO-LDNH	Multi-Purpose Polystyrene Organizer	14½" x 8½" x 17"
NLO-ADNH	Multi-Purpose Polystyrene Organizer	14½" x 8½" x 17"
NLO-SWNH	Organizer with Silverware Holders	14¾" x 10" x 17"

▽ SILVERWARE & CONDIMENT ORGANIZERS



CTSH-8BT



CTSH-6BT



CTCD-9BT

Inserts are easily removable for cleaning

CTSH & CTCD COUNTERTOP SILVERWARE & CONDIMENT ORGANIZERS

Countertop units feature durable polystyrene construction. These unique units offer maximum organization in a minimum amount of space. CTSH model organizers include silverware holder inserts. CTCD organizers include nine 1 pint inserts. All plastic inserts are easily removable for cleaning.

Model Number	Item Description	Dimensions H x W x D
CTSH-8BT	8 Compartment Silverware Organizer	15¾" x 10⅞" x 18¾"
CTSH-6BT	6 Compartment Silverware Organizer	13" x 10⅞" x 15¾"
CTCD-9BT	9 Compartment Condiment Organizer	7½" x 10¼" x 18"

COUNTERTOP OR SURFACE MOUNT LID, CUP & STRAW ORGANIZERS

Model Number	Item Description	Dimensions H x W x D
CTLD-15	3 Section Adjustable Organizer	8" x 15½" x 5"
CTLD-15A	3 Section Adjustable Organizer with SH-1	8" x 19½" x 5"
CTLD-19	4 Section Adjustable Organizer	8" x 19½" x 5"
CTLD-19A	4 Section Adjustable Organizer with SH-1	8" x 23½" x 5"
CTLD-22	5 Section Adjustable Organizer	8" x 22½" x 5"
CTLD-22A	5 Section Adjustable Organizer with SH-1	8" x 26½" x 5"
SH-1	Optional Straw Holder for CTLD	5" x 4⅞" x 5"
TSD-1S	Surface Mounted Straw Holder	6" H x 3½" Dia.

CTLD SERIES CUP & LID ORGANIZERS

Countertop or surface mount units feature quality stainless steel construction and adjustable dividers to accommodate multiple cup & lid sizes. Each model can be ordered with or without the optional SH-1 Straw Holder.



CTLD-15



CTLD-15A



CTLD-19



CTLD-19A



CTLD-22



CTLD-22A

STAINLESS STEEL CONSTRUCTION

▽ IN-COUNTER HORIZONTAL LID DISPENSERS

LID COMPATIBILITY : PRODUCT DISCLAIMER

LID-1 & LID-2 dispensers are not compatible with all lid types. This product is intended for use with flat slotted cold cup lids. Tightly nested or deeply extruded lids may not be compatible with this product. This product is not intended to be used with flat and contoured hot cup lids or dome lids. To verify lid compatibility please furnish a full sleeve of lids prior to ordering.

LID SERIES IN-COUNTER LID DISPENSERS

Unique lid dispensers offer a sanitary method for storing and dispensing many popular sizes of cold drink cup lids. These stylish and functional dispensers enhance the appearance of any food service operation. The unique dispenser design prevents excessive handling and contamination of lids.

These units are intended primarily for use with 8 oz. to 44 oz. flat cold drink cup lids. The quick-release mounting collar fully supports the dispenser in a horizontal mounting position; no additional support is necessary. Quality stainless steel construction combined with a no-jam design provide long term durability.



LID-1SS

LID-1BB



LID-2SS

LID-2BB

Model Number	Ring Bezel Finish	Lid Rim Diameter Range	Approximate Lid Sizes	Under Counter Length	Ring Bezel Diameter	Mounting Hole Cut-Out
LID-1SS	Stainless Steel	3"-3 $\frac{3}{8}$ "	8 to 24 oz.	22"	6 $\frac{7}{8}$ "	5 $\frac{1}{4}$ "
LID-1BB	Matte Black	3"-3 $\frac{3}{8}$ "	8 to 24 oz.	22"	6 $\frac{7}{8}$ "	5 $\frac{1}{4}$ "
LID-2SS	Stainless Steel	3 $\frac{3}{4}$ "-4 $\frac{5}{8}$ "	32 to 44 oz.	22"	7 $\frac{3}{8}$ "	5 $\frac{3}{4}$ "
LID-2BB	Matte Black	3 $\frac{3}{4}$ "-4 $\frac{5}{8}$ "	32 to 44 oz.	22"	7 $\frac{3}{8}$ "	5 $\frac{3}{4}$ "

▽ COUNTERTOP LID DISPENSING CABINETS



CTC-LID-1SS



CTC-LID-2SS

CTC-LID SERIES COUNTERTOP CABINETS

Quality stainless steel cabinets include LID-1SS and LID-2SS dispensers. Reinforced welded cabinet construction is stackable for custom lid dispensing configurations.

This product is not compatible with all lid types; please refer to the product disclaimer above.

Model Number	Item Description	Dimensions H x W x D
CTC-LID-1SS	Stackable Cabinet with LID-1SS	8 $\frac{1}{2}$ " x 8 $\frac{1}{8}$ " x 23"
CTC-LID-2SS	Stackable Cabinet with LID-2SS	8 $\frac{1}{2}$ " x 8 $\frac{1}{8}$ " x 23"

COUNTERTOP LID, CUP & STRAW ORGANIZERS

Model Number	Item Description	Dimensions H x W x D
MSH-1	4" Modular Straw Holder	6" x 4" x 4"
CTVL-2	2 Sections: One 4" & One 5"	11¼" x 6" x 12¼"
CTVL-3	3 Sections: One 4" & Two 5"	16" x 6" x 18¼"
CTVL-4	4 Sections: Two 4" & Two 5"	20½" x 6" x 24¼"
CTHL-3	3 Sections: Two 4" & One 5"	8" x 13¼" x 5½"
CTHL-4	4 Sections: Three 4" & One 5"	8" x 17¾" x 5½"
CTHL-6	6 Sections: Four 4" & Two 5"	6" x 26½" x 5½"
MLD-1	4" Modular Lid Holder	8" x 4" x 4"
MLD-2	5" Modular Lid Holder	8" x 5" x 5"

COUNTERTOP CUP, LID & STRAW ORGANIZERS

Stylish and versatile clear plastic organizers allow for storage of cups, lids and straws in either a stair step or horizontal configuration.

All CTHL Series models can be used in a countertop or surface mounted application.



CLEAR ACRYLIC CONSTRUCTION

BUILT-IN LID, STRAW & CONDIMENT ORGANIZERS



FMVL-1



FMVL-2



FMVL-3



FMVL-4



FMVDL-3



FMVS-1



FMN-1BT



FMN-1BT

TEXTURED BLACK POLYSTYRENE CONSTRUCTION

Model Number	Item Description	Dimensions H x W x D	Cut-Out Dimensions
FMVL-1	Built-in 1 Section Lid Organizer	7" x 7" x 5½"	5¼" x 5¼"
FMVL-2	Built-in 2 Section Lid Organizer	18" x 7" x 5½"	16¾" x 5¼"
FMVL-3	Built-in 3 Section Lid Organizer	26" x 7" x 5½"	24¾" x 5¼"
FMVL-4	Built-in 4 Section Lid Organizer	33¾" x 7" x 5½"	32¾" x 5¼"
FMVDL-3	Built-in 3 Section Dome Lid & Straw Organizer	26" x 7" x 8"	24¾" x 5¼"
FMTS-1BT	Built-in 1 Section Straw Organizer	6¼" x 11¾" x 5½"	5½" x 10¾"
FMVS-1	Built-in 1 Section Straw Organizer	6" x 7" x 12¼"	4¾" x 5¼"
FMN-1BT	Built-in Dispenser - 4½"-5" x 6½" Napkins	5¼" x 8½" x 5½"	5¼" x 7½"

BLACK POLYSTYRENE CONSTRUCTION

BUILT-IN LID, STRAW & CONDIMENT ORGANIZERS



FML-2



FML-3



FML-4

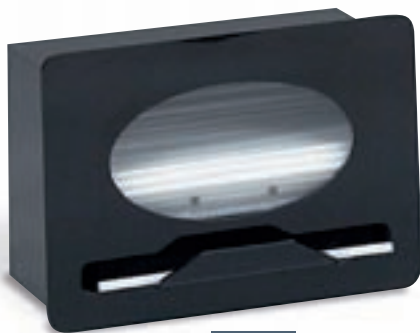


FMC-4



FMC-7

GLOSS BLACK ACRYLIC CONSTRUCTION



FMS-1



FMN-1



FMN-2

Model Number	Item Description	Dimensions H x W x D	Cut-Out Dimensions
FML-2	Built-in 2 Section Lid Organizer	7¼" x 11" x 5½"	6¼" x 10"
FML-3	Built-in 3 Section Lid Organizer	7¼" x 16" x 5½"	6¼" x 15"
FML-4	Built-in 4 Section Lid Organizer	7¼" x 21" x 5½"	6¼" x 20"
FMC-4	Built-in 4 Section Condiment Organizer	7¼" x 12" x 5½"	6¼" x 11"
FMC-7	Built-in 7 Section Condiment Organizer	7¼" x 20" x 5½"	6¼" x 19"
FMS-1	Built-in Unwrapped Straw Dispenser	7¼" x 10½" x 5½"	6¼" x 9½"
FMN-1	Built-in Dispenser - 4½"-5" x 6½" Napkins	6¼" x 8½" x 5¼"	5½" x 7½"
FMN-2	Built-in Dispenser - 3½"-4" x 6½" Napkins	5¼" x 8½" x 5¼"	4¼" x 7½"

GLOSS BLACK ACRYLIC CONSTRUCTION

▽ BUILT-IN NAPKIN DISPENSERS



CMND-1V

CMND SERIES BUILT-IN FULL FOLD NAPKIN DISPENSERS

These napkin dispensers feature quality stainless steel construction.

Units are available for horizontal or vertical applications.

The CMND Series dispenses full fold napkin sizes 4½"–5" x 6½".



CMND-1

Model Number	Item Description	Dimensions H x W x D	Cut-Out Dimensions
CMND-1V	Built-in Vertical Napkin Dispenser	6⅞" x 8⅞" x 12⅞"	5¼" x 7"
CMND-1	Built-in Horizontal Napkin Dispenser	6⅞" x 8⅞" x 12⅞"	5¼" x 7"

▽ TABLETOP & COUNTERTOP NAPKIN DISPENSERS

Model Number	Item Description	Dimensions H x W x D	Napkin Sizes H x W
TT-LOW-BS	Tabletop Low Fold Napkin Dispenser - 2 Sided	5⅝" x 4" x 4¾"	4⅞" x 3½"
TT-MINI-BS	Tabletop Mini Fold Napkin Dispenser - 2 Sided	4½" x 7½" x 6"	3¾" x 6½"
TT-FULL-BS	Tabletop Full Fold Napkin Dispenser - 2 Sided	5⅝" x 7½" x 6¼"	4½"–5" x 6½"
CT-LOW-BS	Countertop Low Fold Napkin Dispenser - 1 Sided	5⅝" x 4⅝" x 11¾"	4⅞" x 3½"
CT-MINI-BS	Countertop Mini Fold Napkin Dispenser - 1 Sided	4½" x 7⅝" x 11¾"	3¾" x 6½"
CT-FULL-BS	Countertop Full Fold Napkin Dispenser - 1 Sided	5⅝" x 7⅝" x 11¾"	4½"–5" x 6½"



TT-LOW-BS



TT-MINI-BS



TT-FULL-BS



CT-LOW-BS



CT-MINI-BS



CT-FULL-BS

▽ BUILT-IN HOLDERS & TRASH CHUTE



TCD-2NB

Hemmed bottom,
no sharp edges



TCD-1

TCD-2

TSD-1C

Model Number	Item Description	Dimensions H x Diameter	Cut-Out Dimensions
TCD-2NB	Drop-in Trash Chute	6" x 7 $\frac{5}{8}$ "	6 $\frac{1}{4}$ "
TCD-1	Drop-in Small Condiment Holder	6" x 6 $\frac{1}{4}$ "	5 $\frac{3}{8}$ "
TCD-2	Drop-in Large Condiment Holder	6" x 7 $\frac{5}{8}$ "	6 $\frac{1}{4}$ "
TSD-1C	Built-in Straw Holder	6" x 5 $\frac{3}{8}$ "	4"

STAINLESS STEEL CONSTRUCTION

▽ COUNTERTOP PACKAGED CREAMER DISPENSERS



CDCD-1BT



SDCD-2BT



SDCD-2BT shown
in a stacked
configuration

Optional
Refreezable
Ice Pack for use
with CDCD-1BT
and SDCD-2BT



ICE-PACK

Model Number	Item Description	Dimensions H x W x D
CDCD-1BT	Condiment / Creamer Organizer	11" x 5" x 12 $\frac{1}{4}$ "
SDCD-2BT	Stackable Condiment / Creamer Organizer	11" x 5 $\frac{1}{2}$ " x 12 $\frac{1}{4}$ "
ICE-PACK	Optional Refreezable Ice Pack	9" x 4 $\frac{1}{4}$ " x 1 $\frac{1}{2}$ "

BLACK POLYSTYRENE CONSTRUCTION

▽ COUNTERTOP STACKABLE CUP DISPENSER & ORGANIZER



NLO-STK-1BT



STL-STK-1BT

Model Number	Item Description	Dimensions H x W x D
NLO-STK-1BT	Stackable Lid, Straw & Condiment Organizer	7 $\frac{1}{8}$ " x 8" x 19 $\frac{1}{8}$ "
STL-STK-1BT	Stackable Cup Dispensing Cabinet	8 $\frac{1}{4}$ " x 8" x 18 $\frac{1}{2}$ "



NLO-STK-1BT and STL-STK-1BT shown in a stacked configuration

NLO-STK-1BT & STL-STK-1BT COUNTERTOP STACKABLE LID, STRAW, CONDIMENT ORGANIZER & CUP DISPENSING CABINET

These durable polystyrene units feature a modular stackable design that allows for custom dispensing configurations.

The short cabinet depth makes these items ideal for areas with limited counter space.

The STL-STK-1BT includes a STL-2S cup dispenser and easily adjusts for a variety of 8 oz. to 44 oz. paper, plastic or foam cups with rim diameters ranging from 3 $\frac{3}{8}$ "–4 $\frac{1}{2}$ ".

▽ COUNTERTOP CUP, LID, CONDIMENT & COFFEE ORGANIZERS



CCTL-1



VCO-3



VCO-4

CCTL-1 COFFEE ORGANIZER

Multi-purpose organizer accommodates a variety of drink accessory items including cups and condiments.

VCO SERIES VERTICAL ORGANIZERS

Countertop units feature durable polystyrene construction and are ideal for use with condiment packets or lids.

Model Number	Item Description	Dimensions H x W x D
CCTL-1	High Impact Polystyrene Coffee Organizer	2 $\frac{1}{2}$ " x 10" x 14"
VCO-3	3 Section Vertical Organizer	16" x 5 $\frac{1}{4}$ " x 6 $\frac{5}{8}$ "
VCO-4	4 Section Vertical Organizer	21" x 5 $\frac{1}{4}$ " x 6 $\frac{5}{8}$ "

COUNTERTOP CUP, LID, CONDIMENT & STRAW ORGANIZERS

Model Number	Item Description	Dimensions H x W x D
HLCO-3BT	Cup, Lid, Straw & Condiment Organizer	11¾" x 17" x 7½"



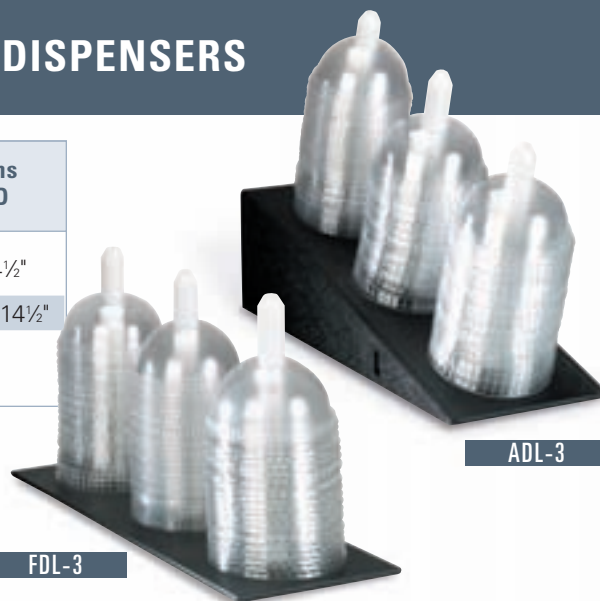
HLCO-3BT

HLCO-3BT CUP, LID, STRAW & CONDIMENT ORGANIZER

Multi-purpose organizer features durable polystyrene construction. For use with cups, lids, straws, stir sticks and condiment packets. This unit can be mounted to a wall or surface or used as a countertop organizer.

▽ COUNTERTOP DOME LID DISPENSERS

Model Number	Item Description	Dimensions H x W x D
FDL-3	3 Section Flat Dome Lid Dispenser	9" x 5" x 14½"
ADL-3	3 Section Angled Dome Lid Dispenser	11¾" x 5½" x 14½"



FDL-3

ADL-3

FDL-3 & ADL-3 COUNTERTOP DOME LID DISPENSERS

The FDL-3 and ADL-3 are designed for use with all dome lid sizes. The ADL-3 features an angled design for improved accessibility and can be surface or counter mounted.

▽ COUNTERTOP COFFEE SLEEVE DISPENSERS



SLV-H-1CL

SLV-H-1BT

SLV-10BT

Model Number	Item Description	Dimensions H x W x D
SLV-H-1CL	Coffee Sleeve Dispenser Clear Acrylic	10" x 6½" x 4½"
SLV-H-1BT	Coffee Sleeve Dispenser Black Polystyrene	10" x 6½" x 4½"
SLV-10BT	Spring Loaded Coffee Sleeve Dispenser - Black Polystyrene	10" x 5¾" x 3¾"

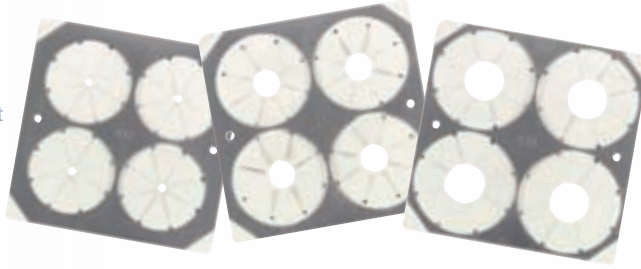
SLV SERIES COFFEE SLEEVE DISPENSERS

These countertop units provide a simple and effective means for storing and dispensing coffee sleeves. The SLV-10BT features a spring loaded design with suction cup feet and can be used in both horizontal and vertical dispensing applications.

BLACK POLYSTYRENE CONSTRUCTION

ICE CREAM CONE DISPENSERS

Replacement baffle plates are available for all cone dispenser models. Contact a **DISPENSE-RITE** representative for more details and proper sizing.



102B

104B

108B

Model Number	Item Description	Dimensions H x W x D
BCDS-BFL	One-Size-Fits-All Boxed Cone Dispenser Stand	15½" x 9" x 11¼"
102B	Small Replacement Baffle for use with BCDS-BFL	6" x 6" x ⅛"
104B	Medium Replacement Baffle for use with BCDS-BFL	6" x 6" x ⅛"
108B	Large Replacement Baffle for use with BCDS-BFL	6" x 6" x ⅛"



705-DS

705-DB

Model Number	Item Description	Dimensions H x W x D
705-DS	30° Side Mount Stainless Steel Cone Dispenser - Cone Diameters 1½" - 3¼"	11¼" x 4¼" x 31"
705-DB	Replacement Baffle for use with 705-DS	11⅝" x 4" x ⅛"



Fits most popular boxed cone sizes



Hinged door closes when not in use to maximize cone freshness

Removable crumb tray simplifies clean up

Chrome plated legs can be easily removed to allow for wall mounting

BCDS-BFL

STAINLESS STEEL & POWDER COATED STEEL CONSTRUCTION

ICE CREAM CONE DISPENSERS & HOLDERS

Model Number	Item Description	Dimensions H x W x D
GFCD-1	Surface Mounted Gravity Fed Cone Dispenser for Cones 1½"-2¼"	31" x 3½"
GFCD-1-BFL	Replacement Baffle for use with GFCD-1	3½" x 5⁄8"
GFCD-2	Surface Mounted Gravity Fed Cone Dispenser for Cones 2¾"-3⅝"	31" x 4¼"
GFCD-2-BFL	Replacement Baffle for use with GFCD-2	4¼" x 5⁄8"



GFCD-1



GFCD-2



GFCD-1-BFL



GFCD-2-BFL

Replacement baffles are available for both GFCD Series Cone Dispensers.



CSG-5L



CTCS-4C



CTCS-6C



CTCS-9C



TD-4

Model Number	Item Description	Dimensions H x W x D
CSG-5L	Acrylic Cone Stand with Guard – (5) 2" Holes	16" x 19" x 5½"
CTCS-4C	Acrylic Cone Stand (4) 1⅝" Holes	5" x 8" x 6¼"
CTCS-6C	Acrylic Cone Stand (6) 1⅝" Holes	5" x 9¼" x 6¼"
CTCS-9C	Acrylic Cone Stand (9) 1⅝" Holes	5" x 9¾" x 9¼"
TD-4	Acrylic 4 Section Topping Dispenser	5⅞" x 13⅝" x 8"

CLEAR PLASTIC CONSTRUCTION

▽ WALL MOUNT ROLL TOWEL DISPENSERS



HFRT-1

Large detection zone for easy and reliable operation



PLRT-1

Impact resistant transparent front

Model Number	Item Description	Dimensions H x W x D
HFRT-1	Hands Free Roll Towel Dispenser	15" x 11¼" x 9¼"
PLRT-1	Push Lever Roll Towel Dispenser	15¾" x 10½" x 8¾"

HFRT-1 HANDS FREE ROLL TOWEL DISPENSER

Automatic hygienic hands-free roll towel dispenser offers an adjustable sheet length. Fits 8" wide, 8" diameter rolls with a 1½"-2" core and a 2¾" stub roll. Requires four "D" size Alkaline batteries.

PLRT-1 PUSH LEVER ROLL TOWEL DISPENSER

Unit features an ADA compliant smooth lever action. Heavy gauge metal back with durable transparent front. Universal design fits most 8" wide roll towels up to an 8" diameter.

▽ WALL MOUNT PULL TOWEL DISPENSERS

Model Number	Item Description	Dimensions H x W x D
MFTD-1	Multi-Fold Towel Dispenser	15¼" x 11¼" x 5"
CPTD-1	Center Pull Towel Dispenser	12½" x 10⅞" x 10⅞"

MFTD-1 MULTI-FOLD TOWEL DISPENSER

Standard towel dispenser accommodates various size towels up to 10¼" long by 4" wide. Designed for easy single towel removal. Double latch lock works with standard metal key. Heavy gauge metal back with durable transparent front.

CPTD-1 CENTER PULL TOWEL DISPENSER

Unique self-adjusting dispensing nozzle allows reliable single-sheet removal. For use with the widest range of towels from heavy to light weight single ply tissue. Holds towel rolls up to 9" high with a 9" diameter. Features an impact resistant transparent cover.



MFTD-1



CPTD-1

IMPACT RESISTANT PLASTIC CONSTRUCTION

▽ SURFACE MOUNT TOILET TISSUE DISPENSERS

Model Number	Item Description	Dimensions H x W x D
SJTD-1	Single 9" Jumbo Tissue Dispenser	11 ³ / ₄ " x 11" x 5 ³ / ₈ "
DJTD-1	Double 9" Jumbo Tissue Dispenser	11 ³ / ₄ " x 20 ¹ / ₂ " x 5 ³ / ₈ "

SJTD-1 SINGLE JUMBO TISSUE DISPENSER

Standard toilet tissue dispenser is for use with all brands of 9" jumbo toilet tissue roles with a 3³/₈" core. Features high impact plastic construction.

DJTD-1 DOUBLE JUMBO TISSUE DISPENSER

Double roll toilet tissue dispenser holds a spare roll. Sliding panel prevents use of spare roll until first roll is depleted, eliminating stub roll waste.



SJTD-1



DJTD-1

▽ WALL MOUNT BULK SOAP DISPENSERS

BLSD-30 BULK LIQUID SOAP DISPENSER

Accommodates 30 ounces of a liquid lotion soaps. Smooth curved design prevents bacteria growth. Transparent face for easy soap level inspection. Large ADA compliant push bar dispenses 1cc per stroke. Not intended for use with pumice.

BLSD-46 BULK LIQUID SOAP DISPENSER

Shares all the same features as the BLSD-30 but with a 46 ounce capacity.

Model Number	Item Description	Dimensions H x W x D
BLSD-30	30 oz. Bulk Soap Dispenser	6 ¹ / ₄ " x 4 ¹ / ₂ " x 4"
BLSD-46	46 oz. Bulk Soap Dispenser	8 ¹ / ₂ " x 5 ¹ / ₄ " x 5 ¹ / ₄ "

Impact resistant transparent face

BLSD-30

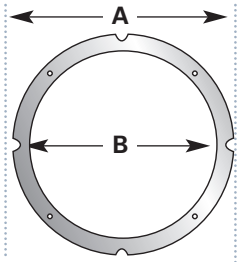


BLSD-46

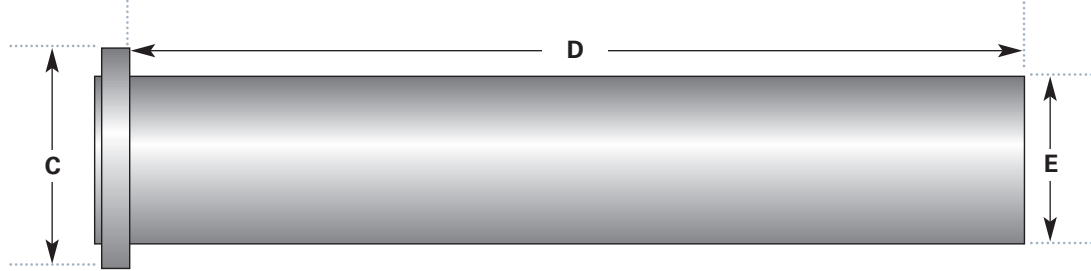


IMPACT RESISTANT PLASTIC CONSTRUCTION

INSTALLATION INSTRUCTIONS



1. Cut hole for mounting bracket (column [B] from chart below).
2. Insert mounting bracket with "UP" arrow to the top for horizontal or angled mounting and to the rear for vertical mounting.
3. Drill four 1/8" (3mm) holes and fasten mounting bracket with supplied screws.
4. Insert cup dispenser with the dispenser's weld seam aligned with "UP" arrow. (ADJ & BFL Series Only)
5. Push dispenser in until flush with counter. Rotate counter-clockwise until tight. (ADJ & BFL Series Only)



ONE-SIZE-FITS-ALL	NSF MODEL	[A]	[B]	[C]	[D]	[E]	CUP RIM DIAMETER RANGE
		MOUNTING BRACKET OUTSIDE DIAMETER	MOUNTING BRACKET CUT OUT	RING BEZEL DIAMETER	UNDER COUNTER LENGTH	TUBE DIAMETER	
✓	STL-2	7" 178mm	5 1/4" 134mm	7 1/8" 181mm	22" 559mm	5" 127mm	3 3/8" – 4 1/2" 79 – 114mm
✓	STL-2S	7" 178mm	5 1/4" 134mm	7 1/8" 181mm	17" 432mm	5" 127mm	3 3/8" – 4 1/2" 79 – 114mm
✓	STL-2L	7" 178mm	5 1/4" 134mm	7 1/8" 181mm	28" 711mm	5" 127mm	3 3/8" – 4 1/2" 79 – 114mm
✓	SLR-2	7" 178mm	5 1/4" 134mm	7 1/8" 181mm	22" 559mm	5" 127mm	3" – 4 1/2" 77 – 114mm
✓	SLR-2S	7" 178mm	5 1/4" 134mm	7 1/8" 181mm	17" 432mm	5" 127mm	3" – 4 1/2" 77 – 114mm
✓	SLR-2L	7" 178mm	5 1/4" 134mm	7 1/8" 181mm	28" 711mm	5" 127mm	3" – 4 1/2" 77 – 114mm
	ADJ-1	5" 127mm	4" 102mm	5 3/8" 137mm	22" 559mm	3 11/16" 94mm	2 1/2" – 3 1/2" 64 – 89mm
✓	ADJ-2	6 3/4" 172mm	5 1/4" 134mm	6 7/8" 175mm	22" 559mm	4 7/8" 124mm	3" – 4 5/8" 77 – 118mm
✓	ADJ-2S	6 3/4" 172mm	5 1/4" 134mm	6 7/8" 175mm	19" 483mm	4 7/8" 124mm	3" – 4 5/8" 77 – 118mm
	ADJ-3	7 1/4" 184mm	5 3/4" 134mm	7 3/8" 187mm	22" 559mm	5 1/2" 140mm	4 1/2" – 5 1/4" 114 – 133mm
✓	BFL-2	6 3/4" 172mm	5 1/4" 134mm	6 7/8" 175mm	22" 559mm	4 7/8" 124mm	3" – 4 1/2" 77 – 114mm
✓	BFL-2S	6 3/4" 172mm	5 1/4" 134mm	6 7/8" 175mm	19" 483mm	4 7/8" 124mm	3" – 4 1/2" 76 – 114mm
	BFL-3	7 1/4" 184mm	5 3/4" 136mm	7 3/8" 187mm	22" 559mm	5 1/2" 140mm	4 1/2" – 5 1/4" 114 – 133mm

ONE YEAR LIMITED WARRANTY

Diversified Metal Products, Inc. warrants its products to the original purchaser to be free from defects in materials and workmanship under normal use and service.

Its obligation under this warranty shall be limited to repairing or replacing any part of the product, F.O.B. factory, which proves defective within one (1) year from date of sale, and which Diversified Metal Products, Inc.'s examination, discloses to its satisfaction to be thus defective.

No claims will be accepted for any part becoming defective due to damage in transit, improper installation, improper storage, misapplication, abuse, misuse, neglect, vandalism, alteration, accident, fire or other casualty, or act of nature.

Diversified Metal Products, Inc. cannot not assume any responsibility for labor, freight cost, taxes, replacement parts purchased, normal maintenance, calibration or adjustments, or any other expense incurred outside of our factory.

TERMS AND CONDITIONS OF SALE

1. Minimum order for established accounts will be \$50.00 Net.
A \$10.00 handling charge will be applied on all orders under \$50.00 Net.
Broken case charges apply. New accounts require a \$200 minimum order.
A valid state resale certificate is required for all accounts. Please consult with a **DISPENSE-RITE** representative for more details.
2. Domestic Orders: Net 30 days from date of invoice.
International Orders: Please consult factory for payment terms.
3. Next day and second day air shipments must be received by 12:30 p.m. CST to ship that day. Freight charges for all shipments are computed by dimensional weight, not physical weight.
4. Shipments are F.O.B. Northbrook, IL.
5. Returned Goods: Request to return goods must be made within 90 days of the invoice date. All returned goods must have a Return Merchandise Authorization (RMA) number issued by a **DISPENSE-RITE** representative. A Credit Memo to be applied to future purchases will be issued on all returned goods. All returns are subject to a 25% re-stocking charge. All goods must be unused and shipped prepaid in the original packaging materials. Goods must be received within 45 days of the RMA number issue date.
6. Custom or non-standard products (including ECL Series cup dispensers) may not be returned under any circumstances.
7. Specifications & pricing subject to change without notice. All weights and measurements shown herein are approximate.

CONTACT US

To speak with a customer service representative call toll-free 1-800-772-2877. Visit our website www.dispense-rite.com for additional information.



MANUFACTURED BY:

DIVERSIFIED METAL PRODUCTS, INC.
2205 CARLSON DRIVE
NORTHBROOK, IL 60062

TOLL-FREE

1-800-772-2877

PHONE

1-847-753-9595

FAX

1-847-753-9648

WEBSITE

www.dispense-rite.com



DIVERSIFIED METAL PRODUCTS, INC.
2205 CARLSON DRIVE
NORTHBROOK, IL 60062

PHONE

1-847-753-9595

TOLL-FREE

1-800-772-2877

FAX

1-847-753-9648

