



## IDC255 ICE DRINK DISPENSER



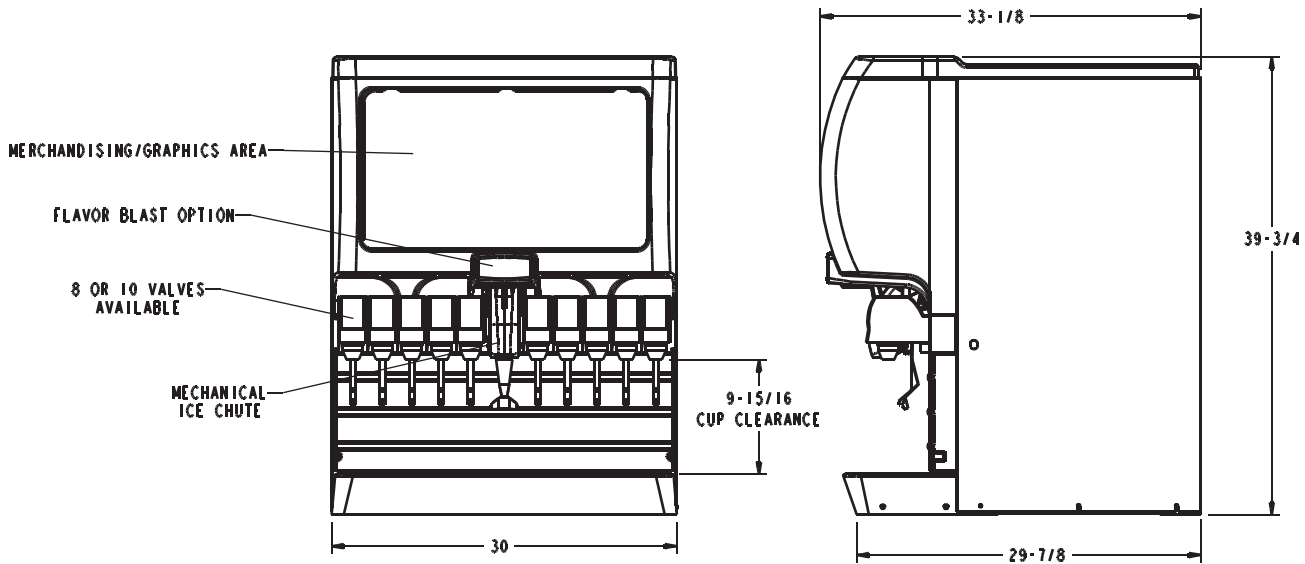
### FEATURES:

- Delivers bottle-quality drinks every time with built-in cold carbonator
- Creates high-impact marketing messages delivered with illuminated merchandiser
- Quickly modifies marketing messages with simplified front graphic change out
- Automatically separates ice dispensed into cups from ice used to cool cold plate
- Reduces ice spillage with increased drip tray capacity
- Dispenses different ice types thanks to the contour of the hopper and geometry of the beverage dispenser
- Hopper is easy to clean and has the ability to dispense various ice types
- Readily accepts top-mounted ice makers with manual ice-fill capability
- Increased serviceability:
  - Requires only one electrical outlet
  - Easy front access to carbonator tank
  - Simple motor removal
- New and improved TotalFlex2™ – easily changes from carbonated to non-carbonated

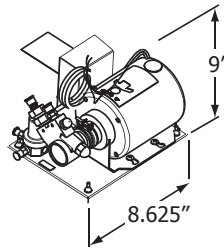


CG5042-0207

ICE & BEVERAGE



NOTE: PUMP & MOTOR ASSEMBLY  
MUST BE POSITIONED WITHIN  
8 FEET OF THE DISPENSER



## TECHNICAL SPECIFICATIONS:

TYPE OF VALVES . . . . . post-mix

NUMBER OF VALVES . . . . . 8 or 10

BEVERAGE MANIFOLDING . . . . . IDC255 8 valve: 3-1-1-3  
IDC255 10 valve: 4-1-1-4

CUP CLEARANCE . . . . . 10"

GRAPHIC DIMENSIONS . . . . . 14.31"H x 24.75"W  
(Template Available)

ICE STORAGE CAPACITY . . . . . 255 lb (115.7 kg)

CONNECTIONS . . . . . Water: 0.375" (9.5 mm)  
Syrup: 0.375" (9.5 mm)

DRAIN SIZE . . . . . 0.75" (19.1 mm) pvc (npt)  
pipe or flexible tubing

ELECTRICAL REQUIREMENTS . . 120 V / 60 Hz / 9.3 Amps

SHIPPING WEIGHT . . . . . 350 lb (150 kg)

AGENCY LISTINGS . . . . .



City of New York  
City of Los Angeles

