



IMD-600-30

Ice maker Dispenser



Features:

- CFC-free, R404a refrigerant
- High quality, high production capacity in less than 19" of counter space
- CFC-free foam insulation
- Produces extruded, chewable ice preferred by consumers
- Patented design - Easy to perform preventative maintenance
- Ice Maker uses 100% of water
- Ideal for healthcare or foodservice application



IMD-600-30

Technical Specifications:

Cube size: 1/2"W x 1/2"H x 1/2"D



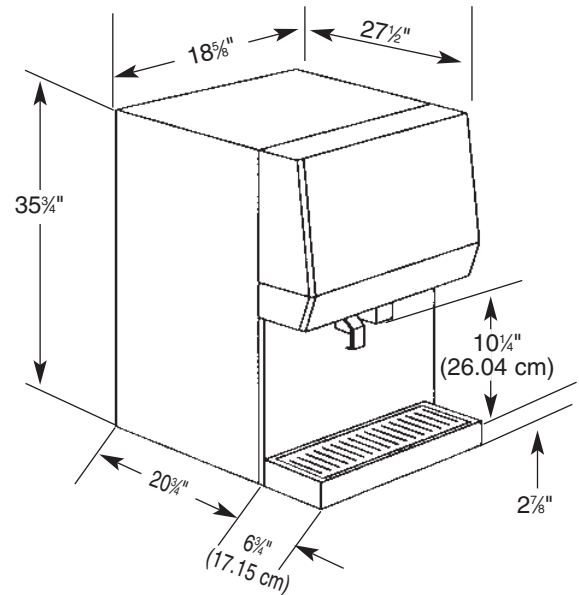
Compressor: 3/4 H.P.

Refrigerant: CFC-Free, R-404a

Ice Bin Storage Capacity: 30 lbs. (14 kgs.)

Ice Production Capacity (60 cycle):

- 618 lbs. @70°F Air / 50°F Water
(280 kg @21.09°C Air / 10.0°C water)
- 493 lbs. @90°F Air / 70°F Water
(223.62 kg @32.2°C Air / 21.1°C water)
- (50 cycle produces 83% of above stated production capacities)



Cabinet Construction: Stainless steel

Dimensions:

- 18 5/8" (47.31 cm) wide
- 27 1/2" (69.85 cm) deep
- 35 3/4" (90.81 cm) high

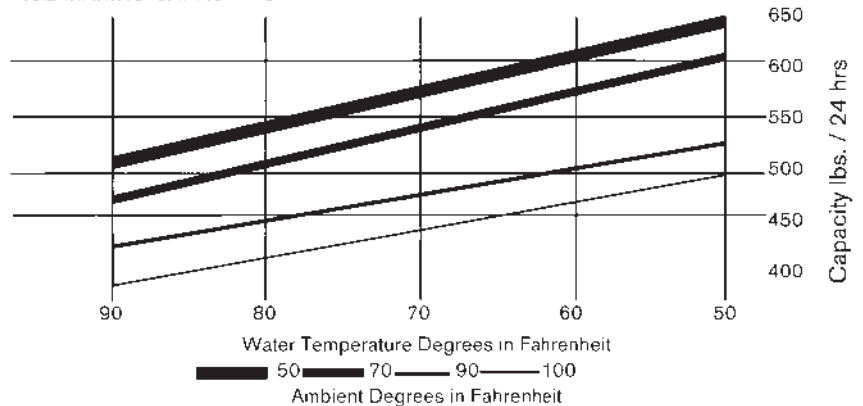
Minimum Circuit Amps: 15

Shipping Weight: 242 lbs. (110 kgs.)

Agency Listings: Agency Listings:



ICE MAKING CAPACITIES



Part Number	Model Number	Dispensing Method	Standard Electrical	Condenser	Production 70°/50° lbs./kgs.
638090400	IMD-600-30ASLA	Lever	115 / 60 / 1	Air	618 lbs. / 280 kgs.
638090401	IMD-600-30ASPB	Push button	115 / 60 / 1	Air	618 lbs. / 280 kgs.
638090450	IMD-600-30WSLA	Lever	115 / 60 / 1	Water	618 lbs. / 280 kgs.
638090451	IMD-600-30WSPB	Push button	115 / 60 / 1	Water	618 lbs. / 280 kgs.
638090402	IMD-602-30A LA	Lever	220-240 / 50 / 1	Air	513 lbs. / 233 kgs.



For more information or to place an order, contact your sales representative or authorized distributor.

In the US:

Phone: 1-800-238-3600

Fax: 1-800-535-4235

Outside the US:

Phone: 1-763-421-6120

Fax: 1-763-422-3297

IMI Cornelius Inc.

One Cornelius Place
Anoka, MN 55303-6234
USA