



Portable Bars

► Economy & Standard



► Economy Bars FC2850 and FC2860:

- Available with DI 1522 sealed 7 circuit pre-mix or 8 circuit post-mix cold plate
- All Formica® cabinet
- Protective cabinet molding
- Stainless steel floor and bottle rack
- NSF approved components



► Standard Bar SB2850:

- Available with DI 1522 sealed 7 circuit pre-mix or 8 circuit post-mix cold plate
- All Formica® cabinet
- Lower cabinet sliding doors
- Stainless steel floor and bottle rack
- NSF approved components





▶ Deluxe Bar DB2860:

- Available with DI 1522 sealed 7 circuit pre-mix or 8 circuit post-mix cold plate
- All Formica® cabinet
- Lower cabinet sliding doors
- Protective cabinet molding
- Stainless steel floor and bottle rack
- Padded armrest
- NSF approved components



▶ Deluxe Bar DB2872:

- Available with DI 1522 sealed 7 circuit pre-mix or 8 circuit post-mix cold plate
- Available with DI 2123 sealed 7 circuit pre-mix or 9 circuit post-mix cold plate
- Lower cabinet sliding doors
- All Formica® cabinet
- Stainless steel floor and bottle rack
- Padded armrest
- NSF approved components





► Specifications:

- Plywood 3/4" (19.0mm) covered with Formica®
- Stainless steel bottom pan
- Stainless steel bottle rack
- Two 5" locking swivel casters
- Two rigid 5" casters
- Protective cabinet molding

► Available Sizes:

- **Model FC2850 Economy Portable Bar**
48 1/2" (1231.9mm) width x 28 1/2" (723.9mm) depth x 43" (1092.2mm) height. Approximate shipping weight 400 lbs (181.44kg)
- **Model FC2860 Economy Portable Bar**
60 1/2" (1536.7mm) width x 28 1/2" (723.9mm) depth x 43" (1092.2mm) height. Approximate shipping weight 450 lbs (204.12kg)

► Options:

Chests

- DI 1522 7 circuit pre-mix
- DI 1522 8 circuit post-mix
- DI 1522 ice chest no/cold plate

Bar Guns

- Cornelius
- 5 button pre-mix bar gun
- 7 button pre-mix bar gun

Wunder Bar

- 7 button pre-mix bar gun
- 8 button post-mix bar gun

Carbonators

Cornelius, Lancer, McCann

Syrup Pumps

Flojet, Shurflo

Water Tank

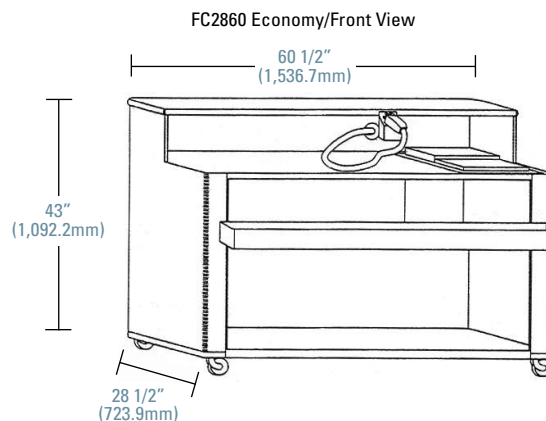
30 gallon plastic with quick disconnect

Regulators

Taprite-Fassco unless otherwise specified

Covers

Black vinyl - 50 or 60 inches





Portable Bars

► Deluxe & Standard



► Specifications:

- Plywood 3/4" (19.0mm) covered with Formica®
- Stainless steel bottom pan
- Stainless steel bottle rack
- Two 5" locking swivel casters
- Two rigid 5" casters
- Padded arm rest standard on 2860 & 2872 models
- Rubber corner bumpers and vinyl edge guards
- Lower cabinet sliding doors

► Available Sizes:

- **Model SB2850 Standard Portable Bar**
50 1/4" (1276.3mm) width with bumpers x 30 1/4" (768.3mm) depth with bumpers x 48 1/2" (1231.8mm) height. Approximate shipping weight 400 lbs (181.44kg).
- **Model DB2860 Deluxe Portable Bar**
62 1/4" (1581.1mm) width with bumpers x 30 1/4" (768.3mm) depth with bumpers x 49 1/4" (1250.9mm) height. Approximate shipping weight 450 lbs (204.12kg).
- **Model 2872 Deluxe Portable Bar**
74 1/4" (1885.9mm) width with bumpers x 30 1/4" (768.3mm) depth with bumpers x 49 1/4" (1250.9mm) height. Approximate shipping weight 550 lbs (226.80kg).

► Options:

Chests

- DI 1522 7 circuit pre-mix
- DI 2123 7 circuit pre-mix (DB2872 ONLY)
- DI 1522 8 circuit post-mix
- DI 2123 9 circuit post-mix (DB2872 ONLY)
- DI 1522 ice chest no cold plate
- DI 2123 ice chest no cold plate (DB2872 ONLY)

Bar Guns

- Cornelius
- 5 button pre-mix bar gun
- 7 button pre-mix bar gun

Wunder Bar

- 7 button pre-mix bar gun
- 8 button post-mix bar gun

Carbonators

Cornelius, Lancer, McCann

Syrup Pumps

Flojet, Shurflo

Water Tank

30 gallon plastic with quick disconnect

Regulators

Taprite-Fassco unless otherwise specified

Covers

Black vinyl - 50, 60 or 72 inches

