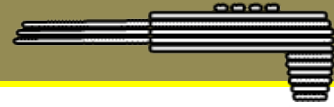




1-800-322-4853 \* Fax (850) 477-2458

# Wunder-Bar Dispensing Systems



2 Button Energy



8 Button Post-Mix



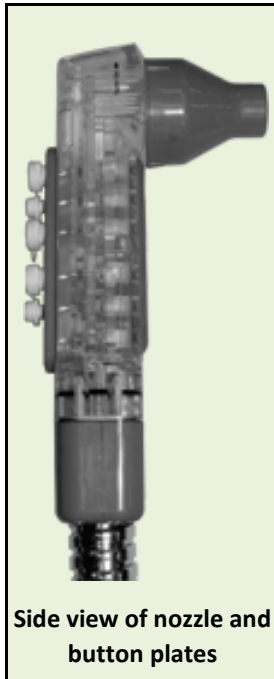
10 Button Post-Mix



12 Button Post-Mix



14 Button Post-Mix



Side view of nozzle and button plates



Standard Manifold

Flow Regulated Manifold

⌘ All post-mix dispensers are standard with a 36" length hose. Also, available in 48", 60", 72" and 84" lengths.

⌘ Standard fittings are 1/4". Also, available in 3/8" and 90 degree fittings.

### Model Configuration Reference

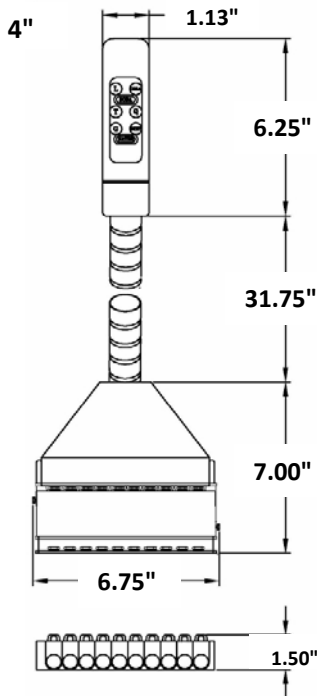
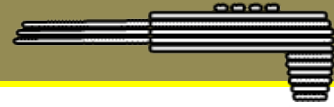
# of Bar-Gun Buttons	X1	X2	X3	*
<b>WBM-8</b> (X1 / X2 / X3) - *	# carbonated buttons	# non-carbonated buttons	# pre-mix non-carbonated	Add <b>-FR</b> for Flow Regulated
<b>WBM-10</b> (X1 / X2 / X3) - *	# carbonated buttons	# non-carbonated buttons	# pre-mix non-carbonated	Add <b>-FR</b> for Flow Regulated
<b>WBM-12</b> (X1 / X2 / X3) - *	# carbonated buttons	# non-carbonated buttons	# pre-mix non-carbonated	Add <b>-FR</b> for Flow Regulated
<b>WBM-14</b> (X1 / X2 / X3) - *	# carbonated buttons	# non-carbonated buttons	# pre-mix non-carbonated	Add <b>-FR</b> for Flow Regulated
<b>WBM-X</b> (X1 / X2)	# carbonated buttons	# non-carbonated buttons		

**X** = 1,2,3,4 button energy      **Example: WBM-10620-FR** = **10** button, **6** carbonated, **2** non-carbonated, **0** pre-mix w/ Flow Regulator

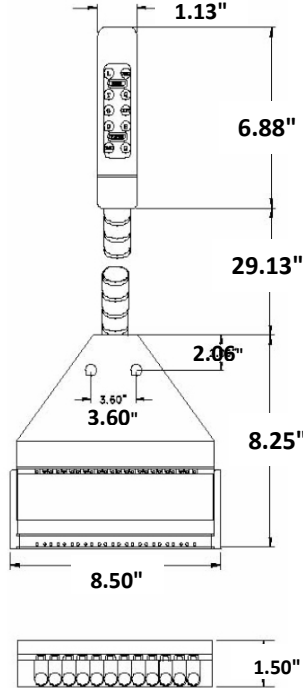


1-800-322-4853 \* Fax (850) 477-2458

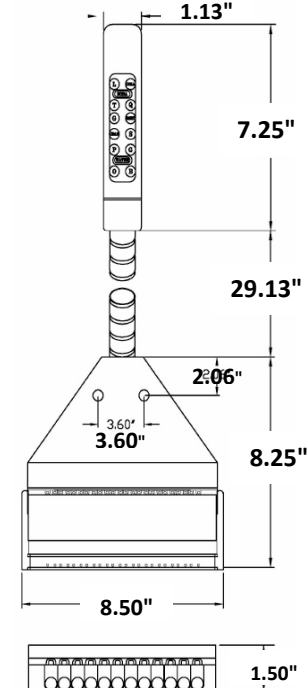
# Wunder-Bar Dispensing Systems



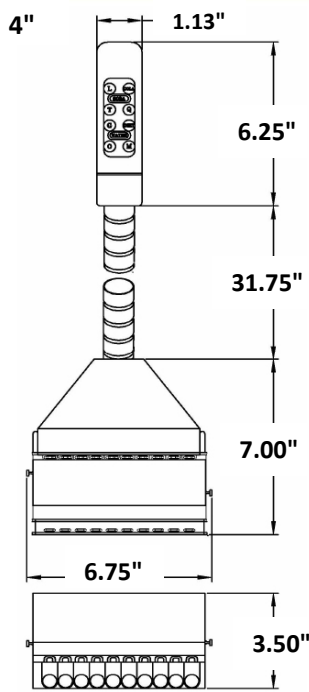
8 / 10 Button Standard



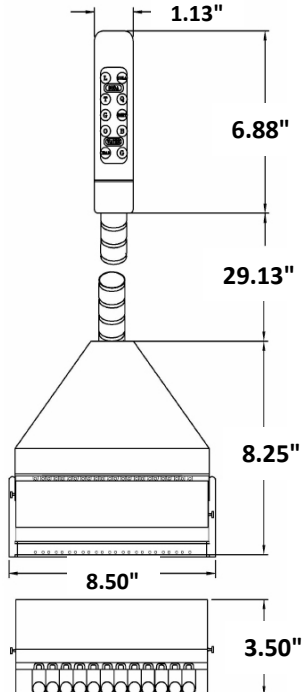
12 Button Standard



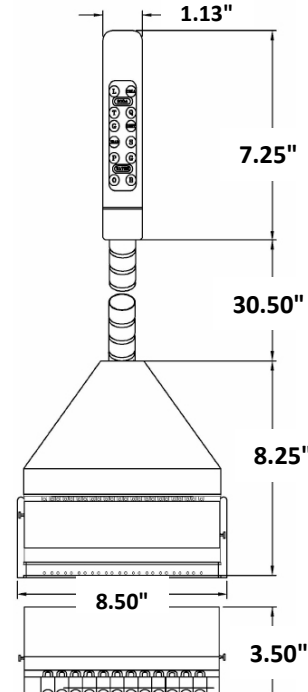
14 Button Standard



8 / 10 Button Flow Reg



12 Button Flow Reg



14 Button Flow Reg

8, 10, 12, and 14 Button Standard and Flow Regulated Diagrams