



JETSPRAY™ MODEL JS7

SINGLE FLAVOR
VISUAL DISPLAY DISPENSER



FEATURES

Boost sales - Visual display dispensing system promotes impulse sales

Small footprint - The most compact 5-gallon visual display dispenser available; uses 25% less counter space
-Accommodates jumbo size cups for maximum profits

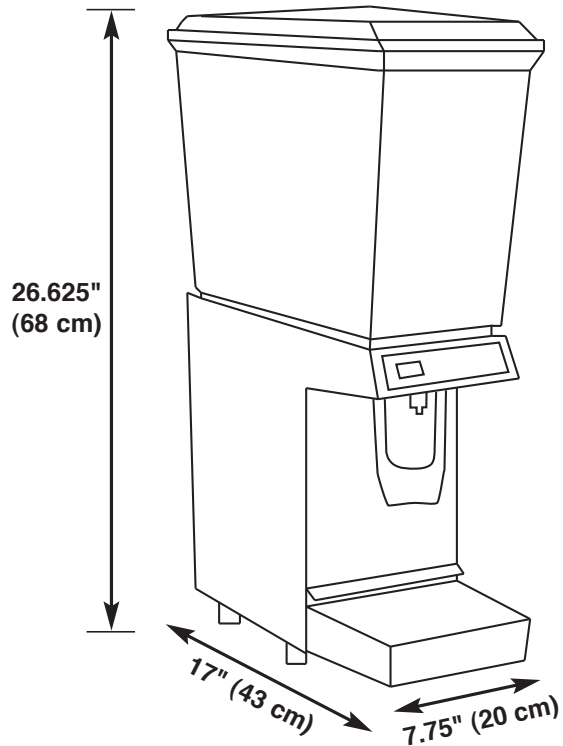
Flexibility - Interchangeable 3 (11L) and 5 (19L) gallon bowls mix and match to meet variable product demand

Broad capabilities - Unique pinch tube system reliability dispenses all types of beverages, including those with heavy pulp

Quality drinks - Constant recirculation of beverage keeps drinks chilled and fresh

Adaptable - Sleek, modern design and white cabinetry fit into any foodservice environment

Reduced cleaning time - Easy cleaning and maintenance



PART NUMBER	DESCRIPTION
JS7	Cold Beverage Dispenser JS7, Visual Single Bowl, 5 Gallon Spray Type, 115V / 60Hz
A1620	Circulator Kit for Foamy Products

TECHNICAL SPECIFICATIONS

CABINETRY White plastic and stainless steel

BEVERAGE BOWL & COVER Transparent, virtually unbreakable LEXAN® resin, with U.S. gallon and liter markings

SHORT BOWL OPTION 3 gal: 23 5/8"H
ON STANDARD BASE 5 gal: 26 5/8"H

BEVERAGE CAPACITY 5 gal (19 L)

CUP CLEARANCE 9"

REFRIGERATION JetSpray 1/6 HP hermetically sealed system R134a

NET WEIGHT JS7: 37 lb (16.78 kg)

SHIPPING WEIGHT JS7: 45 lb (20.4 kg)

CARTON VOLUME 4.2 cu ft (0.10 cuM)

AGENCY LISTINGS 