



JETSPRAY™ MODEL JT30

3 FLAVOR
VISUAL DISPLAY DISPENSER



FEATURES

Boost Sales - Visual display dispensing system creates impulse sales

Flexibility - Choice of Standard or Premium models
Interchangeable 3 (11 L) and 5 (19 L) gallon bowls mix and match to meet variable product demand

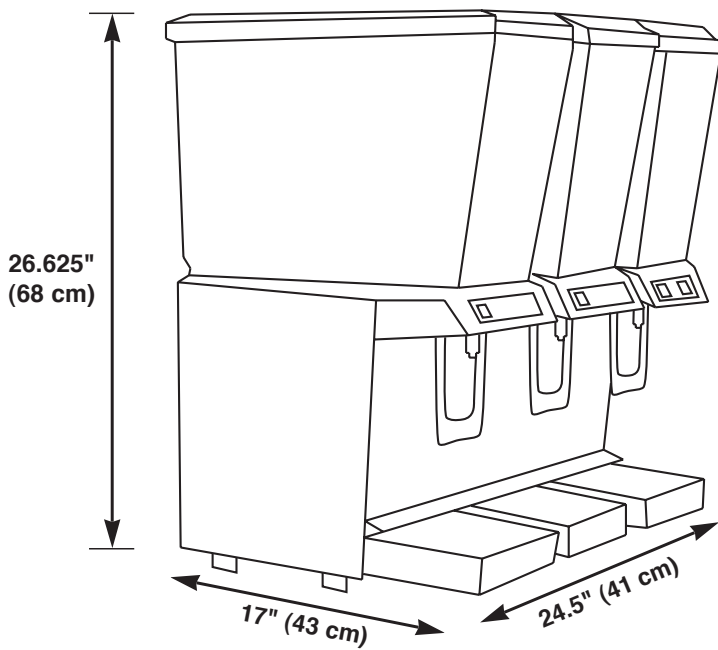
Options - Available in any combination of 1, 2, or 3 in-bowl whippers to serve a variety of whipped beverages

Reliability - Unique pinch tube system reliably dispenses all types of beverages, including those with heavy pulp

Quality - Constant recirculation of beverage keeps drinks chilled and fresh

No downtime - any one bowl can be removed and sanitized while the other bowls continue to dispense

Ease of use - Easy cleaning and maintenance



PART NUMBER	DESCRIPTION
JT30	Cold Beverage Dispenser JT30, Visual Three Bowl, 5 Gallon Spray Type, 115V / 60Hz
A1620	Circulator Kit for Foamy Products

TECHNICAL SPECIFICATIONS

CABINETRY White plastic and stainless steel

BEVERAGE BOWL & COVER Transparent, virtually unbreakable LEXAN® resin, with U.S. gallon and liter markings

SHORT BOWL OPTION 3 gal: 23 5/8"H
ON STANDARD BASE 5 gal: 26 5/8"H

BEVERAGE CAPACITY 5 gal (19 L)

CUP CLEARANCE 9"

REFRIGERATION JetSpray 1/6 HP hermetically sealed system R134a

NET WEIGHT JS7: 44 lb (20 kg)

SHIPPING WEIGHT JS7: 52 lb (23.6 kg)

CARTON VOLUME 4.2 cu ft (0.10 cuM)

AGENCY LISTINGS  

