



Vantage

Overcounter Electric



Features:

- Only 470mm (18.5") tall
- Four and five valve models
- Available with or without integral cold carbonator
- Stainless lower wrap
- Sculptured hood
- Drop-in refrigeration chassis
- Compact coil and valve assembly
- One piece lower housing
- 1/3 h.p. compressor
- Designed for high ambient use
- Durable stainless steel cabinetry



Technical Specifications:

Compressor: 1/3 h.p.

Condenser Finish: Copper, aluminum

Cup Clearance: 24cm (9 3/4")

Initial Average Icebank: 6.8 kgs. (15 lbs.)

Refrigerant: R-134a

Integral Carbonator Tank Reserve: 1.65 L (56 oz.)

Ice Bank Control: Electronic

Carbonator Pump Fill Rate: 60 MI (2 oz./sec.)

Syrup Inlet Fitting: 1/4" barb

Water Inlet Fitting: 1/4" flare

CO₂ Inlet Fitting: 1/4" flare

Valves: Standard Flow

Valve Types: UF-1 or SF-1

Draw Performance: Number of drinks below 4.4°C (40°F)

Integral Carbonator:

24° C (75°F) ambient w / draw rate of two 355 MI (12 oz.) drinks per minute = 187

32° C (90°F) ambient w / draw rate of two 355 MI (12 oz.) drinks per minute = 91

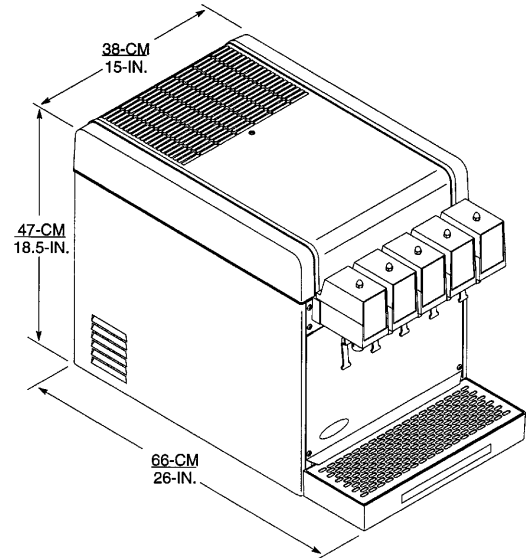
Remote Carbonator:

24° C (75°F) ambient w / draw rate of two 355 MI (12 oz.) drinks per minute = 272

32° C (90°F) ambient w / draw rate of two 355 MI (12 oz.) drinks per minute = 101

Shipping Weight: 44 kgs. (98 lbs.)

Agency Listings:



Part No.	Description	Electrical
47-4514	Vantage 4 Flavor, Integral Carbonator	230V / 50Hz / 4.0A
47-4515	Vantage 5 Flavor, Integral Carbonator	230V / 50Hz / 4.0A
47-1504	Vantage 4 Flavor, Remote Carbonator	230V / 50Hz / 4.0A
47-1505	Vantage 5 Flavor, Remote Carbonator	230V / 50Hz / 4.0A
47-1614	Vantage 4 Flavor, Integral Carbonator	230V / 60Hz / 4.0A
47-1615	Vantage 5 Flavor, Integral Carbonator	230V / 60Hz / 4.0A
47-1604	Vantage 4 Flavor, Remote Carbonator	230V / 60Hz / 4.0A
47-1605	Vantage 5 Flavor, Remote Carbonator	230V / 60Hz / 4.0A
42-1614	Vantage 4 Flavor, Integral Carbonator	115V / 60Hz / 7.4A
42-1615	Vantage 5 Flavor, Integral Carbonator	115V / 60Hz / 7.4A
42-1604	Vantage 4 Flavor, Remote Carbonator	115V / 60Hz / 7.4A
42-1605	Vantage 5 Flavor, Remote Carbonator	115V / 60Hz / 7.4A
4923	4" Leg Kit	



For more information or to place an order, contact your sales representative or authorized distributor.

In the US:

Phone: 1-800-238-3600

Fax: 1-800-535-4235

Outside the US:

Phone: 1-763-421-6120

Fax: 1-763-422-3297

IMI Cornelius Inc.

One Cornelius Place
Anoka, MN 55303-6234
USA