



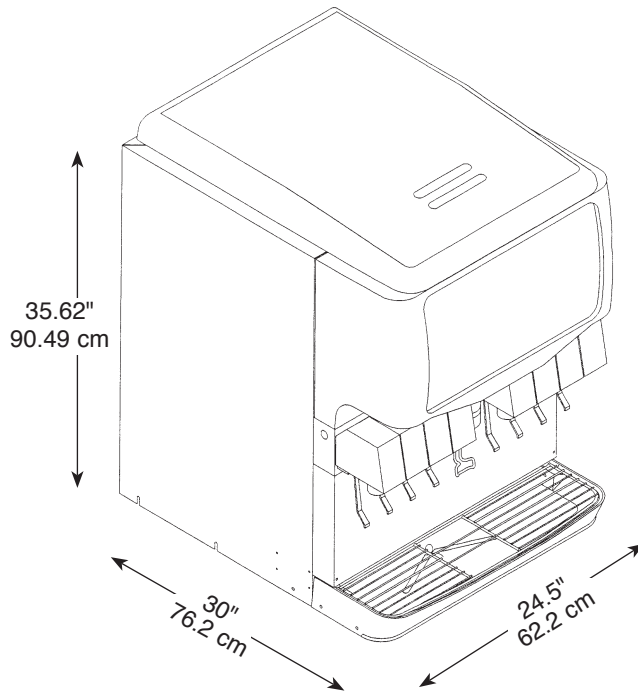
## **ENDURO 175**

POST-MIX ICE DRINK DISPENSER



### **FEATURES:**

- 175 lb. ice capacity
- Available with 8 UFB-1™ sanitary lever or push button valves
- Illuminated merchandiser delivers unique, high impact marketing message
- TotalFlex™ – easily changes from carbonated to non-carbonated
- Gravity ice dispensing with positive shut-off provides excellent ice targeting
- Ice used to cool cold plate is separate from ice dispensed into cups
- One piece ABS thermoformed plastic ice storage hopper (Durabide™ design) provides durability and ensures all ice in hopper is dispensable
- Unit readily accepts top mount cubers with manual ice fill capability
- Stainless steel cabinet
- Modular design allows for easy component access from the front of the unit






PART NUMBER	DESCRIPTION
621052703	Enduro 175 Ice Drink Dispenser with 8 UFB-1™ 2-4 oz Sanitary Lever Valves
621052706	Enduro 175 Ice Drink Dispenser with 8 UFB-1™ 2-4 oz Push Button Valves
3470	Enduro 175 Dispenser Stand - Stainless Steel 30"H x 24.5"W x 30"D

## TECHNICAL SPECIFICATIONS:

ICE STORAGE CAPACITY . . . . . 175 lb (79.38 kg)  
 BEVERAGE MANIFOLDING . . . . . TotalFlex  
 CUP CLEARANCE . . . . . 9.75" (24.76 cm)  
 COOLING CAPACITY . . . . . 10-12 oz drinks/min  
 @ 75°F  
 DRAIN CONNECTION . . . . . 0.75" PVC (NPT) or  
 1" ID flexible tubing  
 GRAPHIC SIZE . . . . . Overall:  
 11.083"H x 19.294"W  
 Viewable:  
 10.608"H x 18.67"W

STANDARD FEATURES . . . . . Beverage Key Switch,  
 timed agitation and  
 4" legs  
 ELECTRICAL RATING . . . . . 115 V / 60 Hz / 3 Amps  
 SHIPPING WEIGHT . . . . . 230 lb (104.33 kg)

AGENCY LISTINGS . . . . .     
 City of Los Angeles

