



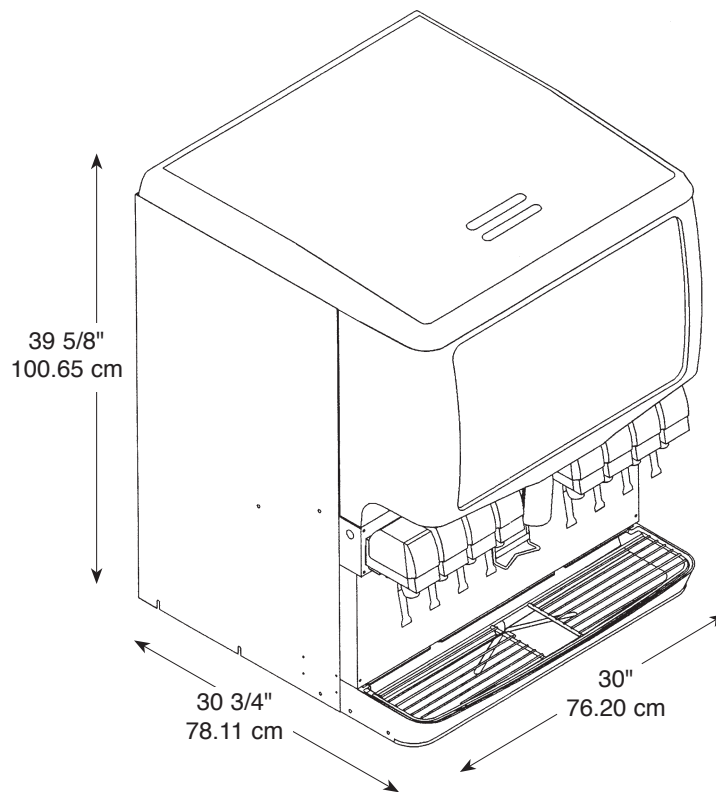
ENDURO 250

POST-MIX ICE DRINK DISPENSER



FEATURES:

- 250 lb. ice capacity
- Available with 8 or 10 UFB-1™ sanitary lever or push button valves
- Illuminated merchandiser delivers high impact marketing message
- TotalFlex™ – easily changes from carbonated to non-carbonated
- Gravity ice dispensing with positive shut-off provides excellent ice targeting
- Ice used to cool cold plate is separate from ice dispensed into cups
- One piece ABS thermoformed plastic ice storage hopper (Durabide™ design) provides durability and ensures all ice in the hopper is dispensable
- Unit readily accepts top mount cubers with manual ice fill capability
- Stainless steel cabinet
- Modular design allows for easy component access from the front of the unit






| PART NUMBER | DESCRIPTION |
|-------------|---|
| 621052807 | Ice Drink Dispenser with 8 UFB-1™ 2-4 oz Sanitary Lever valves |
| 0528552 | Ice Drink Dispenser with 8 UFB-1™ 2-4 oz Push Button valves |
| 621052806 | Ice Drink Dispenser with 10 UFB-1™ 2-4 oz Sanitary Lever valves |
| 0528452 | Ice Drink Dispenser with 10 UFB-1™ 2-4 oz Push Button valves |
| 3473 | Drink dispenser stand Dimensions: 30"H x 30"W x 30"D |

TECHNICAL SPECIFICATIONS:

ICE STORAGE CAPACITY 250 lb (113.40 kg)
 ICE BEVERAGE MANIFOLDING . . TotalFlex
 CUP CLEARANCE 10" (25.4 cm)
 COOLING CAPACITY 10-12oz drinks/min
 @ 75°F
 GRAPHIC DIMENSIONS Overall:
 15.083"H x 24.79"W
 Viewable:
 14.59"H x 24.17"W

STANDARD FEATURES Beverage key switch,
 Timed ice agitation
 and 4" legs
 DRAIN CONNECTION 0.75" PVC (NPT) or
 1" ID flexible tubing
 ELECTRICAL RATING 115 V / 60 Hz / 3.5 Amps
 SHIPPING WEIGHT 340 lb (154.22 kg)

AGENCY LISTINGS   
 City of Los Angeles



IN THE U.S.A.
 Ph: 800.238.3600
 Fax: 763.488.4283

OUTSIDE THE U.S.A.
 Ph: 763.488.8200
 Fax: 763.488.4283

101 Broadway Street West
 Osseo, MN 55369
 www.cornelius.com