



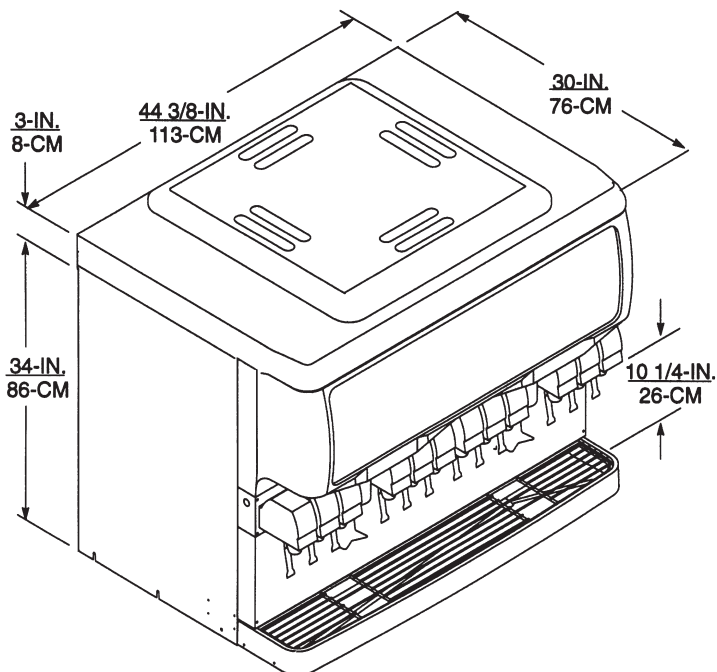
## **ENDURO 300**

POST-MIX ICE DRINK DISPENSER



### **FEATURES:**

- 300 lb. ice capacity
- Available with 12 UFB-1™ sanitary lever or push button valves
- Illuminated merchandiser delivers unique high impact marketing message
- New and improved TotalFlex™ – easily changes from carbonated to non-carbonated
- Gravity ice dispensing with positive shut off provides excellent ice targeting
- Ice used to cool cold plate is separate from ice dispensed into cups
- One piece ABS Thermoformed plastic ice storage hopper (DuraBide™) design provides durability and ensures all ice in hopper is dispensed
- Unit readily accepts top mount cubers with manual ice fill capacity
- Stainless steel cabinet
- Modular design allows for easy component access from front of unit
- Multiple front access cold plate drains
- Two separate ice dispensing chutes
- Dual agitator systems with opposite rotation ensures a full bin of ice



PART NUMBER	DESCRIPTION
02810	Ice Drink Dispenser with 12 UFB-1™ 2-4 oz Sanitary Lever Valves
02813	Ice Drink Dispenser with 12 UFB-1™ 2-4 oz Push Button Valves
08017	Leg Kit for ED300 includes six 4" legs

## TECHNICAL SPECIFICATIONS:

ICE STORAGE CAPACITY . . . . . 300 lb (136 kg)  
 BEVERAGE MANIFOLDING . . . . . TotalFlex  
 CUP CLEARANCE . . . . . 10" (25.40 cm)  
 COOLING CAPACITY . . . . . 10-12 oz drinks/min  
 @ 75°F  
 DRAIN CONNECTION . . . . . 0.75" PVC (NPT) or  
 1" ID flexible tubing  
 ELECTRICAL RATING . . . . . 115 V / 60 Hz / 5.2 Amps  
 (single outlet)

GRAPHIC DIMENSIONS . . . . . Overall:  
 11.062"H x 38.985"W  
 Viewable:  
 10.249"H x 37.86"W  
 STANDARD OPTIONS . . . . . Beverage key switch,  
 Timed ice agitation  
 SHIPPING WEIGHT . . . . . 430 lb (195 kg)  
 Agency Listings . . . . .

