



## FLAVOR OVERLOAD

POST-MIX ICE DRINK DISPENSER



LOWER KEYPAD  
MEETS ADA ON  
34" COUNTERS

### FEATURES

**Small footprint** - 16 brands in a 30" footprint increases brand density

**Variety** - Customers have unlimited choices to create personalized drink

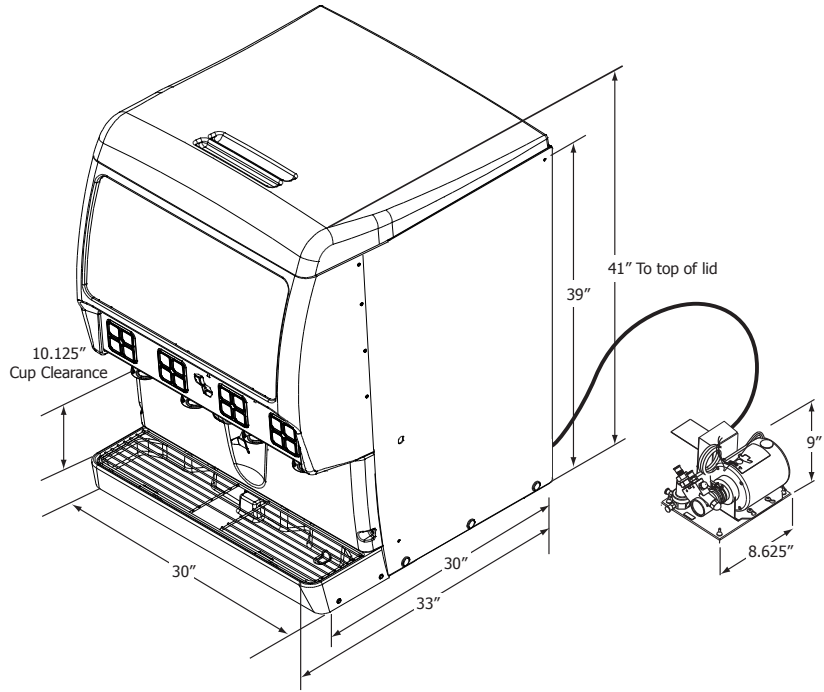
**Total flexibility** - Carbonated/non-carbonated drinks for each brand

**ADA compliant** - Meets ADA (Americans with Disabilities Act) guidelines

**Quality** - Cold carbonation provides consistent drink quality

**Total Flexibility** - Easy motor removal (does not require removal of ice from hopper or removal of top mounted ice maker)

**NOTE: PUMP & MOTOR ASSEMBLY  
MUST BE POSITIONED WITHIN  
8 FEET OF THE DISPENSER**



PART NUMBER	DESCRIPTION
621057636	Flavor Overload Midnight Black with ADA lower keypad



**UNITS BELOW DO NOT HAVE LOWER KEYPAD TO MEET ADA GUIDELINES**

PART NUMBER	DESCRIPTION
621057660	Flavor Overload Midnight Black

\* If top mounting an ice maker, an ice maker adapter kit is required. Order separately.

## TECHNICAL SPECIFICATIONS

**DIMENSIONS** ..... 41"H x 30"W x 30"D  
**GRAPHIC SIZE** ..... (template available)  
**COUNTER WEIGHT** ..... 320 lb (plus ice weight)  
**SHIPPING WEIGHT** ..... 365 lb  
**CAPACITY** ..... 255 lb ice bin capacity  
for cubed & chunklet  
(compressed) ice  
**AMP DRAW** ..... 120 V / 60 Hz / 9.3 Amps  
**ELECTRICAL RATING** ..... 115 V +/- 10% (only  
requires single outlet)  
**WATER SUPPLY PRESSURE** .... 50-60 psi at pump

**STANDARD FEATURES** ..... Timed agitation,  
beverage keyswitch  
and 4" legs  
**CO<sub>2</sub>** ..... 75 psi at carbonator tank  
**16 BRAND SYRUPS:**  
(14 CHILLED / 2 AMBIENT) ..... 60 psi/min  
**VALVE OPTIONS** ..... 16 push button brands  
2-4 oz/sec valves  
**CUP CLEARANCE** ..... 10.125"  
**AGENCY LISTINGS**  
**PENDING APPROVAL** .....    
City of Los Angeles

