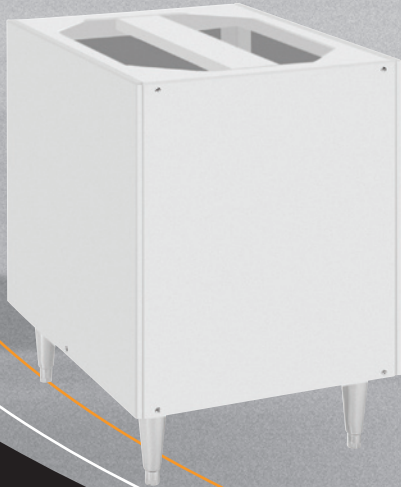




ICE DRINK DISPENSER STANDS

FOR ENDURO AND DURAFLEX DISPENSERS

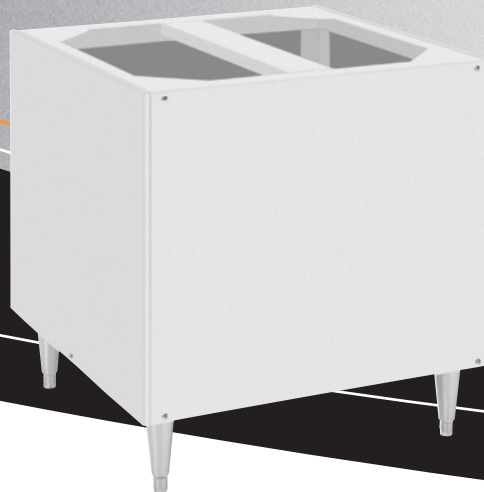
ENDURO/DURAFLEX 150 STAND



ENDURO/DURAFLEX 175 STAND

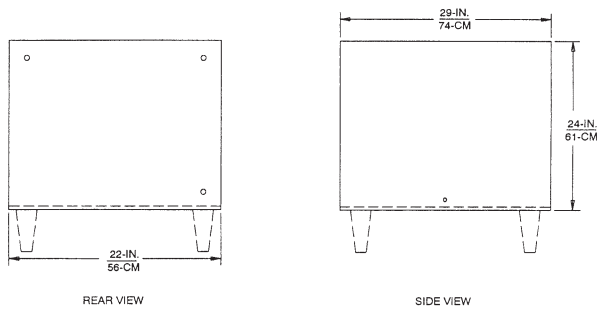


ENDURO/DURAFLEX 200/250 STAND

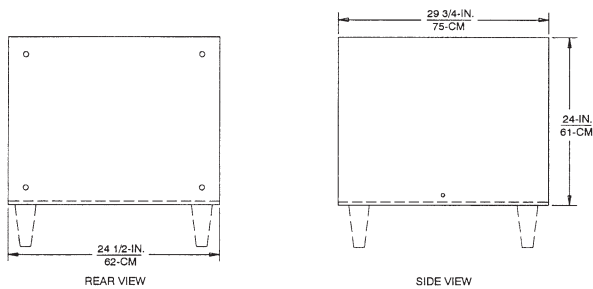


FEATURES:

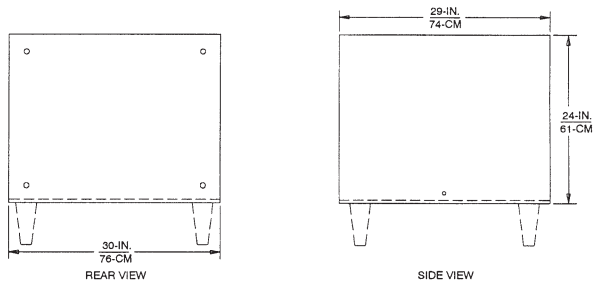
- Stainless steel construction
- Includes 6" legs
- Will accommodate 1 ice drink dispenser and 1 top mount ice maker
- Easy to remove front and rear panels
- Includes bolts to secure dispenser to stand



Duraflex/Enduro 150



Duraflex/Enduro 175



Duraflex/Enduro 200 or 250

PART NUMBER	DESCRIPTION
3472	Duraflex/Enduro 150 ice drink dispenser stand with 6" legs
3470	Duraflex/Enduro 175 ice drink dispenser stand with 6" legs
3473	Duraflex/Enduro 200 or 250 ice drink dispenser stand with 6" legs

TECHNICAL SPECIFICATIONS:

SHIPPING WEIGHT 3472: 82 lb (37.2 kg)
 3470: 100 lb (45.4 kg)
 3473: 120 lb (54.4 kg)

