



2323 UNIVERSAL

POST-MIX DROP-IN DISPENSER



FEATURES

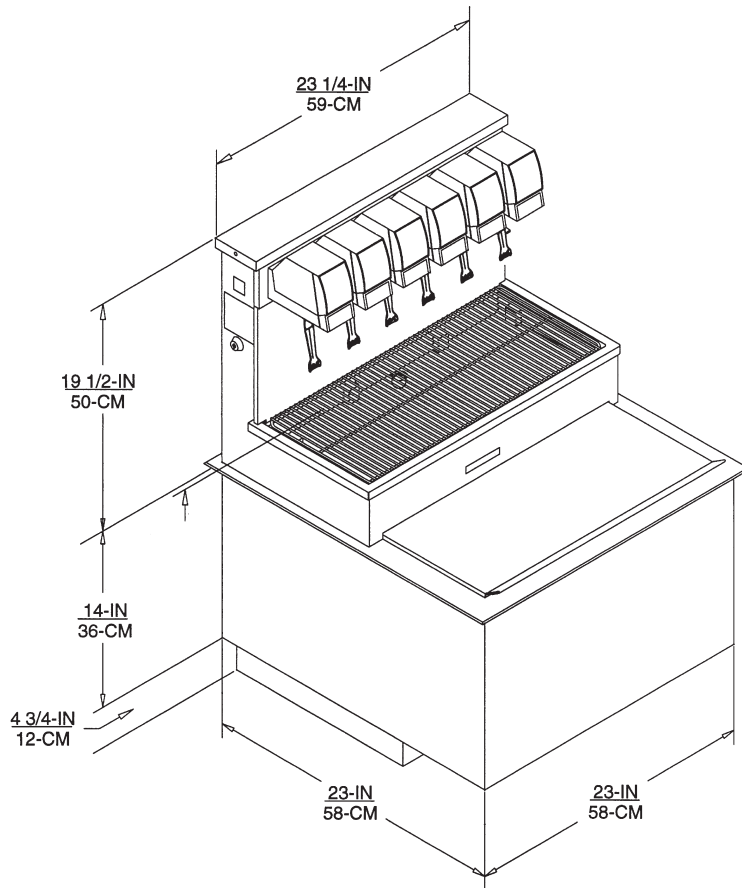
Large ice capacity - Ice chest has 80 lb capacity

Options - Available with 5, 6, or 8 valves (8 valve has 2 ambient syrups and 6 chilled syrups)

Insulated - Foamed polyurethane insulation

Convenient - Front inlet fitting location

Ease of use - Large, extended drip tray provides extra room for cup staging and is removable for ease in cleaning




PART NUMBER	DESCRIPTION
631100048	Drop-in dispenser with 5 UFB-1™ 2-4 oz sanitary lever valves, 80 lb bin
631100049	Drop-in dispenser with 6 UFB-1™ 2-4 oz sanitary lever valves, 80 lb. bin
631100050	Drop-in dispenser with 8 UFB-1™ 2-4 oz sanitary lever valves, 80 lb bin
162111002	Drop-in ice chest with sealed in nine circuit cold plate and slotted rim
162111004	Drop-in ice chest with sealed in nine circuit cold plate
162540000	Drop-in ice chest without sealed in cold plate
630001218	Cabinet stand for 2323 drop-in dispenser, assembled
630001205	Cabinet stand for 2323 drop-in dispenser, not assembled

TECHNICAL SPECIFICATIONS

TYPE OF VALVES UFB-1™ post-mix
 NUMBER OF VALVES 5, 6 or 8
 CUP CLEARANCE 9.75" (248 mm)
 COUNTER TOP CUT OUT 23.25" x 23.25"
 (591 mm x 591 mm)
 ICE STORAGE CAPACITY 75 lb (34 kg)
 DRAIN SIZE 0.75" (19.1 mm)
 flexible hose

CONNECTIONS Water: 0.375" (9.5 mm)
 barb fitting
 Syrup: 0.375" (9.5 mm)
 barb fitting
 ELECTRICAL REQUIREMENTS . . 120 V / 60 Hz / 1 Amp
 SHIPPING WEIGHT 235 lb (107 kg)

AGENCY LISTINGS 
 Transformer is UL
 and cUL listed.

