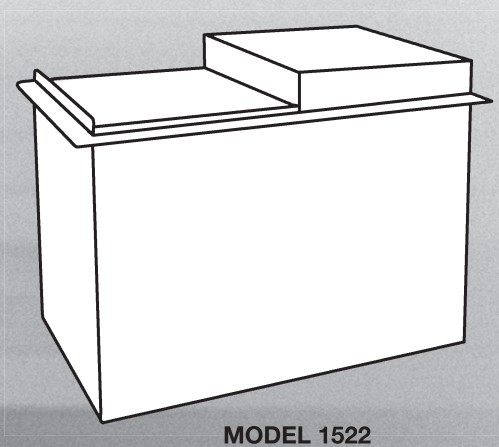


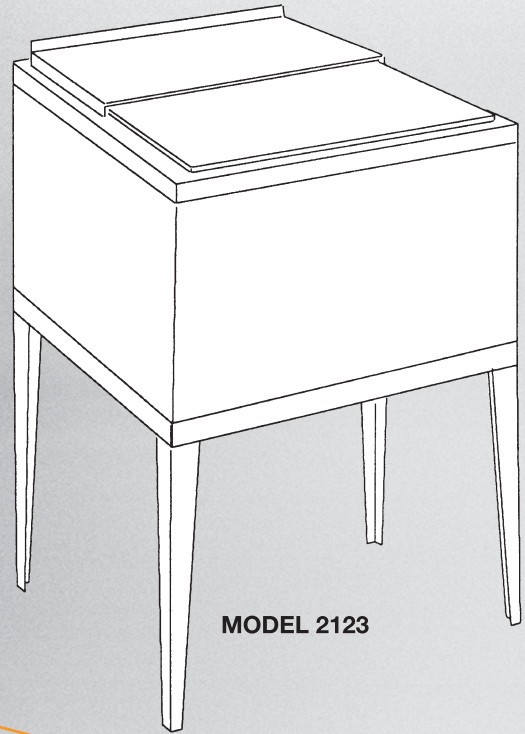


ICE CHESTS

DROP-IN ICE-TAINERS



MODEL 1522



MODEL 2123

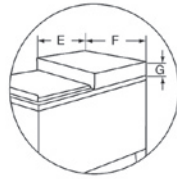
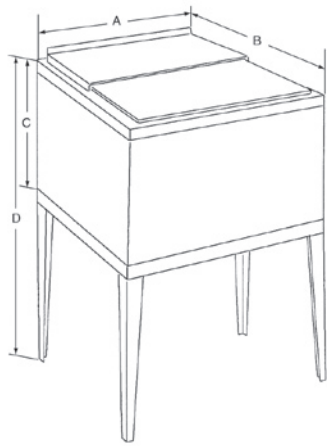
FEATURES:

DROP-IN ICE CHESTS

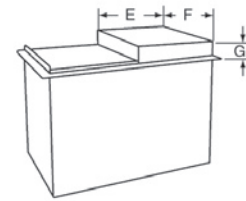
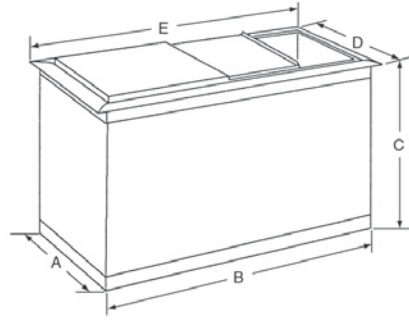
- Fits readily into any counter or bar
- Available in two convenient sizes
- Available with sealed-in cold plates

ICE-TAINER WITH LEGS

- Fits neatly under counters
- With legs detached, may be placed on counter or other support
- Accommodates cold plates for Pre-mix or Post-mix units
- Available in two convenient sizes
- Available with sealed-in cold plates



SHOWN WITH
CUSTOM BASE



SHOWN WITH CUSTOM BASE



INSERTED IN COUNTER

ICE-TAINER MEASUREMENTS

Counter cut out should be 1/4" larger than dimensions A and B Below
Optional: All models can be ordered with custom base for mounting of dispenser.

PART NUMBER	MODEL	A	B	C	D	E	F	G	H
162521000	1522	15"	22"	14"	33 1/2"	12"	14 1/2"	3 1/2"	
162515000	2123	23"	21"	14"	33 1/2"	12"	22 1/2"	3 1/2"	

CUSTOM DROP-IN ICE CHEST MEASUREMENTS

162541400	1522	15"	22"	13 3/4"	17"	24"	11 3/4"	14 3/4"	3 3/4"
162540000	2123	21"	23"	13 3/4"	25"	23"	12"	22 1/2"	3 3/4"

Optional: Leg weld assembly available: 163328000-1522 Ice-Tainer, 163329000-2123 Ice-Tainer

TECHNICAL SPECIFICATIONS:

ICE-TAINER

- ICE STORAGE CAPACITY 1522: 60 lbs
2123: 80 lbs
- CONSTRUCTION Stainless steel
- INSULATION Environmentally friendly foam
- ACCEPTABLE COLD PLATE. 1522: 12" x 18"
2123: 17" x 19"
- OPTIONAL COLD PLATE 1522: 13" x 20" 8 circuit sealed-in cold plate
2123: 19" x 21" 9 circuit sealed-in cold plate
- SHIPPING WEIGHT WITHOUT COLD PLATE 1522: 32 lbs
2123: 45 lbs
- SHIPPING WEIGHT WITH SEALED-IN COLD PLATE 1522: 103 lbs
2123: 145 lbs



AGENCY LISTING

CUSTOM DROP-IN ICE CHESTS

- ICE STORAGE CAPACITY. 1522: 60 lbs
2123: 80 lbs
- CONSTRUCTION. Stainless steel with smooth overlapping rim
- INSULATION Environmentally friendly foam
- OPTIONAL COLD PLATE. 1522: 13" x 20" 8 circuit sealed-in cold plate
2123: 19" x 21" 9 circuit pure aluminum sealed-in cold plate
- SHIPPING WEIGHT WITHOUT COLD PLATE 1522: 32 lbs
2123: 46 lbs
- SHIPPING WEIGHT WITH SEALED-IN COLD PLATE 1522: 106 lbs
2123: 145 lbs



AGENCY LISTING



IN THE U.S.A.
Ph: 800.238.3600
Fax: 763.488.4283

OUTSIDE THE U.S.A.
Ph: 763.488.8200
Fax: 763.488.4283

101 Broadway Street West
Osseo, MN 55369
www.cornelius.com