

* Remote condenser shown with optional guard

Features

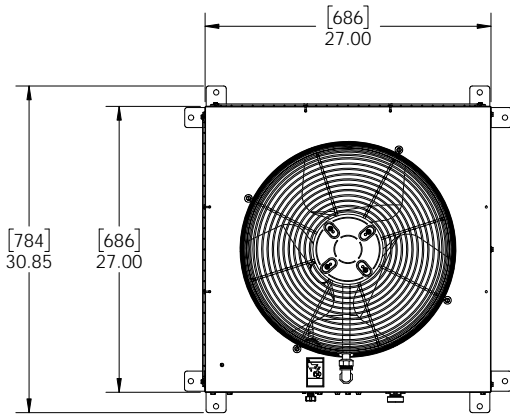
- Lightweight construction and an aluminum coil help reduce weight by nearly 20% compared to previous models.
- Condenser fits through a standard 30" x 36" roof hatch for ease of installation.
- Easy assembly and installation with innovative legs.
- More efficient motor reduces energy usage by 25% - 50%.
- Environmentally responsible – all remote condensers use R404A, an approved non-ozone depleting refrigerant.
- Constructed from sturdy, corrosion-resistant galvanized steel.
- Reduces air conditioning requirements and cost.
- Fan is located outside, ensuring quiet operation for customers.

Required Accessories

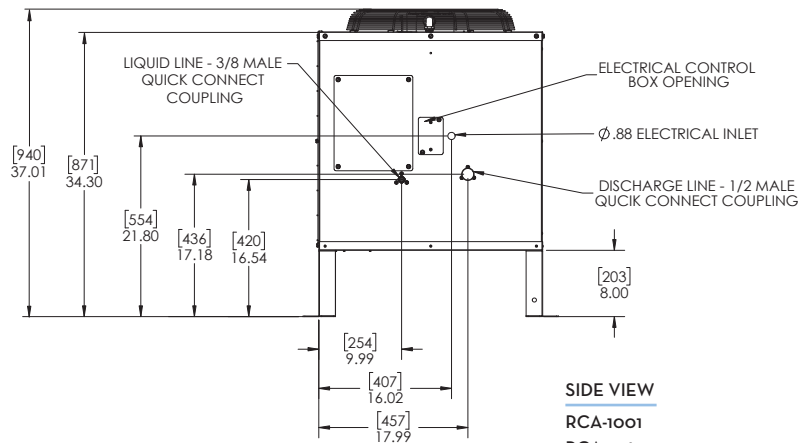
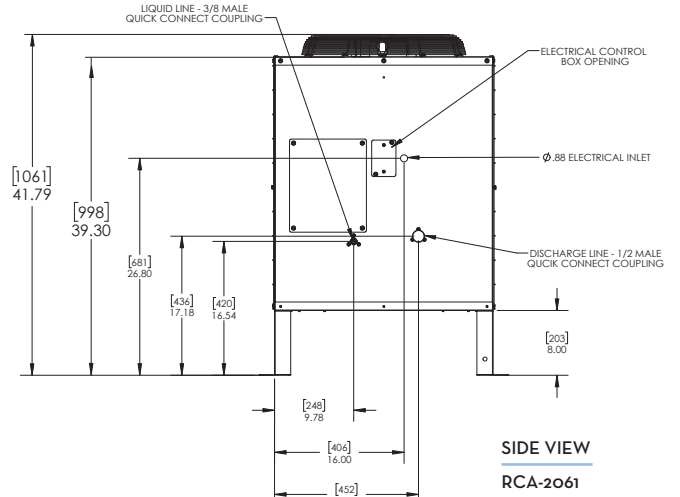
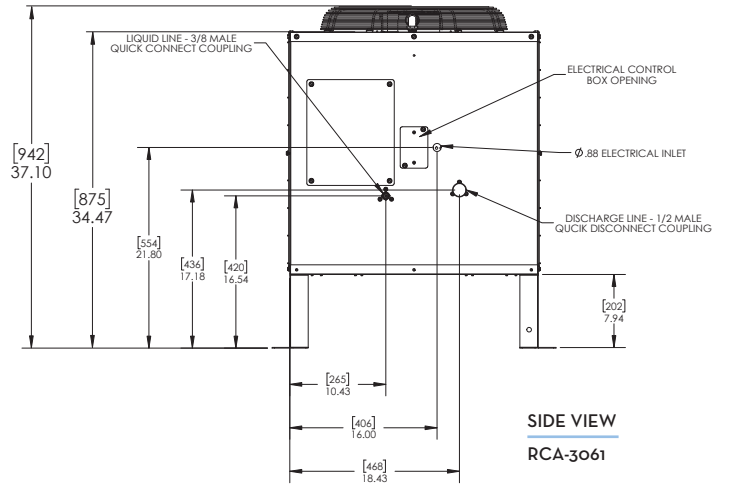
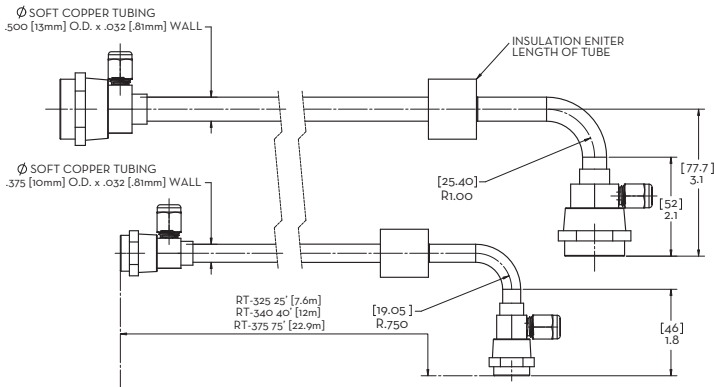
Model Number	Description	Shipping Weight lbs (kg)
RT-325-4O4	25 ft (7.6 m) Precharged Tubing Kit for R404A Models	13 (6)
RT-340-4O4	40 ft (12.0 m) Precharged Tubing Kit for R404A Models	18 (8)
RT-375-4O4	75 ft (22.9 m) Precharged Tubing Kit for R404A Models	36 (16)
1051222-01	Optional Grill Guard Kit for RCA-1001, RCA-1061, RGA-1001-HM and RGA-1061-HM	8 (3.6)
1051222-02	Optional Grill Guard Kit for RCA-2061	12 (5.4)
1051222-03	Optional Grill Guard Kit for RCA-3061	10 (4.5)

Specifications

Model Number	Description	Voltage Characteristics	Fan Watts	Shipping Weight lbs (kg)
RCA-1001	Remote Condenser for model ICEO500R	115/60/1	93.2	97 (44)
RCA-1061	Remote Condenser for model ICEO6O6R, ICE6O5R, ICEO8O5R, ICEO8O6R	208-230/50-60/1		111 (50)
RCA-2061	Remote Condenser for models ICEO926R, ICE10O6R, ICE10O5R, ICE10O7R, ICE14O5R, ICE14O6R, ICE14O7R, ICE15O6R,			119 (54)
RCA-3061	Remote Condenser for models ICE21O6R, ICE21O7R, ICE18o6R, ICE18o7R			97 (44)
RGA-1001-HM	Remote Condenser for models GEMO65OR, MFIO8OOR	115/60/1	93.2	97 (44)
RGA-1061-HM	Remote Condenser for models GEMO956R, GEM13O6R, MF115O6R, MF11256R	208-230/50-60/1		



TOP VIEW - ALL MODELS



NOTES:
Number of Wires: 3 (including ground)
Refrigerant Type: R404A