

MillenniumII4000

Gulf ICE Systems, Inc.

4 Flavor Post-Mix Juice Dispenser

- Four product selections plus chilled water
- For use with closed container (BIB) juice packaging
- Unique mixing valve and nozzle provide a quality drink on every dispense, over a wide range of juice/drink concentrates
- Large capacity ice bank increases draw capacity, consistently pouring a cold drink
- Solid state ice bank control
- Easy-to-adjust mixing system controls and maintains a consistent finished drink
- Available with new contemporary cabinet design which is a blend of attractive black plastic and sturdy stainless steel
- Completely self contained pumping system. No additional pumps or air supply needed.
- Lighted merchandiser is standard
- Push button or programmable portion controlled dispensing available



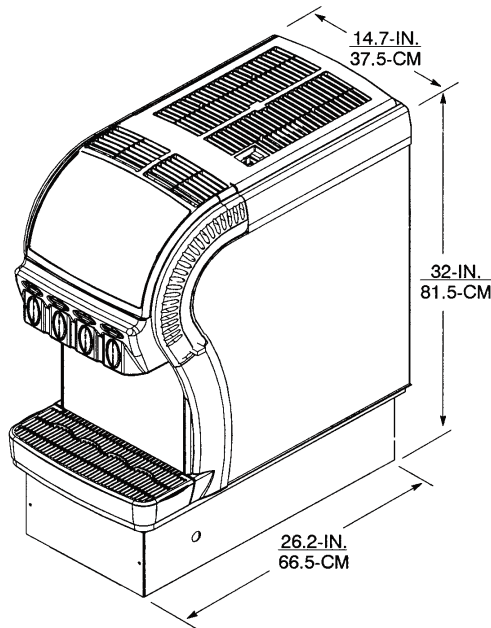
©2006 IMI Cornelius, Inc.
CV8677-1006

JUICE



7790 Sears Blvd. Pensacola, FL 32514
 P.O. Box 15151




PH: (850) 474-1784
 FX: (850) 477-2458



STAINLESS STEEL PART NUMBER	DESCRIPTION
621056514	Millennium 4 Flavor PB 115 V / 60 Hz
621056515	Millennium 4 Flavor PC 115 V / 60 Hz
621056523	Millennium 4 Flavor PB 230 V / 50 Hz
621056524	Millennium 4 Flavor PC 230 V / 50 Hz

Contact customer service for drawings and dimensions.

TECHNICAL SPECIFICATIONS:

DESCRIPTION	Millennium II 4000: 115 V / 60 Hz, 1 Phase / 6.1 Amps	WEIGHT	Operating 175 lb (79.4 kg) Shipping 110 lb (50 kg)
	Millennium II 4002: 220 V / 50 Hz, 1 Phase / 3 Amps	RECOMMENDED CLEARANCE ..	Side: 6" (16 cm) Top: 18" (46 cm)
REFRIGERATION	1/3 HP, Hermitically sealed system (198.4 g) 5.5 oz R-134A refrigerant	WATER CONNECTION	0.645" (0.95 cm) SAE male flare fitting on dispenser
ICE BANK	14 lb	WATER SUPPLY REQUIREMENTS ..	100 psi (6.8 bar) max static pressure 20 psi (1.4 bar) min dynamic pressure
INITIAL PULLDOWN	4 hr 30 min	AGENCY LISTINGS	  
DISPENSER DIMENSIONS	32"H x 14.7"W x 26.2"D (815 mm x 375 mm x 665 mm)		

Gulf ICE Systems, Inc.

1-800-322-4853

