

MillenniumII6000

Gulf ICE Systems, Inc.

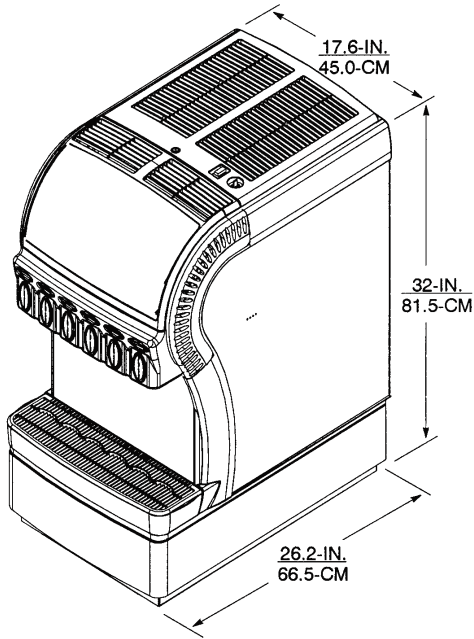
6 Flavor Post-Mix Juice Dispenser

- Six product selections plus chilled water
- For use with closed container (BIB) juice packaging
- Unique mixing valve and nozzle provide a quality drink on every dispense, over a wide range of juice/drink concentrates
- Large capacity ice bank increases draw capacity, consistently pouring a cold drink
- Solid state ice bank control
- Easy-to-adjust mixing system controls and maintains a consistent finished drink
- Available with new contemporary cabinet design which is a blend of attractive black plastic and sturdy stainless steel
- Completely self contained pumping system. No additional pumps or air supply needed
- Lighted merchandiser is standard
- Push button or programmable portion controlled dispensing available








7790 Sears Blvd. Pensacola, FL 32514
 P.O. Box 15151
 PH: (850) 474-1784
 FX: (850) 477-2458



STAINLESS STEEL PART NUMBER	DESCRIPTION
621056513	Millennium 6 Flavor PB 115/60
621056516	Millennium 6 Flavor PC 115/60
621056519	Millennium 6 Flavor PB 230/50
621056520	Millennium 6 Flavor PC 230/50

Contact customer service for drawings and dimensions.

TECHNICAL SPECIFICATIONS:

DESCRIPTION.....	Millenium II 6000: 115 V / 60 Hz, 1 Phase / 11.1 Amps Millenium II 6002: 220 V / 50 Hz, 1 Phase / 5.5 Amps	WEIGHT	Operating: 220 lb (100 kg) Shipping: 140 lb (63.5 kg)
REFRIGERATION.....	1/3 HP, Hermitically sealed system (198.4 g) 5.5 oz R-134A refrigerant	RECOMMENDED CLEARANCE ..	Side: 6" (16 cm) Top: 18" (46 cm)
ICE BANK	25 lb	WATER CONNECTION	0.375" (0.95 cm) SAE male flare fitting on dispenser
INITIAL PULLDOWN	5 hr	WATER SUPPLY REQUIREMENTS.....	100 psi (6.8 bar): Max static pressure 20 psi (1.4 bar): Min dynamic pressure
DISPENSER DIMENSIONS	32"H x 17.6"W x 26.2"D (81.5 cm x 45 cm x 66.5 cm)	AGENCY LISTINGS	  

Gulf ICE Systems, Inc.

1-800-322-4853

