



Vantage Juice

Overcounter Electric

FEATURES:

- Only 54.61 cm (21.5") tall
- Four and five valve models
- Stainless lower wrap
- Sculptured hood
- Drop-in refrigeration chassis
- Compact coil and valve assembly
- One piece lower housing
- 1/3 h.p. compressor
- Designed for high ambient use
- Durable stainless steel cabinetry



Gulf ICE Systems, Inc.

Technical Specifications:

Compressor: 1/3 h.p.

Condenser Finish: Copper, aluminum

Cup Clearance: 24 cm (9.75")

Stabilized Average Icebank: 6.4 kg (14 lb)

Refrigerant: R-134a

Ice Bank Control: Electronic

Syrup Inlet Fitting: 3/8" barb

Water Inlet Fitting: 1/4" flare

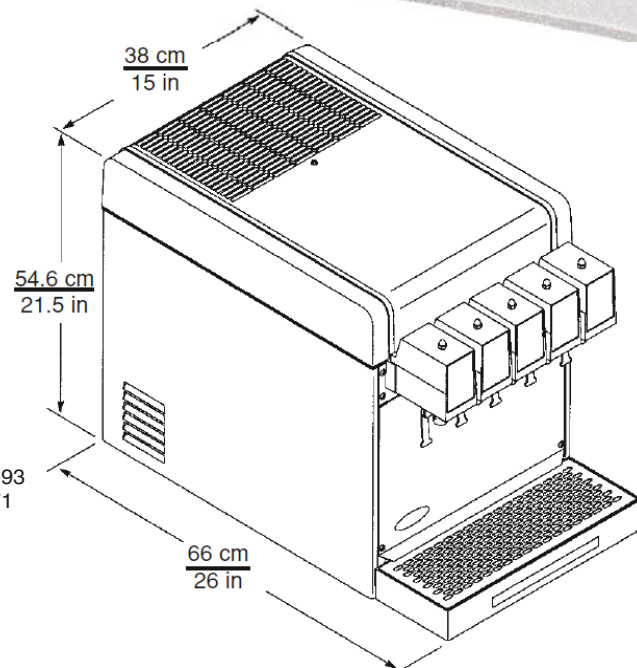
Valve Types: UF-1 Lever or push button

Draw Performance: Number of drinks below 4.4°C (40°F)
24° C (75°F) ambient w / draw rate of two 355 MI (12 oz.) drinks per minute = 193
32° C (90°F) ambient w / draw rate of two 355 MI (12 oz.) drinks per minute = 71

Electrical Requirements: 115V / 60Hz / 7.4A

Shipping Weight: 44 kg (98 lb)

Agency Listings:   



© 2010 Gulf Ice Systems, Inc. (Specifications Provided by Manufacturer)
7790 Sears Blvd., Pensacola, FL 32514 [Fax: 850-477-2458]



1-800-322-4853
sales@gulficesystems.com