



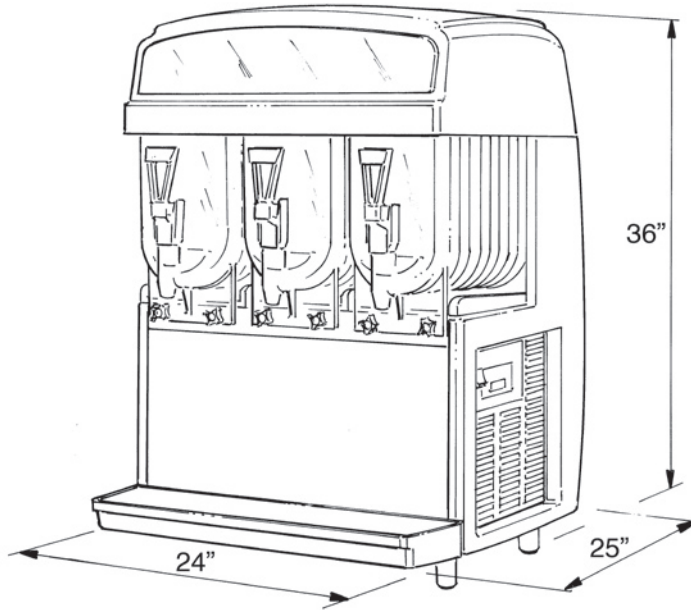
ICE FROST – 3 BOWL

VISUAL FROZEN CARBONATED
BEVERAGE DISPENSER



FEATURES:

- Post-Mix model – BIB syrup
- Auto Fill System (AFS)
- Pressurized system. Sealed bowls pressurized with CO₂ increases product quality and preserves freshness while providing flexibility to deliver various products, juice, tea, coffee, dairy or cola, with over run which increases profits.
- Can be connected to existing fountain carbonated water supply
- Independent cooling Systems. Each bowl is equipped with an individual cooling system that provides optimum flexibility. Quicker pull down time translates to higher drink capacity
- Electronic control system. Provides programmable defrost periods and system diagnostics.
- Fan cooled drive system. Reduces gearbox temperature and improves life
- Attractive styling. Highly visible product drives impulse purchases. Illuminated merchandising on top and rear grabs customer attention. Provides opportunity for customization
- Easy to maintain. Components can easily be removed for cleaning. Easy access condenser air filter
- Environmentally responsible R-404a refrigerant



PART NUMBER	VOLTAGE	AMPS	FUSE	DESCRIPTION
621057290	115 V / 60 Hz	21.5	30	IceFrost Post-Mix 3 Bowl Auto Fill
1624	115 V / 60 Hz	7.2	10	Low Profile Large Reserve Carbonator with Vent to Air Check Valve
48186G052	115 V / 60 Hz	7.2	10	Prechiller – Super Astra
629088445	n/a	n/a	n/a	IceFrost Clean-in-Place Kit

TECHNICAL SPECIFICATIONS:

BOWL CAPACITY 2.1 gal (8 L)/bowl
ELECTRICAL RATING 115 V / 60 Hz / 30 Amps
 NEMA L5-30P plug
INSTALLATION REQS Allow 8" (20 cm) minimum
 clearance around back
 and 8" (20 cm) clearance
 around both sides
POST-MIX ONLY Carbonated water supply
 0.25" (6.5 mm) barb
 connection, BIB pump &
 rack, 3 pump 0.25"
 (6.5 mm) barb connection

OPTIONAL ACCESSORIES Carbonator, pre-chiller,
 cleaning device
WEIGHT Dispenser (296 lb)

AGENCY LISTINGS   

