



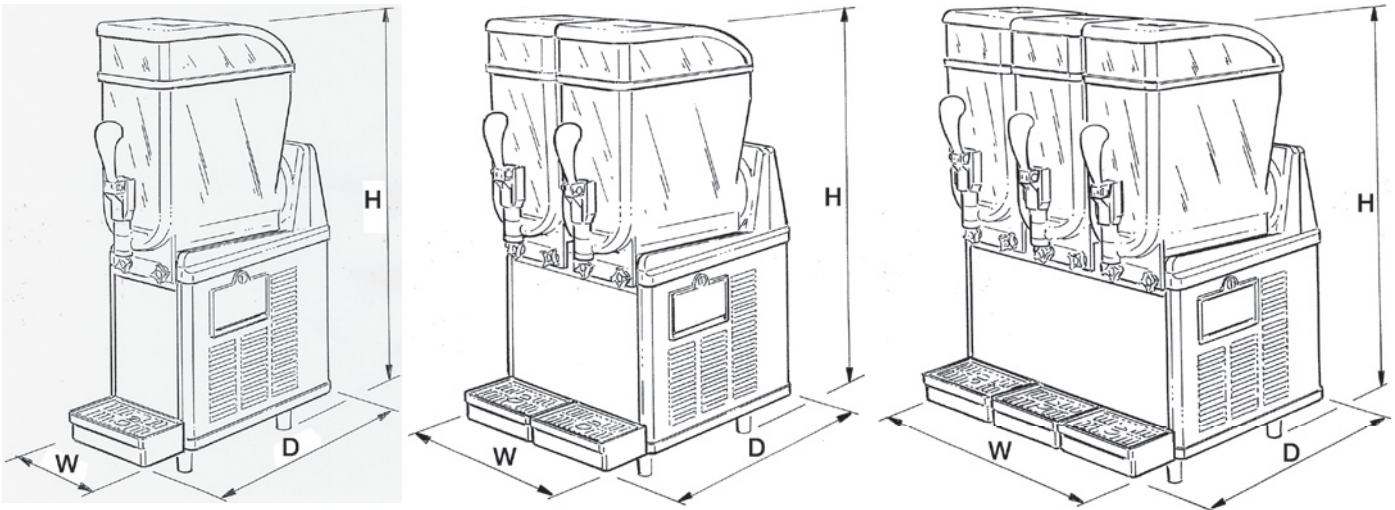
ICE PEAK

FROZEN UNCARBONATED
BEVERAGE DISPENSER
(1, 2 & 3 BOWL MODELS)



FEATURES:

- Single, double and triple bowl units perfect for serving slushes, smoothies, frozen cocktails, ice cappuccino and more
- Bowl capacity is 3.17 gal (12 L)
- Patented double-mixing system perfectly blends product delivering a quality beverage every time
- Removable condenser air filter ensures trouble-free operation
- Attractive appearance and stylish design is aesthetically appealing and lighted merchandising on lids and rear of unit attracts attention
- Simple to clean as each component removes easily
- Narrow footprint for efficient use of counter space
- Optional electronic controls include a programmable defrost timer for simplified operation
- Optional Auto Fill System (AFS) ensures that bowl(s) remain at a constant level, eliminating the need to manually fill and providing a consistent-tasting, quality beverage
- Environmentally responsible R-404a refrigerant
- Economy version also available





MODEL	DIMENSIONS
Single Bowl	34.5"H (86.6 cm) x 8.75"W (22.2 cm) x 23"D (58.4 cm)
Double Bowl	34.5"H (86.6 cm) x 16.5"W (41.9 cm) x 23"D (58.4 cm)
Triple Bowl	34.5"H (86.6 cm) x 23.6"W (59.9 cm) x 23"D (58.4 cm)

PART NUMBER	VOLTAGE	DESCRIPTION
M621057201	115 V / 60 Hz / 8 Amps	1 Bowl, Manual Fill, Switch Control, Clock Timer Defrost
M621057204	115 V / 60 Hz / 13.8 Amps	2 Bowl, Manual Fill, Electronic Control, Electronic Timer Defrost
M621057235	115 V / 60 Hz / 13.8 Amps	2 Bowl, Manual Fill, Switch Control, Clock Timer Defrost
M621057207	115 V / 60 Hz / 15.8 Amps	3 Bowl, Manual Fill, Switch Control, Clock Timer Defrost
M621057276	For all above Part Numbers	Auto Fill Retrofit Lid Kit (1 required per Bowl)
M621057213	115 V / 60 Hz	2 Bowl, Auto Fill Kit (5:1 ratio liquid concentrate)

TECHNICAL SPECIFICATIONS:

ELECTRICAL RATINGS..... 115 V / 60 Hz
 BOWL CAPACITY 3.17 gal (12 L) liquid
 EXTERNAL FINISH Stainless Steel
 OPTIONS..... Retrofit auto fill lid,
 auto fill kit

WEIGHT Single Bowl (88 lb)
 Double Bowl (154 lb)
 Triple Bowl (220 lb)

AGENCY LISTINGS  
 Sanitation
 (to NSF Std. 18 & 6)

