



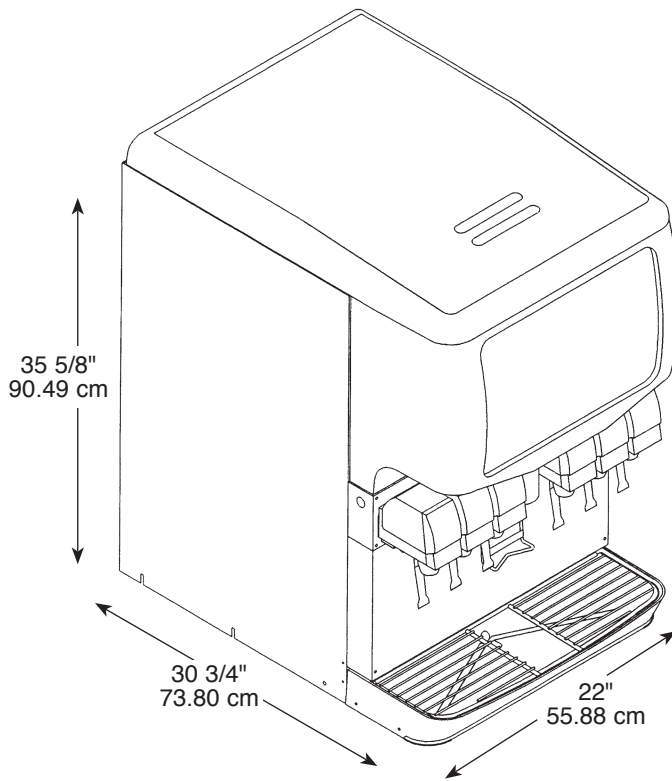
ENDURO 150

POST-MIX ICE DRINK DISPENSER



FEATURES:

- 150 lb ice capacity
- Available with 6 UFB-1™ sanitary lever or push button valves
- Illuminated merchandiser delivers high impact marketing message
- Gravity ice dispensing with positive shut-off provides excellent ice targeting
- Ice used to cool cold plate is separate from ice dispensed into cups
- One piece ABS thermoformed plastic ice storage hopper (Durabide™ design) provides durability and ensures all ice in the hopper is dispensable
- Unit readily accepts top mount cubers with manual ice fill capability
- Stainless steel cabinet
- Modular design allows for easy component access from the front of the unit
- TotalFlex™ – easily changes from carbonated to non-carbonated



PART NUMBER	DESCRIPTION
621053405	Enduro 150 Ice Drink Dispenser with 6 UFB-1™ 2-4 oz Sanitary Lever Valves
621053404	Enduro 150 Ice Drink Dispenser with 6 UFB-1™ 2-4 oz Push Button Valve
3472	Enduro 150 Dispenser Stand - Stainless Steel: 30"H x 22"W x 30"D

See price book for ice maker adapter kit.

TECHNICAL SPECIFICATIONS:

ICE STORAGE CAPACITY 150 lb (68.04 kg)

BEVERAGE MANIFOLDING TotalFlex

CUP CLEARANCE 10" (25.4 cm)

COOLING CAPACITY 10-12 oz drinks /
min @ 75°F




DRAIN CONNECTION 0.75" PVC (NPT) or
1" ID flexible tubing

GRAPHIC SIZE Overall:
11.4"H x 16.6"W
Viewable:
10.608"H x 16.3"W

STANDARD FEATURES Beverage key switch,
timed ice agitation
and 4" legs

ELECTRICAL REQUIREMENTS . . . 115 V / 60 Hz / 3 Amps

SHIPPING WEIGHT 240 lb (108.86 kg)

AGENCY LISTINGS   
City of Los Angeles



IN THE U.S.A.
Ph: 800.238.3600
Fax: 763.488.4283

OUTSIDE THE U.S.A.
Ph: 763.488.8200
Fax: 763.488.4283

101 Broadway Street West
Osseo, MN 55369
www.cornelius.com