



TRY A REFRESHING IDC PRO

INTERACTIVE POST-MIX ICE DRINK DISPENSER

Revolutionary NEW interactive platform!

Fun and easy new scrolling interface for brand selection

Contemporary design

Large Digital Merchandising & Promotional Space

20 brands (10 per side)
8 Flavors (4 per side)

Easy-to-Clean Splash Panel

Standard BIB syrup

Dual Pivot Door



- Dual Dispense Nozzle
- Integrated Ice Maker Kit
- On-Board Diagnostic Service
- Dual-Touch Screen and User Interface
- IDC Platform Cold Carb
- Multi-Flavor Valves
- Lighting for targeting drink into cup
- ADA Compliant

FEATURES

NEW! Tap and scroll interface to make your selections

Choices - Interactive Dispense - Up to 20 brands (10 on each side 7 chilled and 3 ambient) and up to 8 flavor shots (4 per side), over 3,260 drink combinations

Merchandising - Commercial-grade HD promotional display 32" diagonal customizable video merchandiser delivers unique marketing message

Dispense Points - Dual touch screen/dual nozzle for simultaneous brand and flavor dispense

Dual Pivot Door (Zero clearance)- Ease of service and maintenance when units are side-by-side

Large ice capacity- 255 lb. ice capacity

Universal Adapter Kit - No adapter kit required for standard ice makers 22"W x 24"D or 30"W x 24"D

Durable - One-piece ABS thermoformed plastic (Durabide™ design) provides durability and ensures all ice in hopper is dispensable

Flexible - Can dispense cubed or chewable soft ice

Ease of Use - Modular design allows for easy component access from the front of the unit

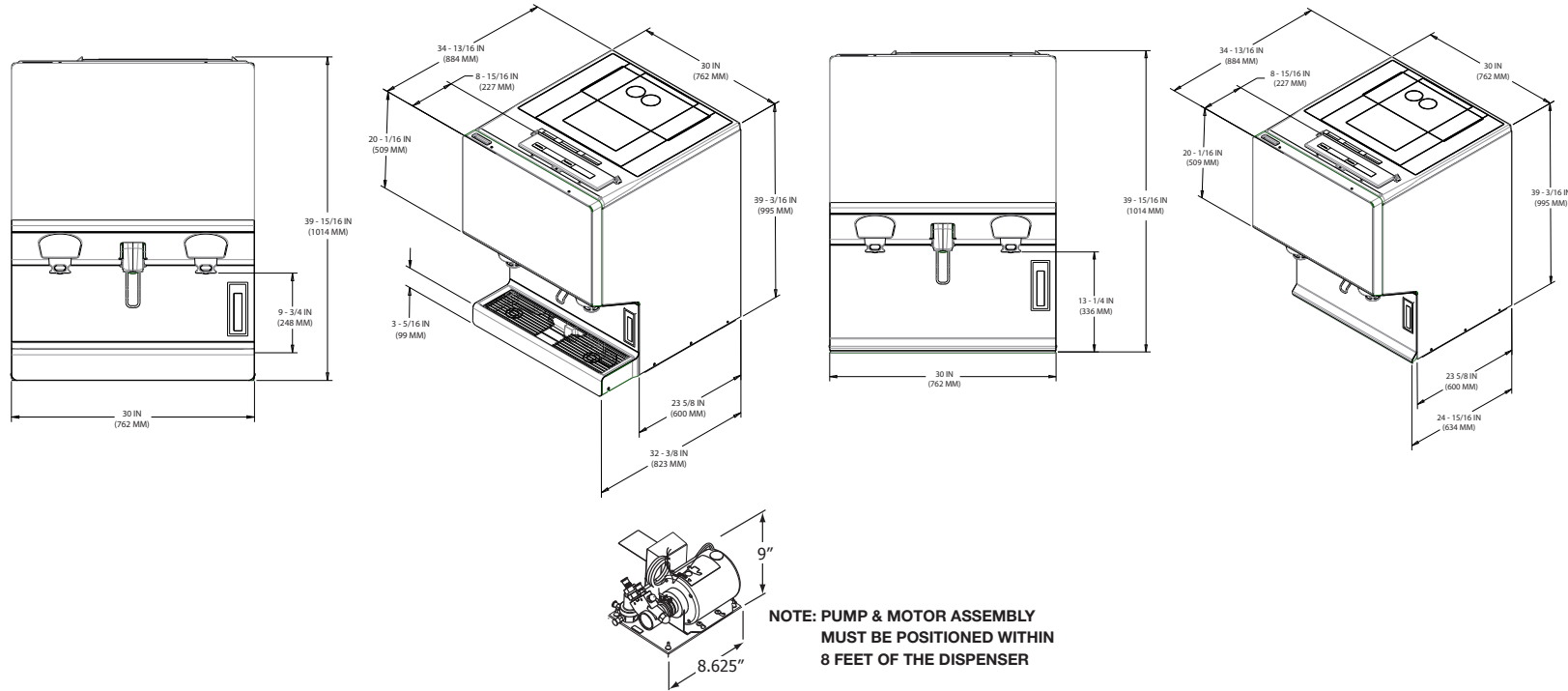
Easy to Clean - Polycarbonate material, merchandising, and lower panel. Scratch resistant.

ADA Compliant - Meets ADA requirements on a 34" counter

Flavor Shot - Blends with drink or top off for extra flavor

IDC Pro with Drip Tray

IDC Pro without Drip Tray



**NOTE: PUMP & MOTOR ASSEMBLY
MUST BE POSITIONED WITHIN
8 FEET OF THE DISPENSER**

| PART NUMBER | DESCRIPTION |
|-------------|--|
| 621058656 | IDC Pro (with drip tray) 20 brands (10 per side) 8 flavor shots (4 per side) |
| 621058657 | IDC Pro Z-Style (without drip tray) 20 brands (10 per side) 8 flavor shots (4 per side) |

Units come standard with universal adapter kit. No adapter required for standard ice makers 22"W x 24" D or 30"W x 24"D. For ice makers of a different size, contact Customer Care.

TECHNICAL SPECIFICATIONS

DIMENSIONS 39 3/16"H x 30"W x 34 1/2"D

SCREEN DIMENSIONS 32" Diagonally

VIDEO FORMAT MP4 (H.264) (1920x800)

VIDEO MAX SIZE 2GB

STILL IMAGESjpg or .png (1920x800)

BRAND IMAGE FORMATpng (175x175 pixels)

FLAVOR SHOT IMAGE FORMAT . . .png (225x225 pixels)

COUNTER WEIGHT 440 lb (plus ice weight)

SHIPPING WEIGHT 545 lb

CAPACITY 255 lb ice bin capacity for cubed & chunklet (compressed) ice

AMP DRAW 120 V / 60 Hz / 8.5 Amps

ELECTRICAL RATING 115 V +/- 10% (only requires single outlet)

WATER SUPPLY PRESSURE 50-60 psi at pump

CO₂ 75 psi at carbonator tank

STANDARD FEATURES Timed agitation, electronic beverage keyswitch and 4" legs

20 BRAND SYRUPS:
(14 CHILLED / 6 AMBIENT) 60 psi/min

8 FLAVOR SHOT SYRUPS:
(AMBIENT) 20-25 psi/max

VALVE 20 touch screen brands(10/nozzle)
8 touch screen flavor shots (4 per nozzle)
Electronic TotalFlex

FLOW RATE FOR BRANDS 3oz./sec valves

CUP CLEARANCE 9.75"

AGENCY LISTINGS



Coca-Cola has approved the use of Trademarks but use of the Trademarks does not imply that Coca-Cola has approved or endorses the equipment.