



QUANTUM™ 2000

Two-Flavor, Post-Mix Juice Dispenser



Features

- Two product selection
- Narrow profile is 10-fl" (27.28 cm) wide
- High performance peristaltic pumps and a unique mixing valve assures elimination of stratification
- Large concentrate capacity
- Tamper resistant and disposable packaging
- Modular component design provides ease of sanitation and service
- New contemporary cabinet design is a blend of attractive black plastic and sturdy stainless steel
- Easy-to-adjust brixing system controls and maintains a consistent finished drink
- Lighted merchandiser is standard
- Push button or programmable portion controlled dispensing available

CATF 8225

J U I C E D I S P E N S E R



Quantum 2000

SPECIFICATIONS

DESCRIPTION

Model SLJ1000-2

- 115 volts, 60 Hz, 9.43 amps
- 220 volts, 50 Hz, 5 amps

REFRIGERATION

- 1/3 H.P. hermetically sealed system
- R-134a refrigerant 6.25 oz. (177 g)

CABINETRY

Stainless steel

DISPENSER DIMENSIONS

Height (with 4" legs)34 1/2" (87.62 cm)
 Width10 3/4" (27.28 cm)
 Depth27 1/4" (69.15 cm)

WEIGHT

Dry weight115 lbs. (52.21 kg)
 Shipping weight130 lbs. (59.02 kg)

RECOMMENDED CLEARANCE

4" (10.16 cm) in back, 12" (30.48 cm) on top, and open to the front for air circulation

WATER CONNECTION

3/8" (.95 cm) SAE male flare fitting on dispenser

CONCENTRATE STORAGE

320 oz. (9.47 L)

WATER SUPPLY REQUIREMENTS

- 100 psi (7 kg/sq. cm) maximum static pressure
- 20 psi (1.4 kg/sq. cm) minimum dynamic pressure

COOLING CAPACITY

Continuous 5 oz. (147.85 ml) drinks at 4 per minute with 75°F (24°C) concentrate without exceeding 45°F (7°C) drink temperature

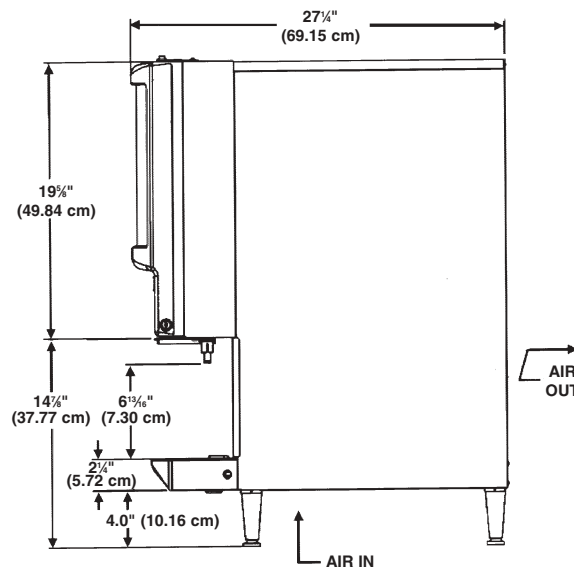
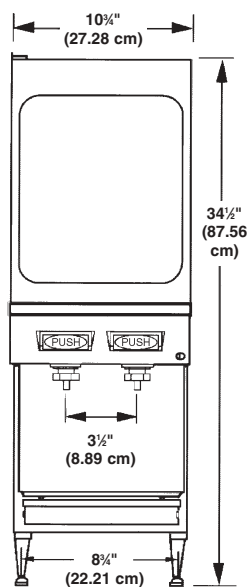
FLOW RATE

Adjustable water flow rate from 1.6 oz./sec. (47.31 ml/sec.) to 2.2 oz./sec. (65.05 ml/sec.); handles 2 + 1 through 7 + 1 concentrate

OPTIONAL ACCESSORIES

- 160 oz. (4.7 L) H.D.P.E. refillable concentrate container
- Illuminated merchandiser
- Portion control
- Sanitizing tank kit
- Dispense key lock
- Extended splash panel kit (lowers drink tray)

AGENCY LISTINGS



For more information or to place an order, contact your sales representative or authorized distributor.

In the US:
 Phone: 1-800-238-3600
 Fax: 1-800-535-4235
Outside the US:
 Phone: 1-763-421-6120
 Fax: 1-763-422-3297

IMI Cornelius Inc.
 One Cornelius Place
 Anoka, MN 55303-6234
 USA