



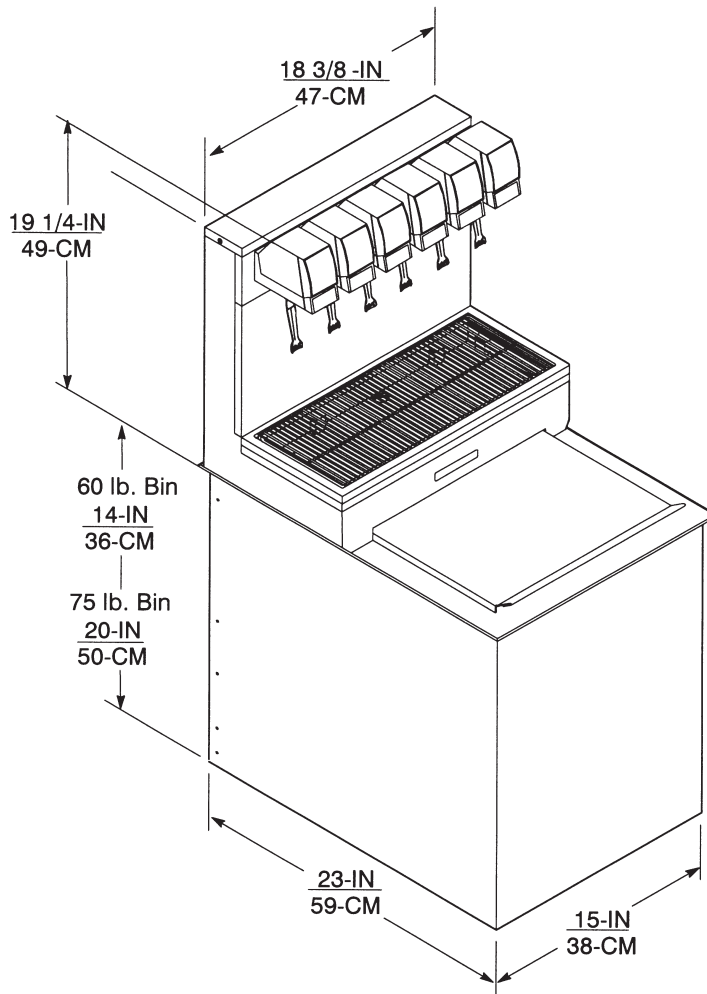
1522

POST-MIX DROP-IN DISPENSER



FEATURES

- Large ice capacity** - Ice chest has 60 lb or 75 lb capacity
- Valves** - Standard UFB-1™ fast flow valves
- Insulated** - Foamed polyurethane insulation
- Secure** - Key lock switch conveniently located on tower
- Durable** - All stainless steel construction



| PART NUMBER | DESCRIPTION |
|-------------|------------------------------------------------------------------------------|
| 631100043 | 1522 Drop-in dispenser with 5 UFB-1™ 2-4 oz sanitary lever valves, 60 lb bin |
| 631100045 | 1522 Drop-in dispenser with 6 UFB-1™ 2-4 oz sanitary lever valves, 60 lb bin |
| 631100044 | 1522 Drop-in dispenser with 5 UFB-1™ 2-4 oz sanitary lever valves, 75 lb bin |
| 631100046 | 1522 Drop-in dispenser with 6 UFB-1™ 2-4 oz sanitary lever valves, 75 lb bin |
| 630001217 | Cabinet stand for 1522 drop-in dispenser, assembled |
| 630001204 | Cabinet stand for 1522 drop-in dispenser, not assembled |

TECHNICAL SPECIFICATIONS

COUNTERTOP CUT OUT 15.25"W x 23.25"D

OPTIONS Lighted merchandiser,
Cabinet stand

ELECTRICAL RATING 115 V / 1.5 Amps
24 V at valves

AGENCY LISTINGS

