



## 2323 UNIVERSAL POST-MIX DROP-IN DISPENSER



### FEATURES

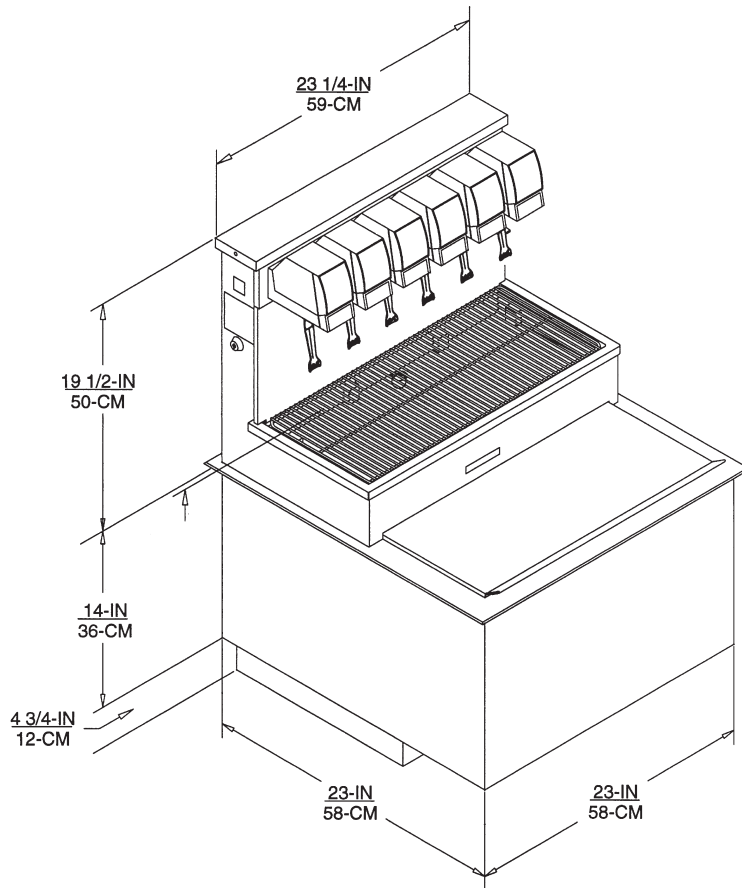
**Large ice capacity** - Ice chest has 80 lb capacity

**Options** - Available with 5, 6, or 8 valves (8 valve has 2 ambient syrups and 6 chilled syrups)

**Insulated** - Foamed polyurethane insulation

**Convenient** - Front inlet fitting location

**Ease of use** - Large, extended drip tray provides extra room for cup staging and is removable for ease in cleaning




PART NUMBER	DESCRIPTION
631100048	Drop-in dispenser with 5 UFB-1™ 2-4 oz sanitary lever valves, 80 lb bin
631100049	Drop-in dispenser with 6 UFB-1™ 2-4 oz sanitary lever valves, 80 lb. bin
631100050	Drop-in dispenser with 8 UFB-1™ 2-4 oz sanitary lever valves, 80 lb bin
162111002	Drop-in ice chest with sealed in nine circuit cold plate and slotted rim
162111004	Drop-in ice chest with sealed in nine circuit cold plate
162540000	Drop-in ice chest without sealed in cold plate
630001218	Cabinet stand for 2323 drop-in dispenser, assembled
630001205	Cabinet stand for 2323 drop-in dispenser, not assembled

## TECHNICAL SPECIFICATIONS

TYPE OF VALVES . . . . . UFB-1™ post-mix  
 NUMBER OF VALVES . . . . . 5, 6 or 8  
 CUP CLEARANCE . . . . . 9.75" (248 mm)  
 COUNTER TOP CUT OUT . . . . . 23.25" x 23.25"  
 (591 mm x 591 mm)  
 ICE STORAGE CAPACITY . . . . . 75 lb (34 kg)  
 DRAIN SIZE . . . . . 0.75" (19.1 mm)  
 flexible hose

CONNECTIONS . . . . . Water: 0.375" (9.5 mm)  
 barb fitting  
 Syrup: 0.375" (9.5 mm)  
 barb fitting  
 ELECTRICAL REQUIREMENTS . . 120 V / 60 Hz / 1 Amp  
 SHIPPING WEIGHT . . . . . 235 lb (107 kg)

AGENCY LISTINGS . . . . .   
 Transformer is UL  
 and cUL listed.

