

VCL-24ULS SERIES

APPLICATIONS

- Designed for automatic collection and removal of condensate from air conditioning, refrigeration and dehumidification equipment when gravity drainage is not possible or practical. Also, suitable for high efficiency oil and gas-fired condensing furnace and condensing boiler equipment.

FEATURES

- 1 gallon collection tank
- Vertical centrifugal pump design
- 1/18 hp, fan cooled, concentric motor
- Stainless steel motor shaft
- Automatic start and stop operation
- Includes float (solid polymer) activated switch for automatic high-level water detection (overflow detection switch)
- Overflow detection switch: dual function NO and NC operation (set to NO from factory for equipment shut down connection)
- Overflow detection switch includes two 5" switch lead wires
- 3/8" barbed discharge adapter (for use with 3/8" I.D. vinyl tubing)* installed
- *Optional check valve adapter for 3/8" vinyl tubing included in box
- *Optional check valve for 3/8" O.D. copper tube sold separately (Part Number 599063)
- Two 1-1/8" diameter inlet openings
- Thermally protected, fan cooled motor
- Maximum water temperature: 120 °F
- 6 ft, 3-conductor cable with grounded 3-prong plug



SERIES SPECIFICATIONS

Item No.	Model	HP	Input Voltage	Hz	Amps (FLA)	Watts (kW)	Discharge Size	Performance GPH (LPH) @ Head				Shut-Off Ft.	PSI	Cord	Weight (lbs)
								1'	3'	5'	9'				
553206	VCL-24UL	1/18	115	60	2.5	148	1/4" FNPT x 3/8" (9.5 mm) OD Barbed	270 (1023.3)	260 (985.4)	250 (947.5)	210 (796)	24 (7.3 m)	10.4	6 (1.8 m)	8.2 (3.7 Kg)
553201	VCL-24ULS	1/18	115	60	2.5	148	1/4" FNPT x 3/8" (9.5 mm) OD Barbed	270 (1023.3)	260 (985.4)	250 (947.5)	210 (796)	24 (7.3 m)	10.4	6 (1.8 m)	8.2 (3.7 Kg)
14940371	VCL-24ULS*	1/18	115	60	2.5	148	1/4" FNPT x 3/8" (9.5 mm) OD Barbed	270 (1023.3)	260 (985.4)	250 (947.5)	210 (796)	24 (7.3 m)	10.4	6 (1.8 m)	9.25
553211	VCL-24ULS	1/18	230	50/60	1.2	148	1/4" FNPT x 3/8" (9.5 mm) OD Barbed	270 (1023.3)	260 (985.4)	250 (947.5)	210 (796)	24 (7.3 m)	10.4	6 (1.8 m)	8.2 (3.7 Kg)
14940372	VCL-24ULS*	1/18	230	50/60	1.2	148	1/4" FNPT x 3/8" (9.5 mm) OD Barbed	270 (1023.3)	260 (985.4)	250 (947.5)	210 (796)	24 (7.3 m)	10.4	6 (1.8 m)	9.25 (14.2 Kg)

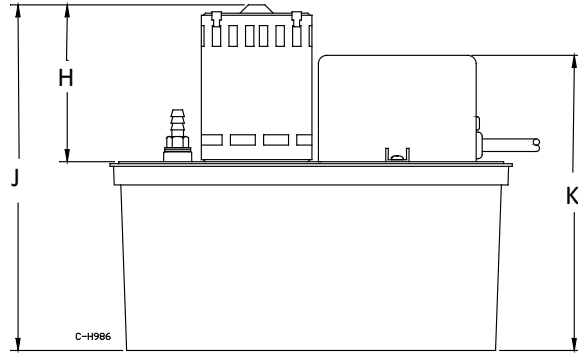
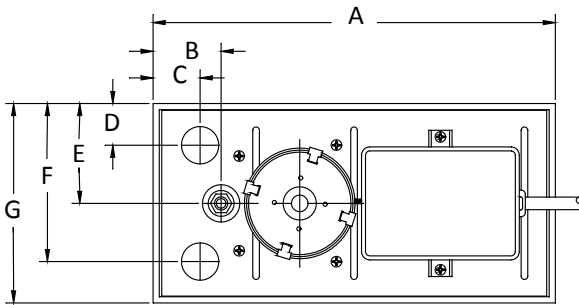
Note: 3/8" ID x 20 ft. tubing

VCL-24ULS SERIES

REPLACEMENT PARTS & KITS

Item	Part Number
Tank	153502
Cover, Volute	153110
Impeller	153131
Adapter, 3/8"	153300
Seal Ring	924038
Switch, Pump	950337
Overflow Detection Switch	950333

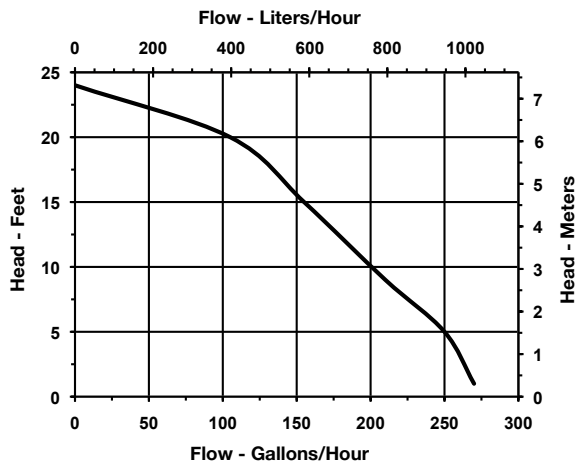
ENGINEERING DATA



A	B	C	D	E	F	G	H	J	K
12.11 (307.59)	2.04 (51.82)	1 (25.4)	1.25 (31.75)	3 (76.2)	4.75 (120.65)	6 (152.4)	4.72 (119.89)	10.4 (264.16)	8.88 (225.55)

PERFORMANCE DATA

115 V, 60 HZ



CONSTRUCTION

Pump Housing	ABS
Switch Housing	ABS
Tank	ABS
Tank Cover	Galvanized Steel
Motor Shaft	Stainless Steel
Impeller	Polypropylene
Discharge Adapter	Acetal