





773

PRODUCT SPECIFICATIONS



Capacity

| Electric Frequency | 60 Hz | | | 50 Hz | | |
|--|--|-------------|--------------|---|---------------|--------------|
| | Air-Cooled | Remote | Water-Cooled | Air-Cooled | Remote | Water-Cooled |
| Dispenser Type | Air-Cooled | Remote | Water-Cooled | Air-Cooled | Remote | Water-Cooled |
| Barrel Volume | 176 oz | 176 oz | 176 oz | 5,205 mL | 5,205 mL | 5,205 mL |
| Continuous Draw - Single Barrel [§] | - | - | - | 92,269 mL/hr | - | - |
| Continuous Draw - Alternating Barrels [§] | 5,160 oz/hr | 5,760 oz/hr | 5,580 oz/hr | 124,208 mL/hr | 131,306 mL/hr | - |
| Recovery Time [§] | 4 mins | 3.5 mins | 3.5 mins | 4 mins | 3.5 mins | - |
| Refrigeration | 19,000 BTU/hr (20,046 kJ/hr); R-404A/R-448A [†] | | | | | |
| Agency | NSF 18  UL/CSA 60335-1  Complies with UL 60335-1; UL 60335-2-89; IEC 60335-2-75. | | | Complies with IEC/EN 60335-1; IEC/EN 60335-2-75; IEC/EN 60335-2-89; IEC/EN 61000-3-2; IEC/EN 61000-3-3; CISPR 14-1; CISPR 14-2. | | |

[§] Testing completed at 75°F (24°C).

^{||} Volume varies based on barrel faceplate.

[†] R-404A and R-448A refrigeration systems are functionally equivalent.

Electrical Requirements[‡]

| Electric Frequency | 60 Hz | 50 Hz |
|--------------------|---|---|
| Voltage | 215 - 245 VAC ^Δ , Single Phase | 215 - 245 VAC ^Δ , Single Phase |
| Current/Power | 30 Amps | 3,120 W |
| Receptacle | NEMA #L6-30R, 3 Wire | Varies depending on market. |
| Beater Motor | (3) 1/6 HP, 0.85 A | (3) 1/6 HP, 0.81 A |
| Fan Motor | (1) 1/4 HP, 0.83 A | (1) 1/6 HP, 0.60 A |

[‡] General requirements only. Always check dispenser nameplate label for specific rating information. ^Δ Buck-boost transformer or AVR required for operation outside this range.

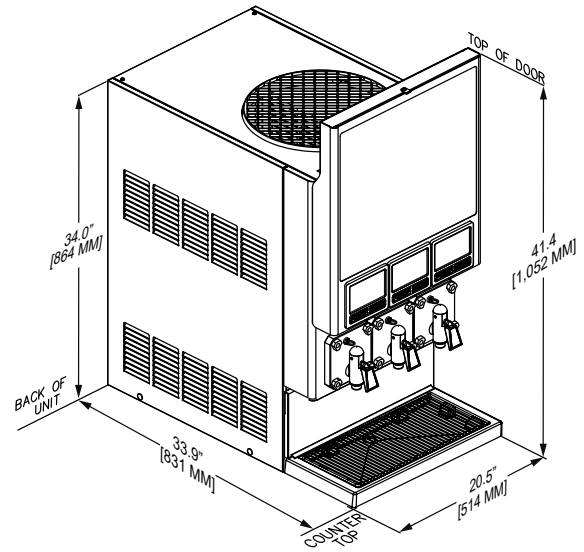
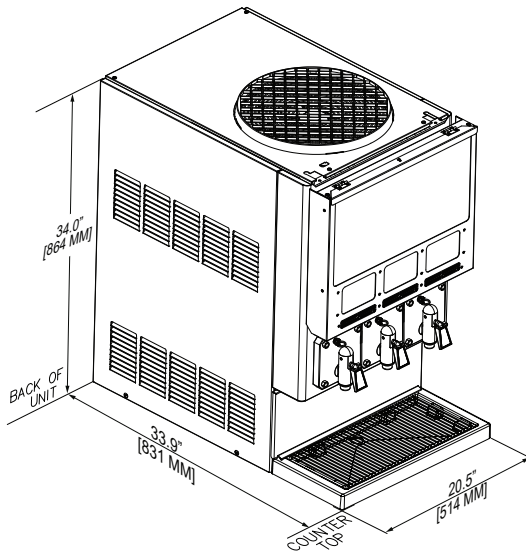
ROHS Compliant. FBD strives for continuous improvements and engineering innovations. Equipment design and/or specifications may change without notice.

©2022, FBD Partnership, L.P. FBD®, the FBD logo, and "Everyone Loves Frozen®" are trademarks of FBD Partnership, L.P., all rights reserved.



Frozen Beverage Dispensers
EVERYONE LOVES FROZEN®

773



Weights & Dimensions

| Measuring System | Imperial | | | Metric | | |
|----------------------------|---|---|--------------|-----------------|-----------------|--------------|
| Door Model | Short Door | Tall Door | Video Door | Short Door | Tall Door | Video Door |
| Height | 34.0 in | 41.4 in | 43.54" | 864 mm | 1,052 mm | 1,106 mm |
| Width | 20.3 in | | | 516 mm | | |
| Depth | 32.5 in | | | 826 mm | | |
| Back/Side Clearance (Min.) | 3 in | | | 76 mm | | |
| Top Clearance (Min.) | 12 - 36 in* | | | 304 - 914 mm* | | |
| Duratrans | 10 in X 20 in | 17 ³ / ₄ in X 20 in | | 254 mm x 508 mm | 451 mm x 508 mm | |
| Flavor Card | 4 ⁷ / ₈ in x 3 ¹ / ₂ in | | | 124 mm x 89 mm | | |
| Dispenser Type | Air-Cooled | Remote | Water-Cooled | Air-Cooled | Remote | Water-Cooled |
| Empty Weight | 359 lbs | 343 lbs | 356 lbs | 163 kg | 156 kg | 162 kg |
| Operating Weight | 393 lbs | 377 lbs | 390 lbs | 178 kg | 171 kg | 177 kg |

* 12 in (304 mm) with side or back open-air conditions, 36 in (914 mm) in equipment alcove.

Water, CO₂ and Syrup Requirements

| Measuring System | Imperial | Metric |
|--|---|--|
| Water System Input | 3/8" Supply Line, 30 PSIG Flowing (minimum) | 3/8" Supply Line, 207 kPag Flowing (minimum) |
| CO ₂ System Input | 70 - 72 PSIG (maximum) | 483 - 496 kPag (maximum) |
| Condenser Water Inlet Flow Rate ^o | 1 - 3 gal / min | 3.8 - 11.4 L/min |
| Condenser Water Inlet Temperature ^o | 40 - 90° F | 4.4 - 32° C |
| Syrup | Input: 70 - 72 PSIG (483 - 496 kPag) | |
| | Bag-In-Box (BIB) Connections, (3) Base Syrups | |

^o For water-cooled dispensers.