





774

PRODUCT SPECIFICATIONS



Capacity

Electric Frequency	60 Hz			50 Hz			
	Dispenser Type	Air-Cooled	Remote	Water-Cooled	Air-Cooled	Remote	Water-Cooled
Barrel Volume	176 oz	176 oz	176 oz	5,205 mL	5,205 mL	5,205 mL	
Continuous Draw - Single Barrel [§]	-	5,280 oz/hr	4,800 oz/hr	-	-	-	
Continuous Draw - Alternating Barrels [§]	5,160 oz/hr	6,240 oz/hr	5,580 oz/hr	-	-	-	
Recovery Time [§]	4 mins	3 mins	3.5 mins	-	-	-	
Refrigeration	19,000 BTU/hr (20,046 kJ/hr); R-404A/R-448A [†]						
Agency	NSF 18  UL/CSA 60335-1  Complies with UL 60335-1; UL 60335-2-89; IEC 60335-2-75.			Complies with IEC/EN 60335-1; IEC/EN 60335-2-75; IEC/EN 60335-2-89; IEC/EN 61000-3-2; IEC/EN 61000-3-3; CISPR 14-1; CISPR 14-2.			

[§] Testing completed at 75°F (24°C).

^{||} Volume varies based on barrel faceplate.

[†] R-404A and R-448A refrigeration systems are functionally equivalent.

Electrical Requirements[‡]

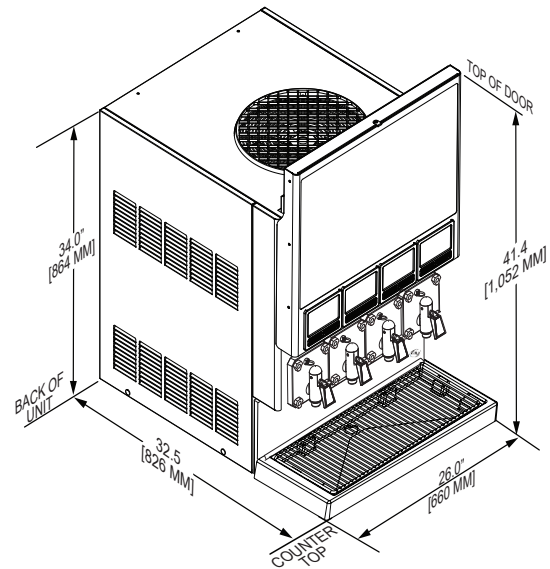
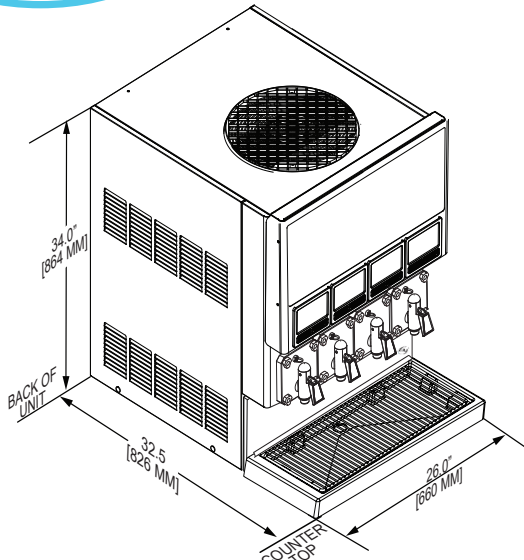
Electric Frequency	60 Hz	50 Hz
Voltage	215 - 245 VAC ^Δ , Single Phase	215 - 245 VAC ^Δ , Single Phase
Current/Power	30 Amps	3240 W
Receptacle	NEMA #L6-30R, 3 Wire	Varies depending on market.
Beater Motor	(4) 1/6 HP, 0.85 A	(3) 1/6 HP, 0.81 A
Fan Motor	(1) 1/4 HP, 0.83 A	(1) 1/6 HP, 0.60 A

[‡] General requirements only. Always check dispenser nameplate label for specific rating information. ^Δ Buck-boost transformer or AVR required for operation outside this range.



Frozen Beverage Dispensers
EVERYONE LOVES FROZEN®

774



Weights & Dimensions

Measuring System	Imperial			Metric		
Door Model	Short Door	Tall Door	Video Door	Short Door	Tall Door	Video Door
Height	34.0 in	41.4 in	43.54 in	864 mm	1,052 mm	1,106mm
Width	26.0 in			660 mm		
Depth	32.5 in			826 mm		
Back/Side Clearance (Min.)	3 in			76 mm		
Top Clearance (Min.)	12 - 36 in*			304 - 914 mm*		
Duratrans	10 in x 25 7/8 in	17 3/4 in x 25 7/8 in		254 mm x 657 mm	451 mm x 657 mm	
Flavor Card	4 7/8 in x 3 1/2 in			124 mm x 89 mm		
Dispenser Type	Air-Cooled	Remote	Water-Cooled	Air-Cooled	Remote	Water-Cooled
Empty Weight	418 lbs	400 lbs	415 lbs	190 kg	182 kg	188 kg
Operating Weight	464 lbs	446 lbs	461 lbs	211 kg	202 kg	209 kg

* 12 in (304 mm) with side or back open-air conditions, 36 in (914 mm) in equipment alcove.

Water, CO₂ and Syrup Requirements

Measuring System	Imperial	Metric
Water System Input	3/8" Supply Line, 30 PSIG Flowing (minimum)	3/8" Supply Line, 207 kPag Flowing (minimum)
CO ₂ System Input	70 - 72 PSIG (maximum)	483 - 496 kPag (maximum)
Condenser Water Inlet Flow Rate ^o	1 - 3 gal / min	3.8 - 11.4 L/min
Condenser Water Inlet Temperature ^o	40 - 90° F	4.4 - 32° C
Syrup	Input: 70 - 72 PSIG (483 - 496 kPag)	
	Bag-In-Box (BIB) Connections, (4) Base Syrups	

^o For water-cooled dispensers.