

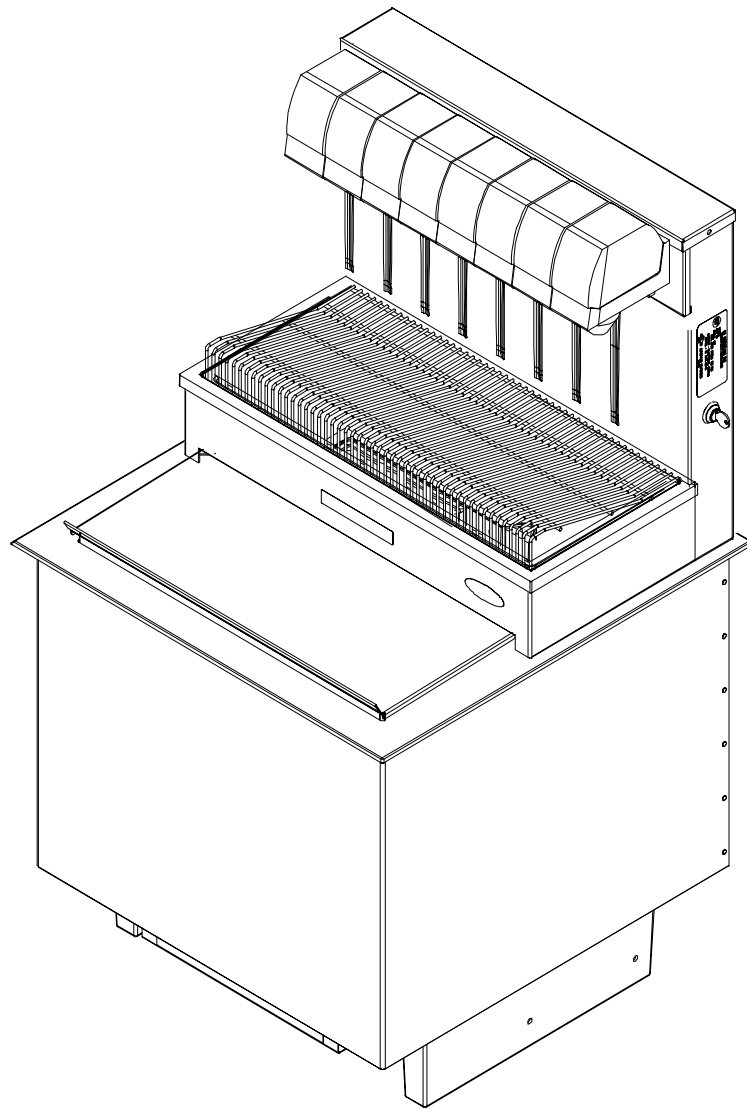


IMI CORNELIUS INC.
One Cornelius Place
Anoka, MN. 55303-6234
Telephone 1-800-238-3600
Facsimile 1-800-258-0255

ILLUSTRATED PARTS LIST

CB 2323 INTELLI CARB STAINLESS TOWER

MODEL NO.





IMI CORNELIUS INC.
 One Cornelius Place
 Anoka, MN. 55303-6234
 Telephone 1-800-238-3600
 Facsimile 1-800-258-0255

ILLUSTRATED PARTS LIST

CB 2323 INTELLI CARB STAINLESS TOWER

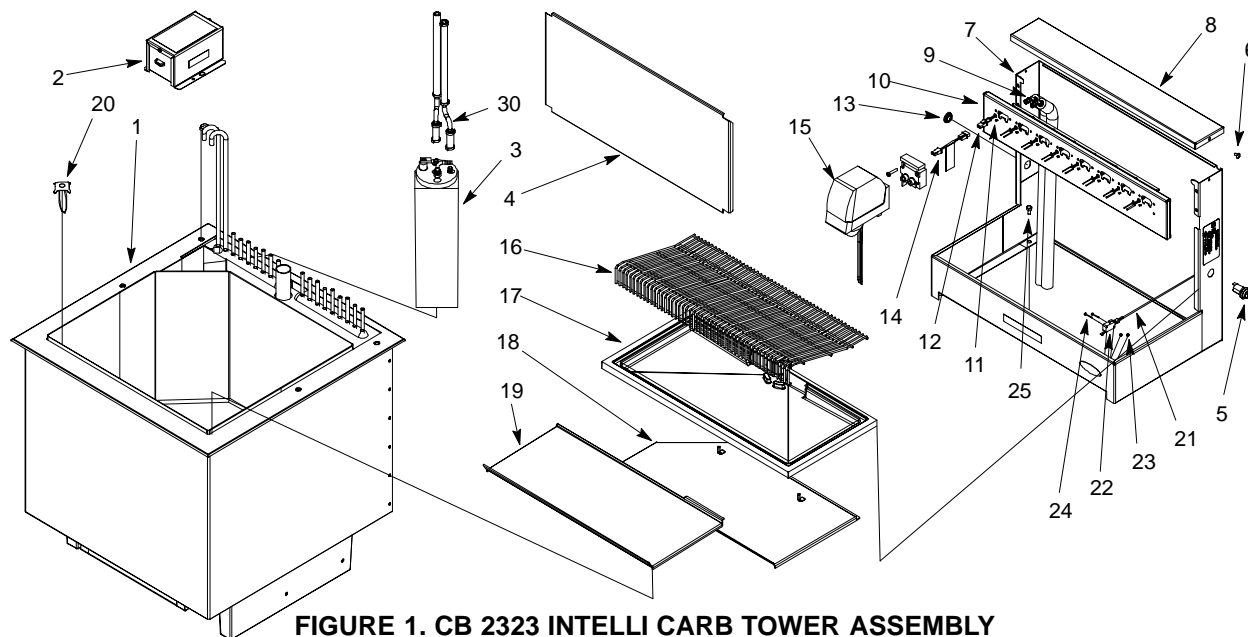


FIGURE 1. CB 2323 INTELLI CARB TOWER ASSEMBLY

Item No.	Part No.	Name
1	167808015	Decorative Frame
2	630000601	Transformer Ass'y (See Figure 2)
3	630000739	Carbonator Tank Ass'y (After 8-1-2000)
	630000681	Carbonator Tank Ass'y (Before 8-1-2000)
4	167491003	Panel, Splash
5	163545001	Switch, Key Lock
6	161168014	Machine Screw, Phil Truss Hd., No. 10-32 By 3/8-In. Long
7	630000631	Tower
8	167244007	Cap, Tower
9	162968004	Hose, .265 I.D.
10	166111002	Panel, Valve, 6-Flavor
	166111005	Panel, Valve, 8-Flavor
11	630300344	Wire Harness, 6-Flavor (After 7-10-2000)
	630300018	Wire Harness, 6-Flavor (Before 7-10-2000)
	630300345	Wire Harness, 8-Flavor (After 7-10-2000)
	630300019	Wire Harness, 8-Flavor (Before 7-10-2000)
12	163518000	Connector, 2 Circuit
13	168462000	Button Plug
14	630300373	Wire Harness (Opti-Fill Valves Only)
15	318308000	Thread Rolling Screw, Phil Pan Hd, No. 10-32 By 1-In. Long

Item No.	Part No.	Name
16	630900042	Cup Rest, Grille (Opti-Fill)
	167787002	Cup Rest (Standard)
17	630150005	Drip Tray
18	630000630	Plate, Sanitary
19	630200832	Lid, Sliding
20	162865010	Strainer
21	630300357	Lead Wire, Black (After 7-10-2000)
	630300032	Lead Wire, White (Before 7-10-2000)
22	167570001	Switch, Valve Lockout
23	21633	Hex Nut, No. 4-40
24	21632	Machine Screw, Rd Hd, No.4-40 By 3/4-In. Long
25	168745001	Machine Screw, 1/4-20 By 1/2-In. Long
26	630300341	Wire Harness, Power Supply to Tower (After 7-10-2000)
	630300008	Wire Harness, Power Supply to Tower (Before 7-10-2000)
27	41710	Fitting, 3/4-MPT By 3/4-Barb
28	161508006	Fitting, 3/4-FPT By 3/4-Barb
29	710000030	Pump and Motor with Double Check Valve (After 8-1-2000)
	560005105	Pump and Motor without Double Check Valve (Before 8-1-2000)
30	630000741	Hose Ass'y, Carb to Cold Plate



IMI CORNELIUS INC.
 One Cornelius Place
 Anoka, MN. 55303-6234
 Telephone 1-800-238-3600
 Facsimile 1-800-258-0255

ILLUSTRATED PARTS LIST

CB 2323 INTELLI CARB STAINLESS TOWER

Item No.	Part No.	Name
	630000601	Transformer Ass'y
1	163429005	Transformer, 120/25 VAC
2	630200733	Wrap
3	630900190	Sheet Metal Screw, Phil Pan Hd, No. 8 By 3/8-In. Long
4	630900553	Power Cord
5	319453000	Strain Relief
6	07667	Machine Screw, Phil Truss Hd, No. 8-32 By 1/2-In. Long
7	164083004	Hex Nut, No. 8-32
8	163412001	Cover, Transformer

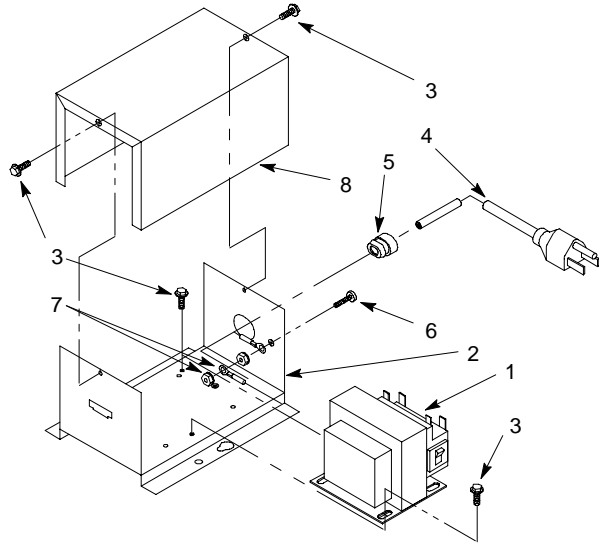


FIGURE 2. TRANSFORMER ASSEMBLY