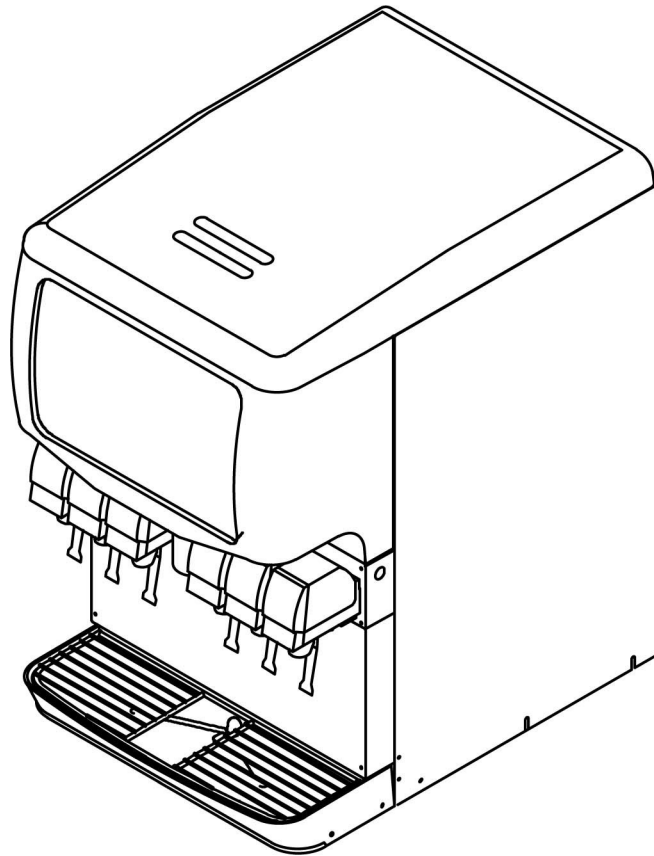


ILLUSTRATED PARTS LIST

ENDURO-150 6 VALVE



Release Date: April 01, 2004
Publication Number: 92096IPL
Revision Date: September 20, 2016
Revision: K



**Marmon Foodservice
Technologies**

A Berkshire Hathaway Company

Visit the Cornelius web site at www.cornelius.com for all your Literature needs.

Notice:

The products, technical information, and instructions contained in this manual are subject to change without notice. These instructions are not intended to cover all details or variations of the equipment, nor to provide for every possible contingency in the installation, operation or maintenance of this equipment. This manual assumes that the person(s) working on the equipment have been trained and are skilled in working with electrical, plumbing, pneumatic, and mechanical equipment. It is assumed that appropriate safety precautions are taken and that all local safety and construction requirements are being met, in addition to the information contained in this manual. This Product is warranted only as provided in Cornelius' Commercial Warranty applicable to this Product and is subject to all of the restrictions and limitations contained in the Commercial Warranty. Cornelius will not be responsible for any repair, replacement or other service required by or loss or damage resulting from any of the following occurrences, including but not limited to, (1) other than normal and proper use and normal service conditions with respect to the Product, (2) improper voltage, (3) inadequate wiring, (4) abuse, (5) accident, (6) alteration, (7) misuse, (8) neglect, (9) unauthorized repair or the failure to utilize suitably qualified and trained persons to perform service and/or repair of the Product, (10) improper cleaning, (11) failure to follow installation, operating, cleaning or maintenance instructions, (12) use of "non-authorized" parts (i.e., parts that are not 100% compatible with the Product) which use voids the entire warranty, (13) Product parts in contact with water or the product dispensed which are adversely impacted by changes in liquid scale or chemical composition.

Correct Disposal of this Product



This marking indicates that this product should not be disposed with other household wastes throughout the EU. To prevent possible harm to the environment or human health from uncontrolled waste disposal, recycle it responsibly to promote the sustainable reuse of material resources. To return your used device, please use the return and collection systems or contact the retailer where the product was purchased. They can take this product for environmental safe recycling.

Contact Information

To inquire about current revisions of any documentation or assistance with any Cornelius product, contact:

www.marmonfoodservice.com

www.cornelius.com

00-238-3600

Trademarks and Copyrights

This document contains proprietary information and it may not be reproduced in any way without permission from Marmon-FoodService Technologies Inc. This document contains the original instructions for the unit described.

MARMON FOODSERVICE TECHNOLOGIES INC

355 Kehoe Blvd

Carol Stream, IL

el: + 1 800-238-3600

CABINET SECTION ASSEMBLY

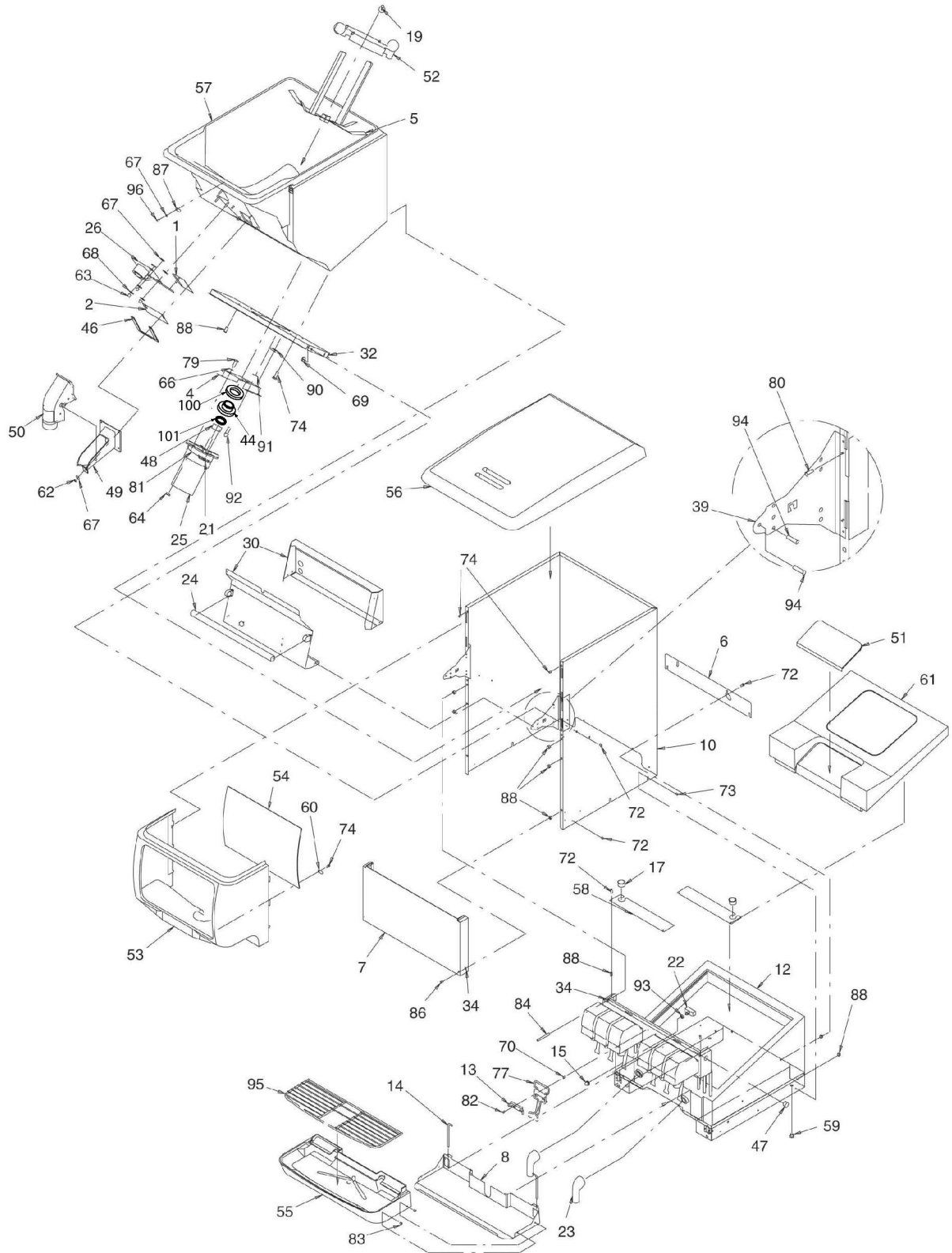


Figure 1.



Table 1.

Item No.	Part No.	Name
1	21491	Gate Slide
3	Not used	
4	**29303R	Plate, Motor Mounting
5	15346	Agitator Assy
6	29483	Cover, Rear Wrapper
7	629080206	Lower Panel (For Drip Tray)
8	629080202	Lower Panel (Z Model)
9	15199	Extension Assy, Drip Tray
10	29313	Wrapper (ED 150)
11	Not Used	
12	Contact Sales	Panel Cold Plate/Faucet Assy
13	27107	Retainer, Lever, Ice Dispenser
14	10145	Pin, Drip Tray Mounting
15	31007	Boot, Switch
16	Not Used	
17	50767	Snap Bushing
18	Not Used	
19	15087	Retainer, Agitator
20	Not Used	
21	30794	Agitator Motor Heater, 120 Volt
	32826	Agitator Motor Heater, 220-240 Volt
22	30895	Dispense Switch
23	53011	Elbow, Cold Plate, Drain
24	31622	Bulb-Daylight 18"
25	**620307901	Agitator Motor, 120 Volt
	**620307902	Agitator Motor, 220-240 Volt
26	32954	Solenoid Assembly, 120 Volt
	33409	Solenoid Assembly, 220-240 Volt
27	Not Used	
28	Not Used	
29	Not Used	

Table 1.

Item No.	Part No.	Name
30	620302001	Electrical Box Ass'y, 120 Volts (ED 150 B and BC Models)
	620303301	Electrical Box Ass'y, 120 Volts (ED 150 Ice Only)
	620302301	Electrical Box Ass'y, 220-240 Volts (ED 150 B and BC Models)
	620303302	Electrical Box Ass'y, 220-240 Volts (ED 150 Ice Only)
31	Not Used	
32	620045913	Brkt MTG Motor ED150 6V HICARB
33	Not Used	
34	71010	Washer, Captivating No. 8
35	Not Used	
36	Not Used	
37	Not Used	
38	Not Used	
39	620019701	Hinge, Gusset
40	Not Used	
41	Not Used	
42	Not Used	
43	Not Used	
44	**620061993	Seal, Agitator Motor Shaft
45	Not Used	
47	***51908	Plug (120 Volt Models Only)
48	**52876	Gasket, Motor Shaft
49	620500901	Ice Chute
50	53168	Cover, Ice Chute
51	53241	Access Cover (Cold Plate Models Only)
52	53227	Agitator Disk



Table 1.

Item No.	Part No.	Name
53	52878	Merchandiser, Black (ED 150)
	52999	Merchandiser, Gray (ED 150)
	15756	Merchandiser, S.S. (ED 150)
	620011513	Merchandiser, S.S. (ED 150 For Lid and Straw Holder)
	620011503	Merchandiser, S.S. (ED 150 For Medallion)
	620011502	Merchandiser, S.S. (ED 150 For Low Ice Light)
54	52877	Panel, Plexi glass, Inner (ED 150)
55	53202	Drip Tray, Black
	53222	Drip Tray, Gray
56	52879	Lid, Dispenser, Black
	53019	Lid, Dispenser, Gray
57	52872	Hopper Assy., Foamed (ED 150)
58	15437	Baffle
59	52967	Plug
60	52972	Clip, White
61	53236	Cover (Cold Plate Models Only)
62	70016	Hex Nut, No. 10-32
63	70017	Hex Nut, No. 10-32, Nyloc
64	**70018	Hex Nut, 1/4-20
66	**70048	**70048
67	70056	Washer, No. 10, .219 I.D.
68	70067	Washer, .218 I.D.
69	70076	Hex Nut, No. 8-32
70	70104	Insert, Threaded, No. 8-32
72	70171	Machine Screw, Phil Truss Hd, No. 8-32 By 3/8-In. Long
73	70178	Machine Screw, Phil Truss Hd, No. 8-32 By 1/2-In. Long
74	70204	Sheet Metal Screw, Phil Truss Hd, No. 8 By 1/2-In. Long
77	15500	Lever, Dispense, Short (Cup Activated)
	15488	Lever, Dispense, Long (Cup Activated)
	15502	Lever, Dispense, (Ice Dispense)

Table 1.

Item No.	Part No.	Name
79	**70260	Machine Screw, Phil Rd Hd, 1/4-20 By 1-In. Long
80	70320	Pop Rivet, 1/8
81	70341	Spring, Motor Heater
82	620701601	Thread Forming Screw, Phil Pan Hd, No. 10-16 By 1/2-In. Long
83	70478R	Clip, Push On
84	70555	Machine Screw, Phil Truss Hd, No. 8-32 By 2 5/8-In. Long
*85	70750	Hose Clamp, Worm
86	70555	Machine Screw, Phil Truss Hd, No. 8-32 By 2 1/2-In. Long
87	53299	Clip, Black
88	70959	Hex Nutsert, No. 8-32
*89	71011	Leg
90	70992	Receptacle, 1/4 Turn
91	**70993	Retainer, 1/4 Turn
92	**70994	Stud Wing Head, 1/4 Turn
93	70847	Spacer, Switch
94	70456	Pop Rivet, 3/16
95	71036	Cup Rest
96	71089	Shoulder Screw, No. 8-32
*97	51288	Adapter, 1" Barb x 3/4 MPT
*98	50952	Adapter, 3/4 Soc x 3/4 FPT
*99	620702201	Cold Plate Cleaning Brush
100	**620061994	Gasket
101	**620062925	Quad-ring

NOTE: * Not Shown

****Parts included in Agitator Moter Kit ***For 220-240V Models, 51908 Plug Replaced By 62303001 Push Button Switch Actuator and 620303002 Switch Block**

KIT ICE CHUTE DOUBLE GASKET

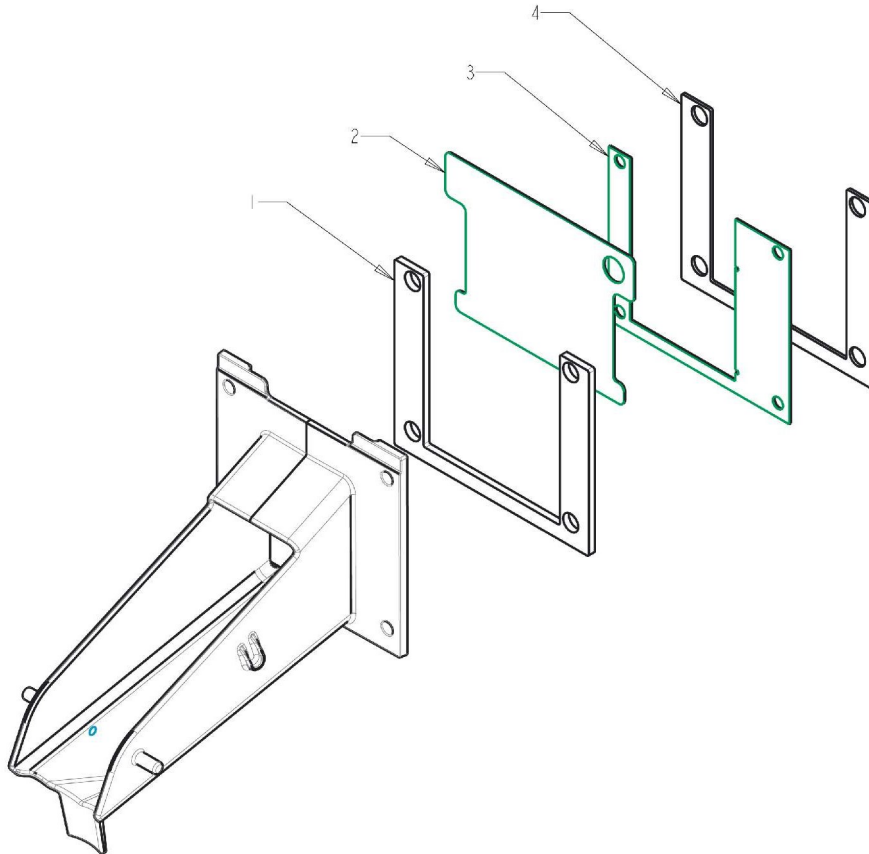


Figure 2.

Table 2.

Item No.	Part No.	Name
1	620059717	Gasket Out Gate Outer (Red)
2	620059707	Gate Restrictor
3	620059705	*Deflector Ice Gate
	620059706	*Deflector Ice Gate RH ED300
4	620059718	Gasket Ice Gate Inner (Black)

NOTE: * Used on soft Ice models only.



CAUTION:

Tighten #10-32 Nuts to 3.0 IN* LBS of Torque. Red gasket will deform slightly under load, but should not squeeze out of seal path.

ELECTRICAL BOX ASSEMBLY - FLUORESCENT LIGHTING

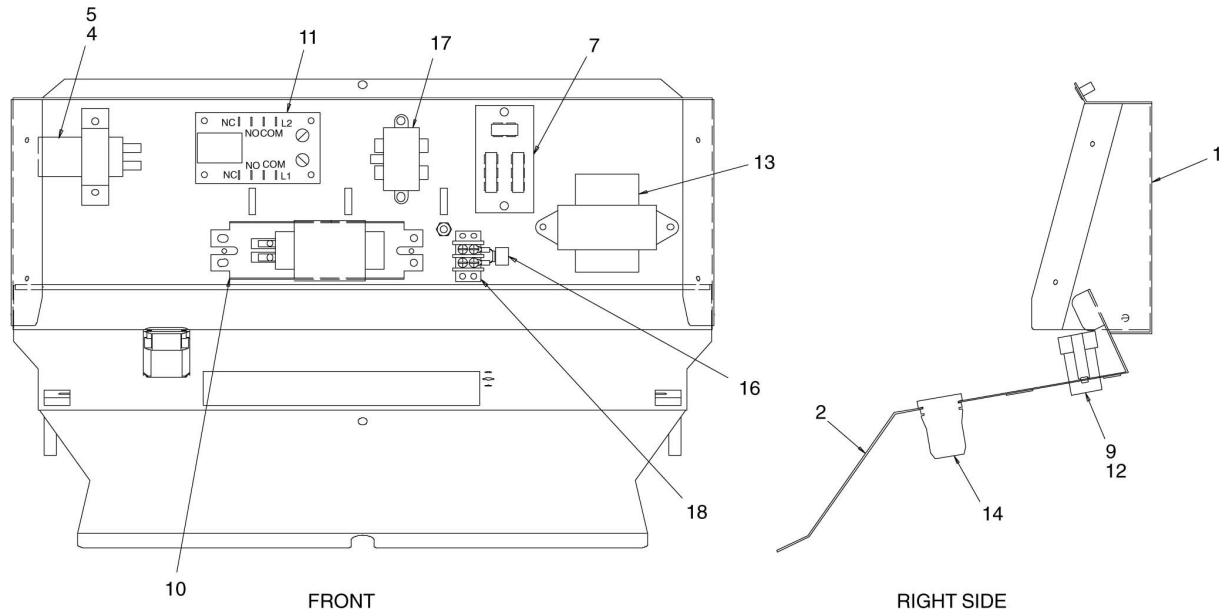


Figure 3

Table 3.

Item No.	Part No.	Description
1	620019001	Electrical Box (ED 150)
2	620019101	Reflector, Panel (ED 150)
3	Not Used	
4	30514	Clamp, Capacitor, 120 Volts
	620308102	Clamp, Capacitor, 220-240 Volts
5	30774	Capacitor, 120 Volt
	620308101	Capacitor, 220-240 Volt
6	Not Used	
7	31107	Terminal Board
8	Not Used	
9	31620	Starter 110 Volt
	620054076	Starter 240 Volt

Table 3.

Item No.	Part No.	Description
10	31621	Ballast, 120 Volt
	33662	Ballast, 220-240 Volt
11	620314803	Timer, Agitation, 120 Volt
	620314802	Timer, Agitation, 220-240 Volt
12	620302201	Socket, Starter
13	32682	Transformer, 120 Volts
	32829R	Transformer, 220-240 Volts
14	620302101	Lamp-holder
15	Not Used	
16	620304601	Varistor, 220-240 Volts
17	620307301	Filter, 220-240 Volts
18	32244	Terminal Strip, 220-240 Volts

ELECTRICAL BOX ASSEMBLY - LED LIGHTING

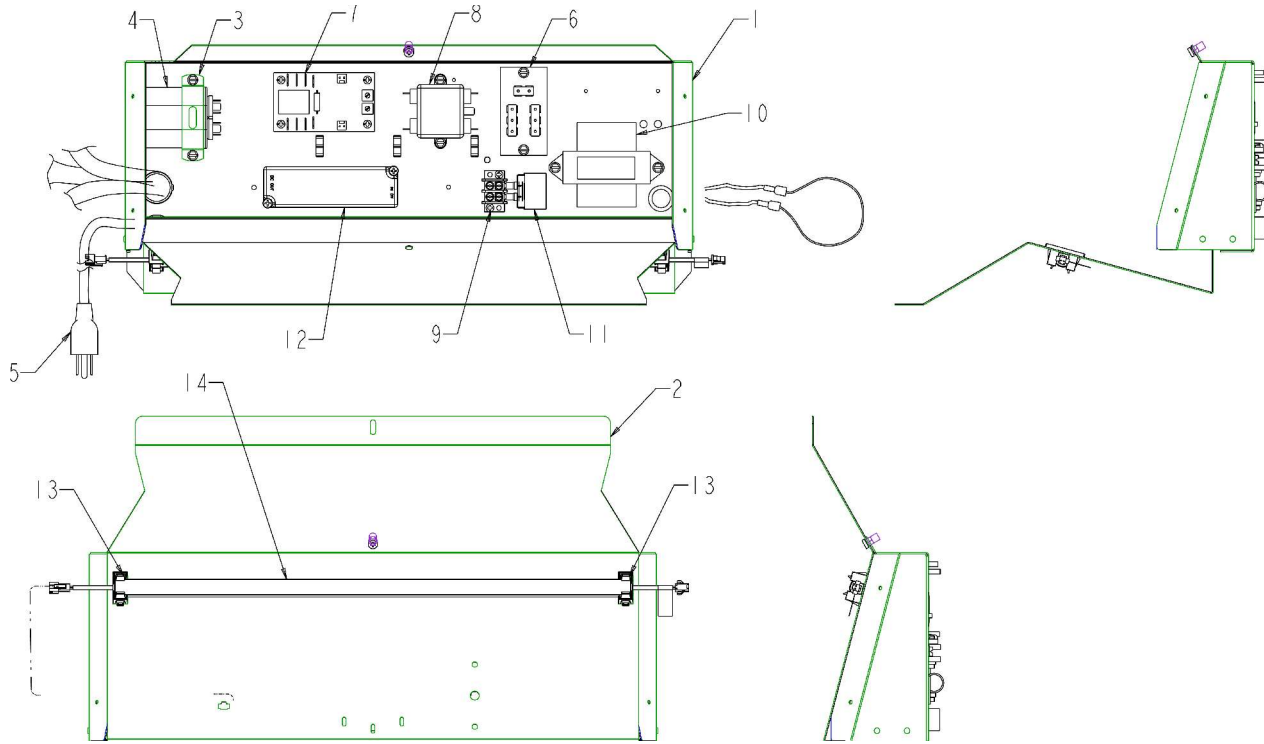


Figure 4.

Table 4

Item No.	Part No.	Description
1	620019001	BOX ELEC ED150
2	620200105	REFLECTOR PANEL ED150
3	30514	CLAMP CAPACITOR 120 V
	620308102	CLAMP CAPACITOR 220-240 V
4	30774	CAPACITOR 120V (AGITATOR MOTOR)
	620308101	CAPACITOR 220-240 V (AGITATOR MOTOR)
5	30995	POWER CORD, 120V
	620302901	POWER CORD, 220-240 V
6	31107	POWER CORD, 220-240 V
7	620314803	TIMER, AGITATION, 120 V
	620314802	TIMER, AGITATION, 220 - 240 V

Item No.	Part No.	Description
8	620307301	FILTER, POWER LINE, 220 - 240 V
9	32244	TERMINAL STRIP, 220 -240 V
	32682	TRANSFORMER, 120 V
10	32829R	TRANSFORMER, 220 - 240 V
	32829R	TRANSFORMER, 220 - 240 V
11	620304601	VARISTOR, 220 - 240 V
12	620057649-018	PWR-SUPPLY 24VDC 20W LED ASSY
13	620064161	CLIP RETAINING LED LIGHT BAR
14	620064030-002	LIGHT TUBE 18" 8W 24VDC

SOLENOID ASSEMBLY

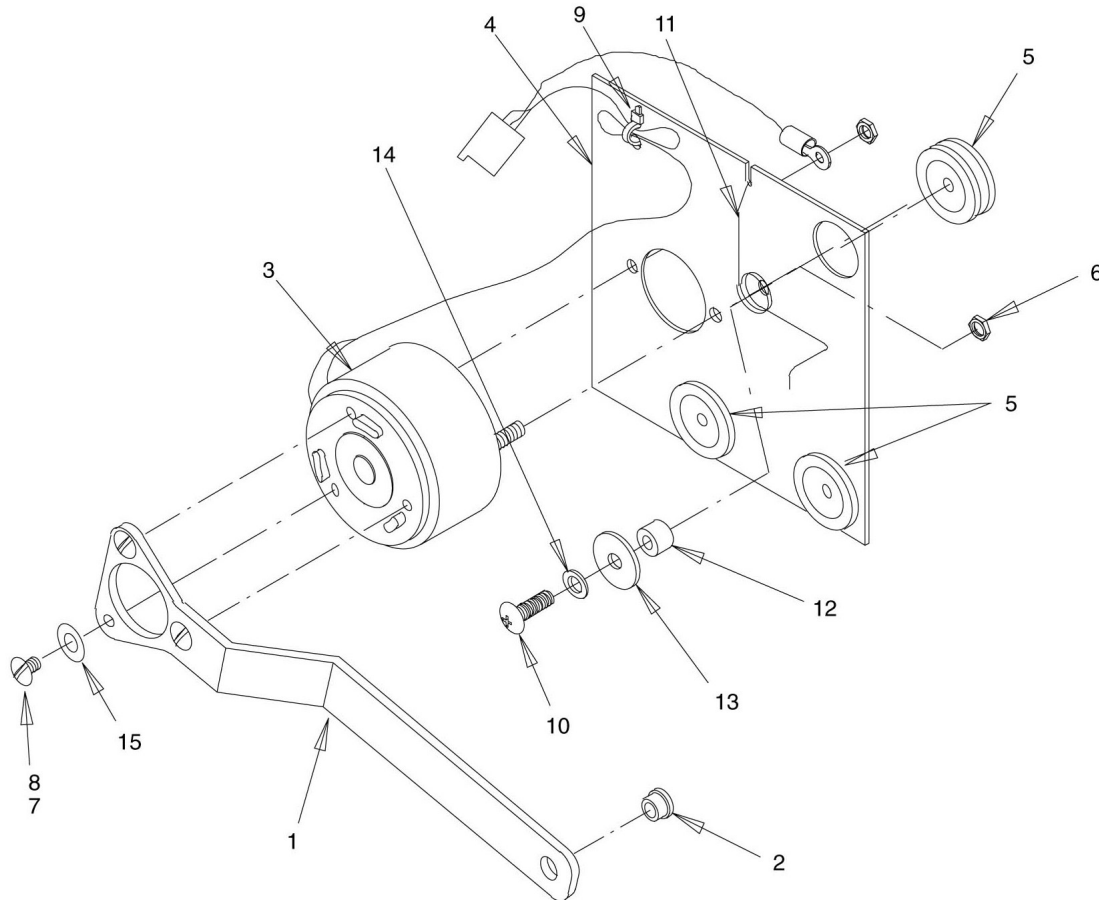


Figure 5

Table 5.

Item No.	Part No.	Description
1	28173	Arm, Gate Lift
2	50754	Bearing, Gate Arm
3	32957	Solenoid, 120 Volts
	33397	Solenoid, 220-240 Volts
4	28172	Plate, Solenoid Mounting
5	50752	Isolator
6	70015	Hex Nut, No. 10-32
7	51689	Loctite

Table 5.

Item No.	Part No.	Description
8	70162	Screw, No. 8-32 By 1/4-In. Long
9	50705	Tie Cable
10	70165	Screw, No. 8-32 By 5/8-In. Long
11	71007	Spring, Solenoid Arm
12	51348	Space
13	70067	Washer, .218 I.D. By .875 O.D.
14	70057	Lockwasher, No. 10
15	70052	Flatwasher, No. 8

DRAIN ASSEMBLY

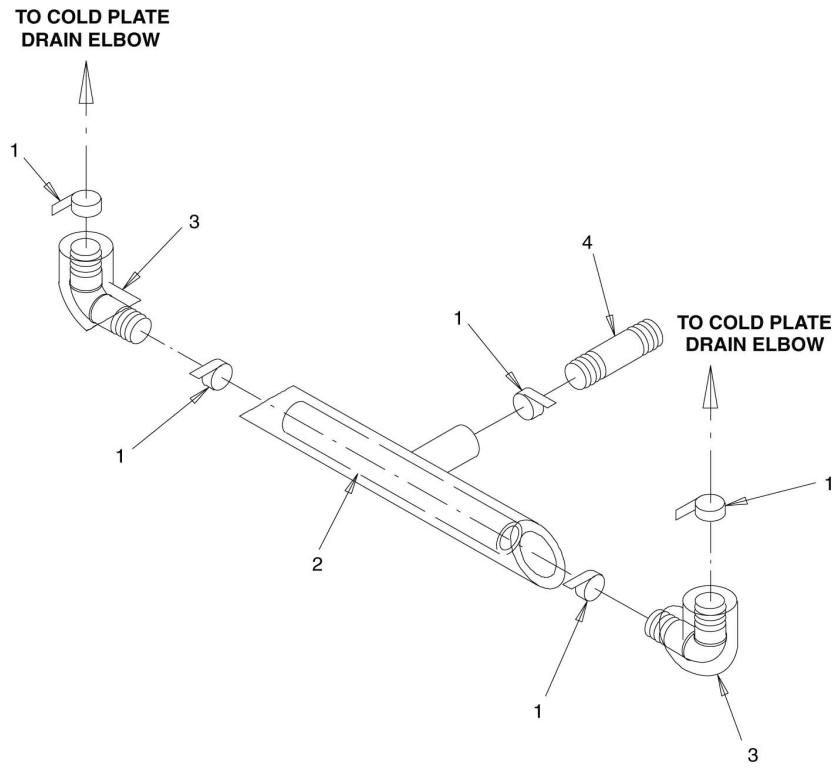


Figure 6

Table 6.

Item No.	Part No.	Description
1	70750	Hose Clamp
2	53170	Drain Tube
3	51280	Elbow
4	53293	Coupler

COMPONENTS FOR FLAVOR UNITS

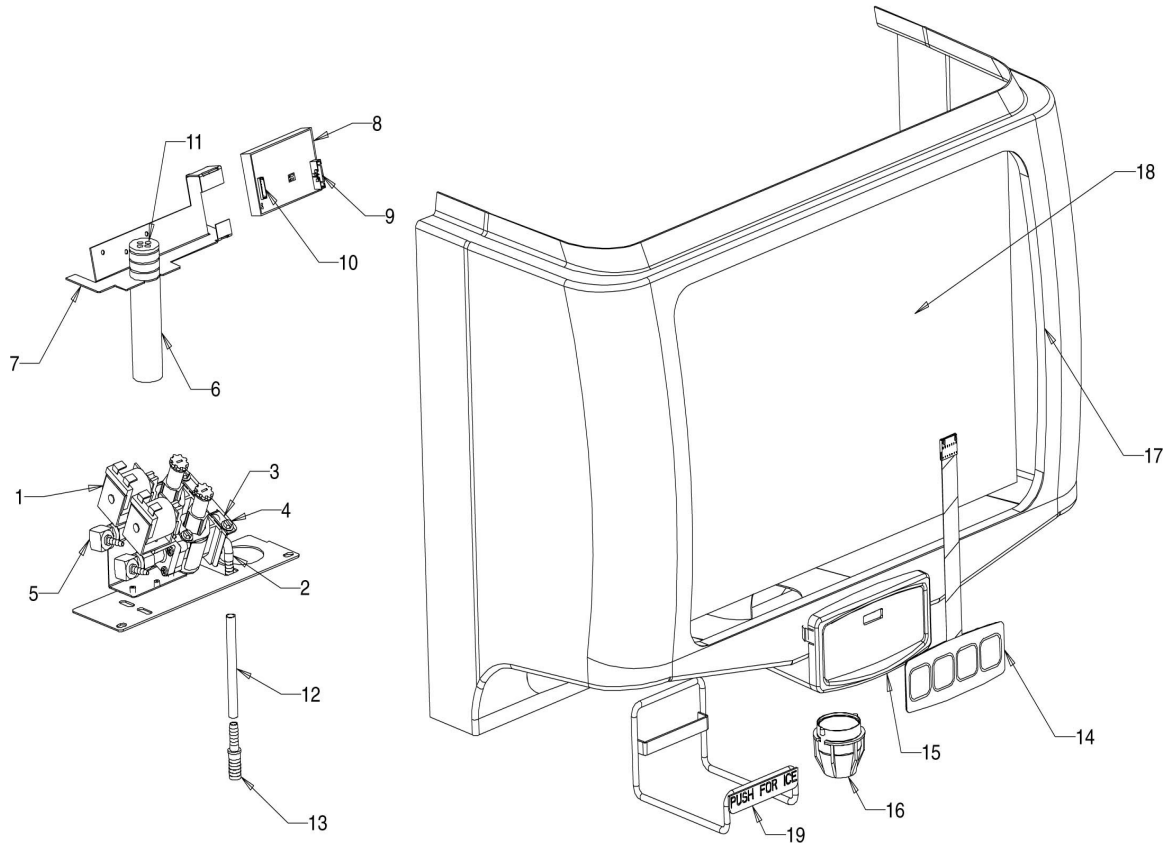


Figure 7

Table 7.

Item No.	Part No.	Description
1	2487	Flow control assembly
2	620709068	Fitting elbow 1/4 barb
3	620046335	Retainer valve
4	319941000	Screw tr 08-32 hxws
5	620718932	Fitting 90 swivel 1/8 barb
6	620715821	Inner nozzle
7	620052029	Nozzle bracket 1xx
8	620314823	PC Board
*9	620313657	Jumper PCB to keypad 4
	620313658	Jumper PCB to keypad 2 fl
*10	620316443	Harness solenoid 4
	620316442	Harness solenoid 2

Table 7.

Item No.	Part No.	Description
*11	770000119	Tubing syrup 1/8 id
12	50299	Tubing bev 265 id x 465 od
13	77040700	Fitg splicer 1/4 x 3/8
14	620313239	Membrane switch 4 button
15	620516527	Housing – keypad/nozzle
16	1945	Outer nozzle
	620519210	Merch flavor blast, blk
	620519216	Merch flavor blast, gry
18	620920064	Graphic flavor blast, ed150
19	620709313	Lever Ice Push Bar – FlavorBlast

NOTE: * Not Shown

WATER MANIFOLD ASSEMBLY

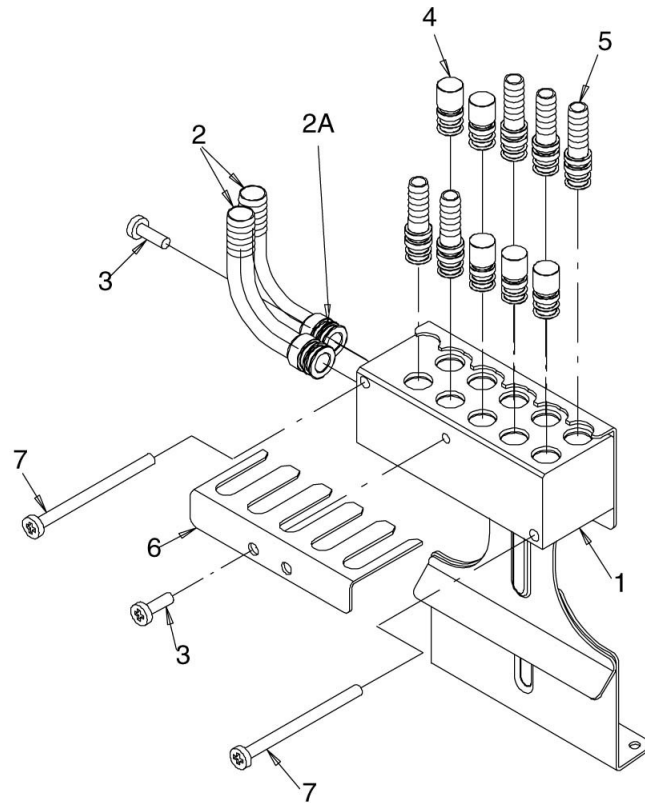


Figure 8

Table 8.

Item No.	Part No.	Description
1	620407726	Manifold Flex
2	620709065	Fitg Elbow 1/2 X 3/8 Brb
2A	100057	O-rin
3	70204	Screw Sm #8 X 1/2
4	620519005	Plug 3/8 w/O-ring
5	620709066	Fitg Straight 3/8 X 1/4 Brb
6	620046316	Retainer Clip
7	620706632	Screw TRPH #8-18 X 2 Waxed
*	620711913	Insulation Block, RH
*	620711914	Insulation Block, LH
*	620715408	Hook and Loop Fastener

NOTE: * Not Shown

Marmon Foodservice Technologies Inc.
www.marmonfoodservice.com
www.cornelius.com