



ENDURO 300

Post-Mix Ice Drink Dispenser

Specification Sheet



Features

Large ice capacity

300 lb. ice capacity

Choices

Available with 12 UFB-1™ sanitary lever or push button valves

Merchandising

Highly efficient LED illuminated merchandiser utilizing a brighter, longer lasting bulb, providing a high impact visual display

Ice

Gravity ice dispensing with positive shut-off provides excellent ice targeting. Two separate ice dispensing chutes. Ice used to cool cold plate is separate from ice dispensed into cups

ADA Compliant

Unit with UFB Sanitary lever meets ADA guidelines on a 34" counter

Durable

Easily changes from carbonated to non-carbonated. One piece ABS thermoformed plastic (Durabide™ design) provides durability and ensures all ice in hopper is dispensable

Flexible

Unit readily accepts top mount cubers with manual ice fill capability

Ease of Use

Modular design allows for easy component access from the front of the unit

TotalFlex™

Easily changes from carbonated to non-carbonated



MARMON
Foodservice
Technologies

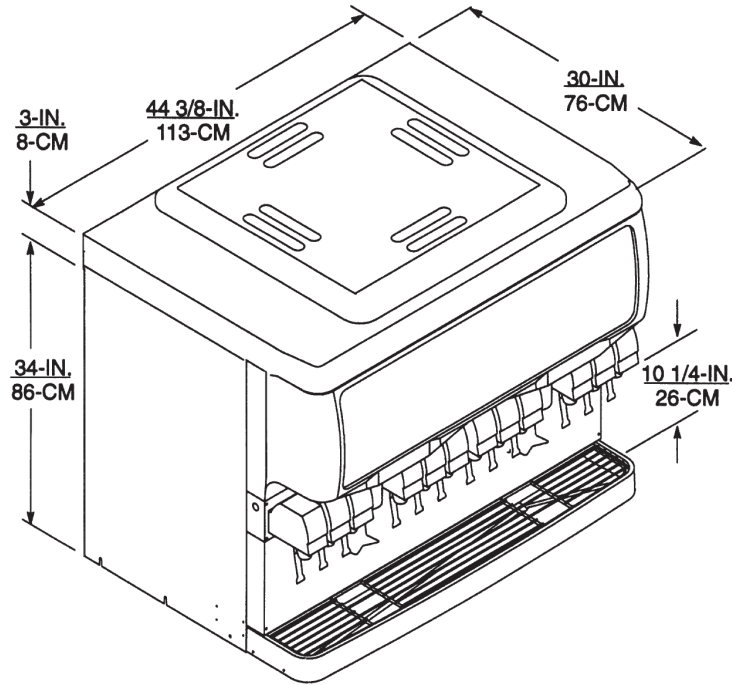
A BERKSHIRE HATHAWAY COMPANY



ENDURO 300

Post-Mix Ice Drink Dispenser

Specification Sheet



Technical Specifications

Electrical Rating	115V/60 Hz/5.2Amps (single outlet)
Ice Storage Capacity	300lb (136kg)
Ice Beverage Manifolding	TotalFlex™
Cup Clearance	10" (25.40cm)
Cooling Capacity	10-12oz drinks/min @ 75°F
Drain Connection	0.75" PVC (NPT) or 1" ID flexible tubing
Graphic Dimensions	Overall: 11.062"H x 38.985"W Viewable: 10.249"H x 37.86"W

Standard Options	Beverage key switch, Timed ice agitation
Shipping Weight	430lb (195kg)
Agency Listings	   City of Los Angeles

Part Number	Description
02810	Ice Drink Dispenser with 12 UFB-T™ 2-4 oz Sanitary Lever Valves
02813	Ice Drink Dispenser with 12 UFB-T™ 2-4 oz Push Button Valves
08017	Leg Kit for ED300 includes six 4" legs

Unit with UFB Sanitary lever meets ADA guidelines on a 34" counter.
 * If top mounting an ice maker, an ice maker adapter kit is required. Order separately.

To learn more and see **Enduro 300** in action, visit cornelius.com
 To contact a Cornelius® expert today, visit cornelius.com/contact-us