

Ice-O-Matic[®]

**SERVICE PARTS MANUAL
GEM1306Air and MFI1506Air
GEM1306Remote and MFI1506Remote**



This parts list contains the service parts available for the GEM-MFI Series icemakers listed below:

GEM1306A=Air Cooled

MFI1506A=Air Cooled

GEM1306R=Remote Cooled

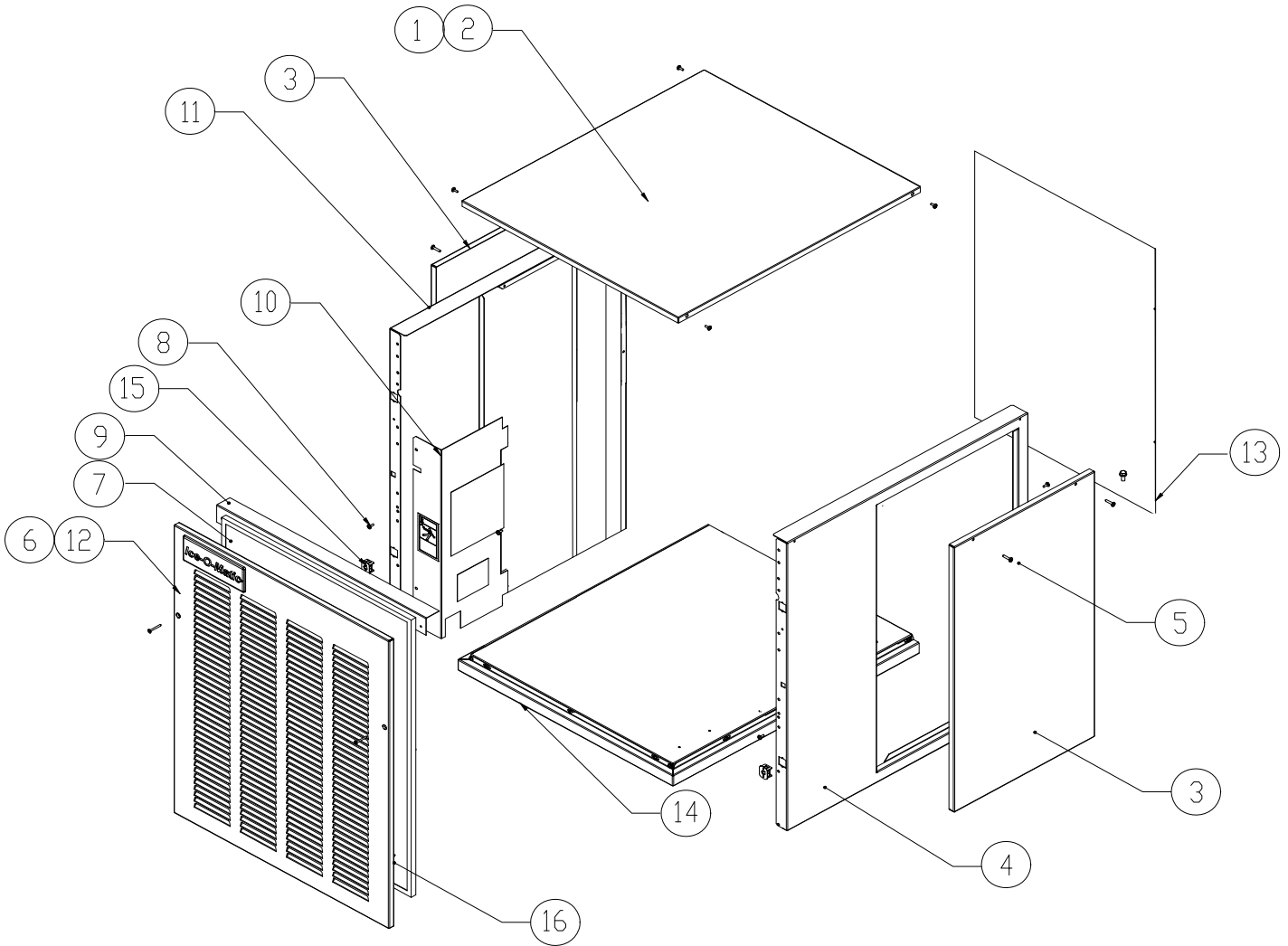
MFI1506R=Remote Cooled

Check the model number on the data plate and refer to the correct listing for the specific component.

Check carefully that the correct part is identified and ordered.

Table of Contents	Page 1
Cabinet Assembly	Page 2
Air Cooled	Page 3 - 4
Remote Cooled	Page 5 - 6
Down Chute/Water System	Page 7 - 8
Control Box	Page 9
Gearmotor	Page 10
Evaporator	Page 11 - 12

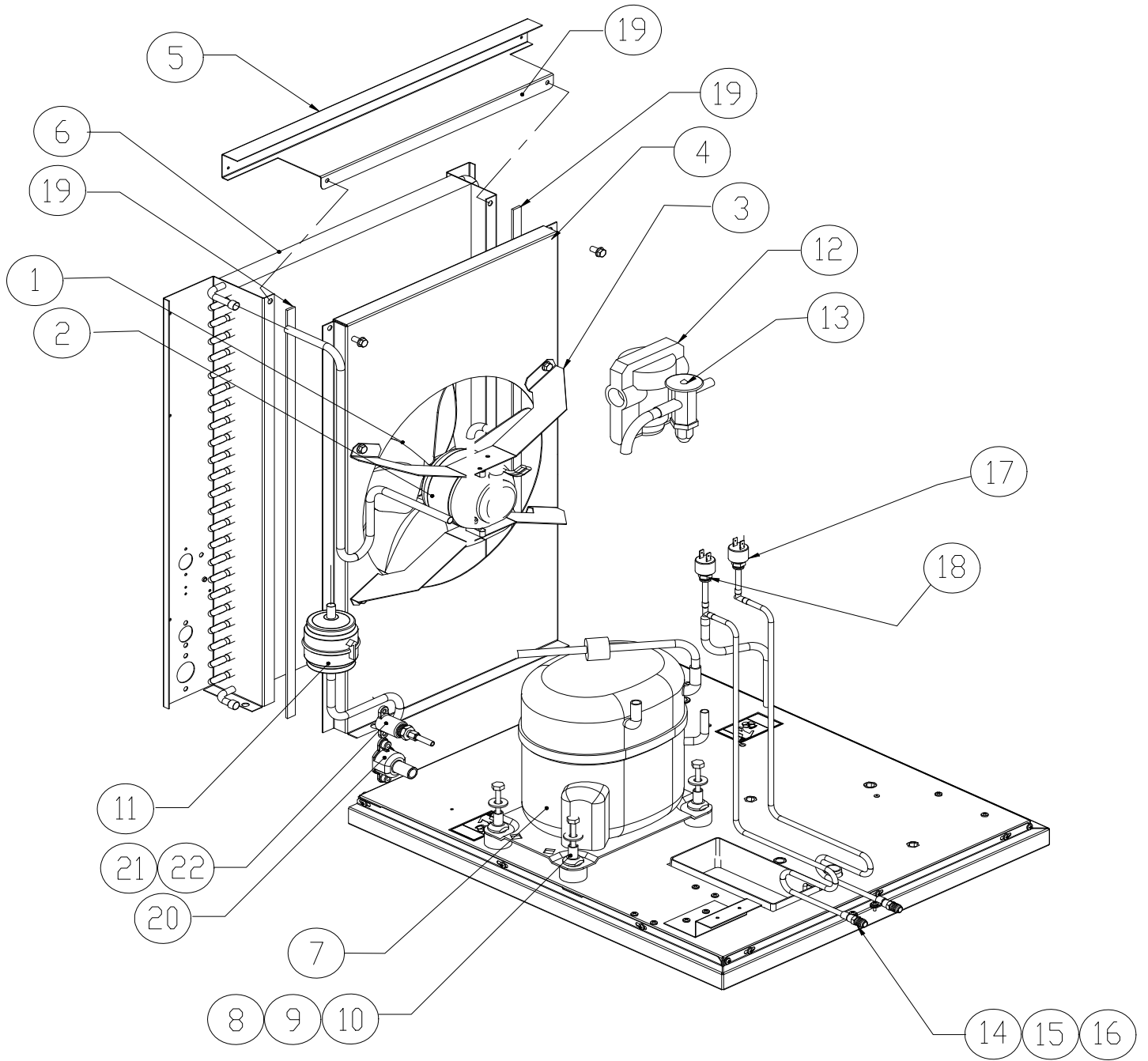
Ice-O-Matic
11100 East 45th Ave.
Denver Co. 80239
800-423-3367



Item No.	Model Number		MF1506A	MF1506R	Description
	GEM1306A	GEM1306R			
1	3021951-01	3021951-01	3021951-01	3021951-01	Panel, Top
2	9031046-27	9031046-27	9031046-27	9031046-27	Screw
3	3021953-01	3021953-01	3021953-01	3021953-01	Panel, Service
4	3021952-01	3021952-01	3021952-01	3021952-01	Panel, End, Right
5	9031113-14	9031113-14	9031113-14	9031113-14	Screw
6	2031515-01	2031519-01	2031515-01	2031519-01	Front Panel
7	9131475-01	NA	9131475-01	NA	Air Filter
8	9031046-27	9031046-27	9031046-27	9031046-27	Screw
9	2021701-01	2021701-01	2021701-01	2021701-01	Front Brace
10	3013391-01	3013391-01	3013391-01	3013391-01	Control Box Cover
11	3021950-01	3021950-01	3021950-01	3021950-01	Panel, End, Left
12	9031045-07	9031045-07	9031045-07	9031045-07	Screw
13	NA	3013392-01	NA	3013392-01	Panel, Rear
14	2021699-01	2021699-01	2021699-01	2021699-01	Base
15	9021112-01	9021112-01	9021112-01	9021112-01	Cabinet Catch
16	9021121-01	9021121-01	9021121-01	9021121-01	Strike

2031515-01 Louvered Front Panel

2031519-01 Solid Front Panel-No Louvers



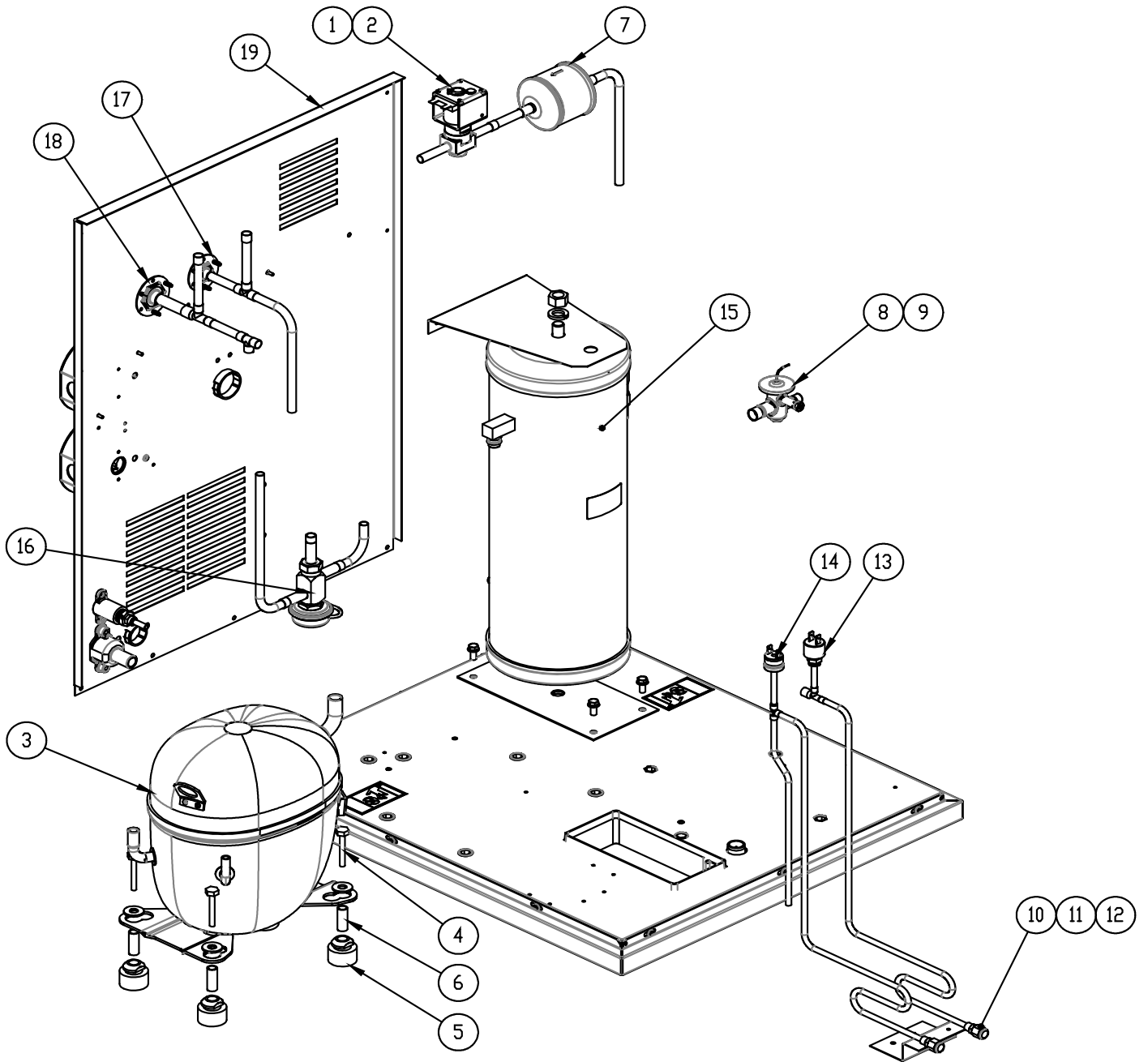
GEM-MFI Series Service Parts

Air Cooled

Item	Model Number			
No.	GEM1306A		MFI1506A	Description
1	9131383-01		9131383-01	Fan Blade
2	9161125-01		9161125-01	Fan Motor
3	3013582-01		3013582-01	Fan Bracket
4	3013586-01		3013586-01	Fan Shroud
5	3013378-01		3013378-01	Fan Shroud Cover
6	9141138-01		9141138-01	Air Condenser
7	9181153-11		9151153-11	Compressor
8	9031001-41		9031001-41	Compressor Bolt
9	9181002-09		9181002-09	Compressor Grommet
10	9181002-02		9181002-02	Compressor Grommet Sleeve
11	9151163-03		9151163-03	Drier
12	9131143-02		9131143-02	Expansion Valve Insulation
13	9151182-01		9151182-01	Expansion Valve
14	9091086-01		9091086-01	Service Valve Body
15	9091086-02		9091086-02	Service Valve Core
16	9091086-03		9091086-03	Service Valve Cap
17	9041091-01		9041091-01	Hi Pressure Cut Out
18	9041102-01		9041102-01	Low Pressure Cut Out
19	6081004-07		6081004-07	Gasket Strip, Flat 4 Ft. Required
20	9091140-01		9091140-01	Drain Fitting
21	9091074-01		9091074-01	Drop Adapter
22	9091083-01		9091083-01	Water Inlet Fitting

Compressor and Starting Components

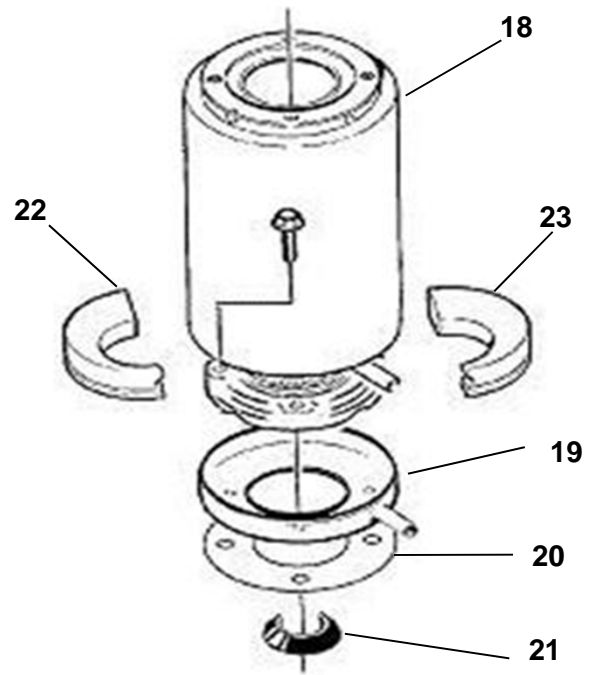
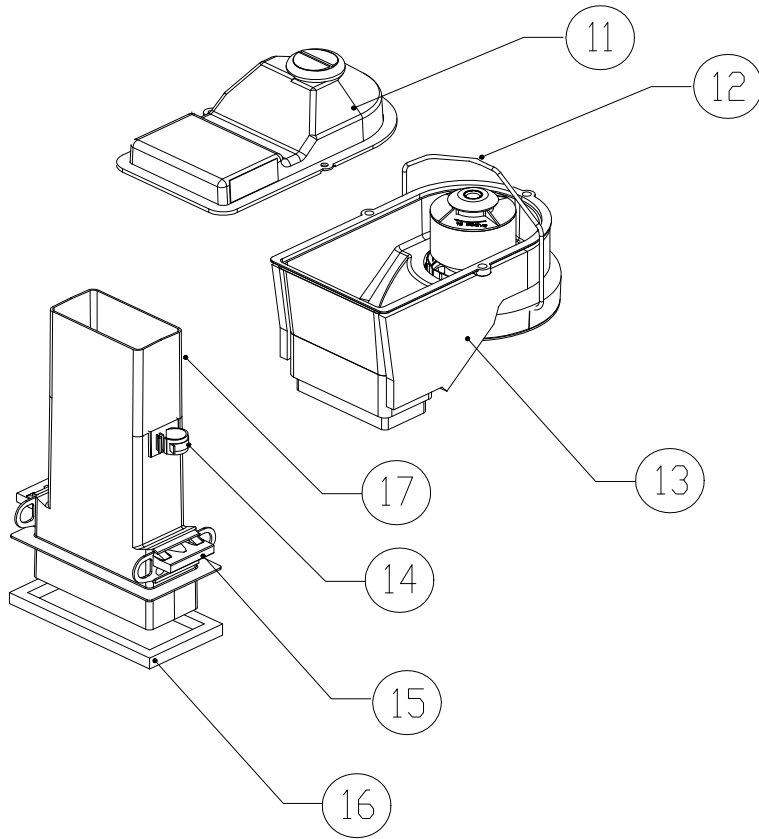
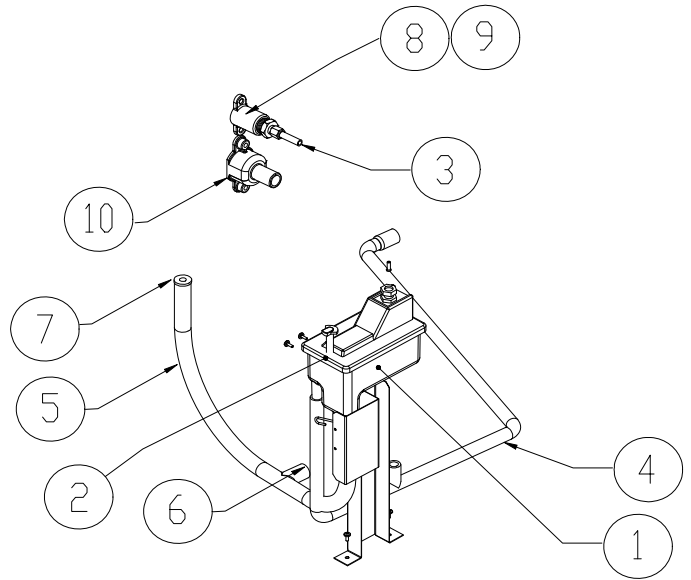
Item	Model Number			
No.	GEM1306A		MFI1506A	Description
1	9181153-11		9181153-11	Compressor Kit
2	9181009-17		9181009-17	Run Capacitor
3	9181003-52		9181003-52	Start Capacitor
4	9181010-04		9181010-04	Compressor Relay
5	Internal		Internal	Overload



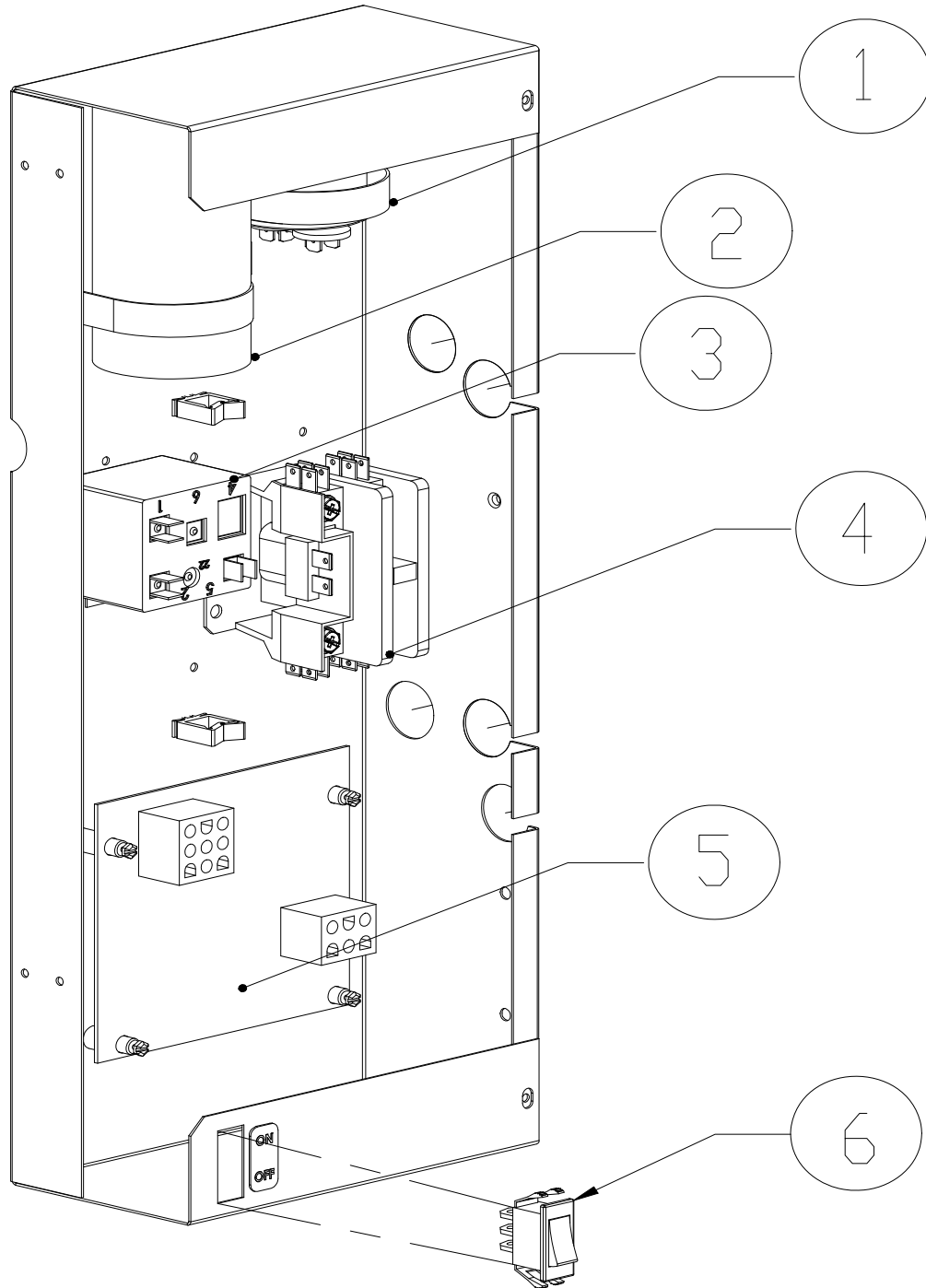
Item No.	Model Number				Description
		GEM1306R		MFI1256R	
1		9151123-01		9151123-01	Liquid Line Solenoid Body
2		9151123-04		9151123-04	Liquid Line Solenoid Coil
3		9181153-11		9181153-11	Compressor
4		9031001-41		9031001-41	Compressor Bolt
5		9181002-09		9181002-09	Compressor Grommet
6		9181002-02		9181002-02	Compressor Grommet Sleeve
7		9151163-03		9151163-03	Drier
8		9131143-02		9131143-02	Expansion Valve Insulation
9		9151182-01		9151182-01	Expansion Valve
10		9091086-01		9091086-01	Service Valve Body
11		9091086-02		9091086-02	Service Valve Core
12		9091086-03		9091086-03	Service Valve Cap
13		9041091-01		9041091-01	Hi Pressure Cut Out
14		9041102-01		9041102-01	Low Pressure Cut Out
15		9151159-01		9151159-01	Receiver
16		9151027-05		9151027-05	Head Pressure Control Valve
17		9091001-11		9091001-11	Quick Connect Fitting 3/8
18		9091001-12		9091001-12	Quick Connect Fitting 1/2
19		3013392-01		3013392-01	Rear Panel

Compressor and Starting Components

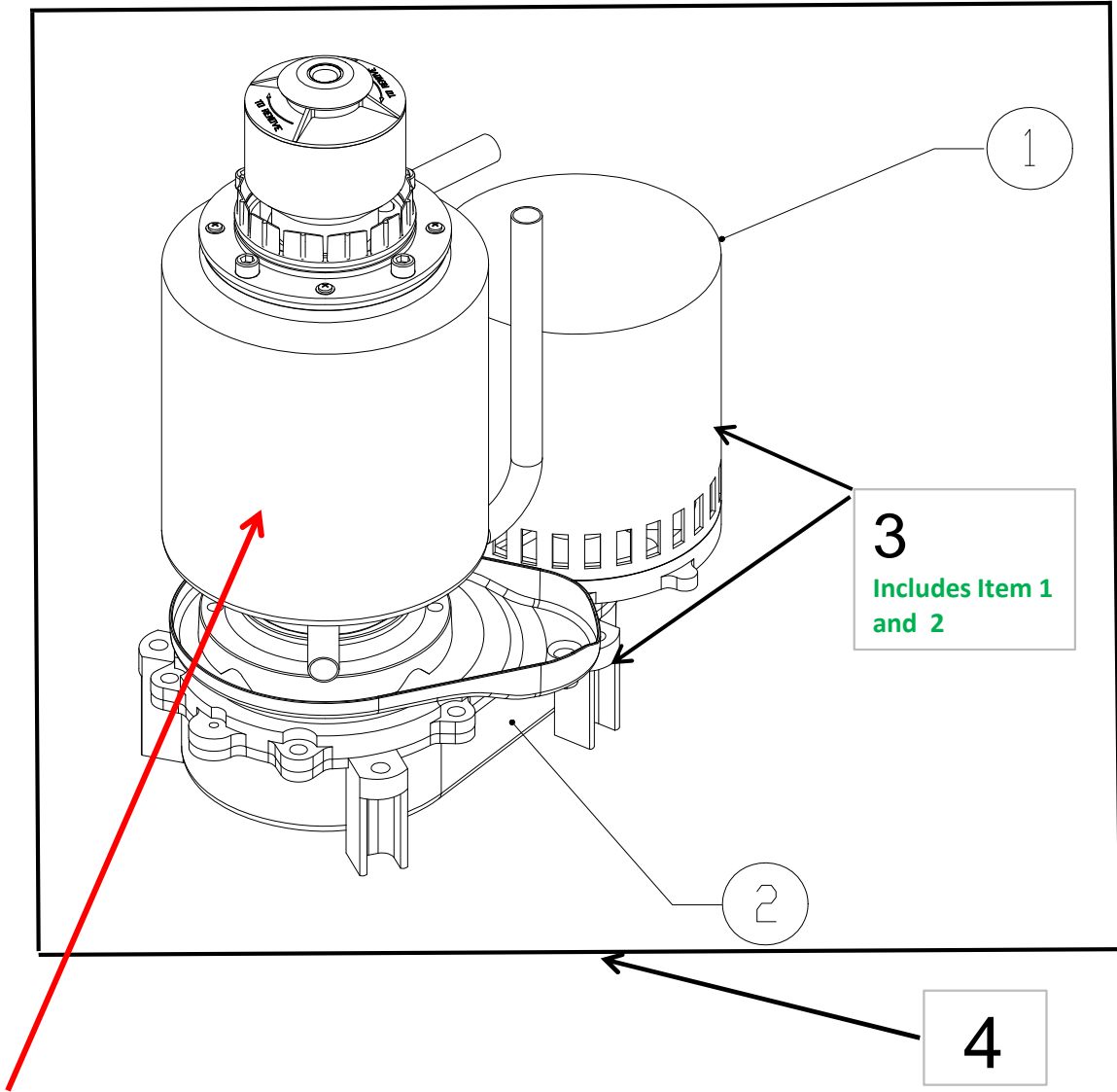
Item No.	Model Number				Description
		GEM1306R		MFI1256R	
1		9181153-11		9181153-11	Compressor Kit
2		9181009-17		9181009-17	Run Capacitor
3		9181003-52		9181003-52	Start Capacitor
4		9181010-04		9181010-04	Compressor Relay
5		Internal		Internal	Overload



Item No.	Model Number				Description
	GEM1306A	GEM1306R	MFI1506A	MFI1506R	
1	9131481-01	9131481-01	9131481-01	9131481-01	Float Assembly
2	9101334-01	9101334-01	9101334-01	9101334-01	Probe-Conductivity
3	3032898-40	3032898-40	3032898-40	3032898-40	1/4 OD Polyethylene Tube (40")
4	9051606-01	9051606-01	9051606-01	9051606-01	Tube, Water Drain
5	9051619-01	9051619-01	9051619-01	9051619-01	Tube, Evaporator Water Inlet
6	9021113-01	9021113-01	9021113-01	9021113-01	Clamp
7	9051610-01	9051610-01	9051610-01	9051610-01	Plug
8	9091074-01	9091074-01	9091074-01	9091074-01	Drop Adapter Fitting
9	9091083-01	9091083-01	9091083-01	9091083-01	Water Inlet Fitting
10	9091140-01	9091140-01	9091140-01	9091140-01	Drain Fitting
11	9051602-01	9051602-01	9051602-01	9051602-01	Cover-Ice Chute
12	9131494-01	9131494-01	9131494-01	9131494-01	Clamp-Ice Chute
13	9131495-01	9131495-01	9131495-01	9131495-01	Ice Chute and Foam Assembly
14	9021116-01	9021116-01	9021116-01	9021116-01	Clip-Hose
15	1051166-01	1051166-01	1051166-01	1051166-01	Bin Control Assembly Set of 2
16	9051614-01	9051614-01	9051614-01	9051614-01	Gasket, Ice Chute
17	9051601-02	9051601-02	9051601-02	9051601-02	Ice Chute,Lower
18	1011380-172	1011380-172	1011380-172	1011380-172	Evaporator
19	1011380-27	1011380-27	1011380-27	1011380-27	Drip Pan
20	1011380-83	1011380-83	1011380-83	1011380-83	Drip Pan Gasket
21	1011380-85	1011380-85	1011380-85	1011380-85	Water Shed
22	1011380-178	1011380-178	1011380-178	1011380-178	Insulation
23	1011380-179	1011380-179	1011380-179	1011380-179	Insulation



Item No.	Model Number		MFI1506A	MFI1506R	Description
	GEM1306A	GEM1306R			
1	See Page 4	See Page 4	See Page 4	See Page 4	Run Capacitor
2	See Page 4	See Page 4	See Page 4	See Page 4	Start Capacitor
3	See Page 4	See Page 4	See Page 4	See Page 4	Compressor Relay
4	9101002-06	9101002-06	9101002-06	9101002-06	Contactur
5	9101335-01	9101335-01	9101335-01	9101335-01	Board
6	9101139-04	9101139-04	9101139-04	9101139-04	Switch

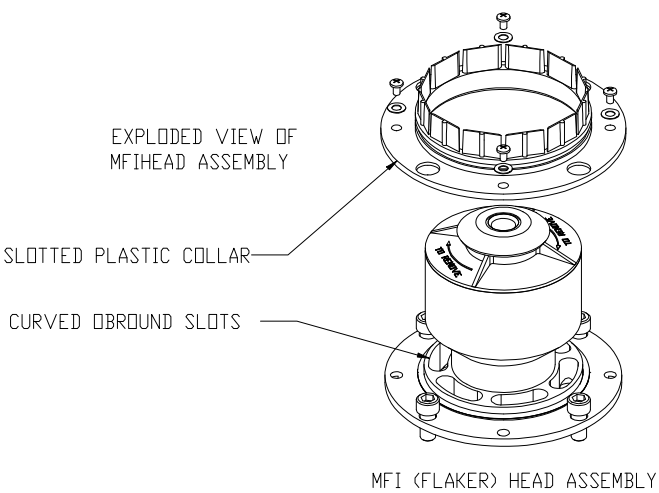
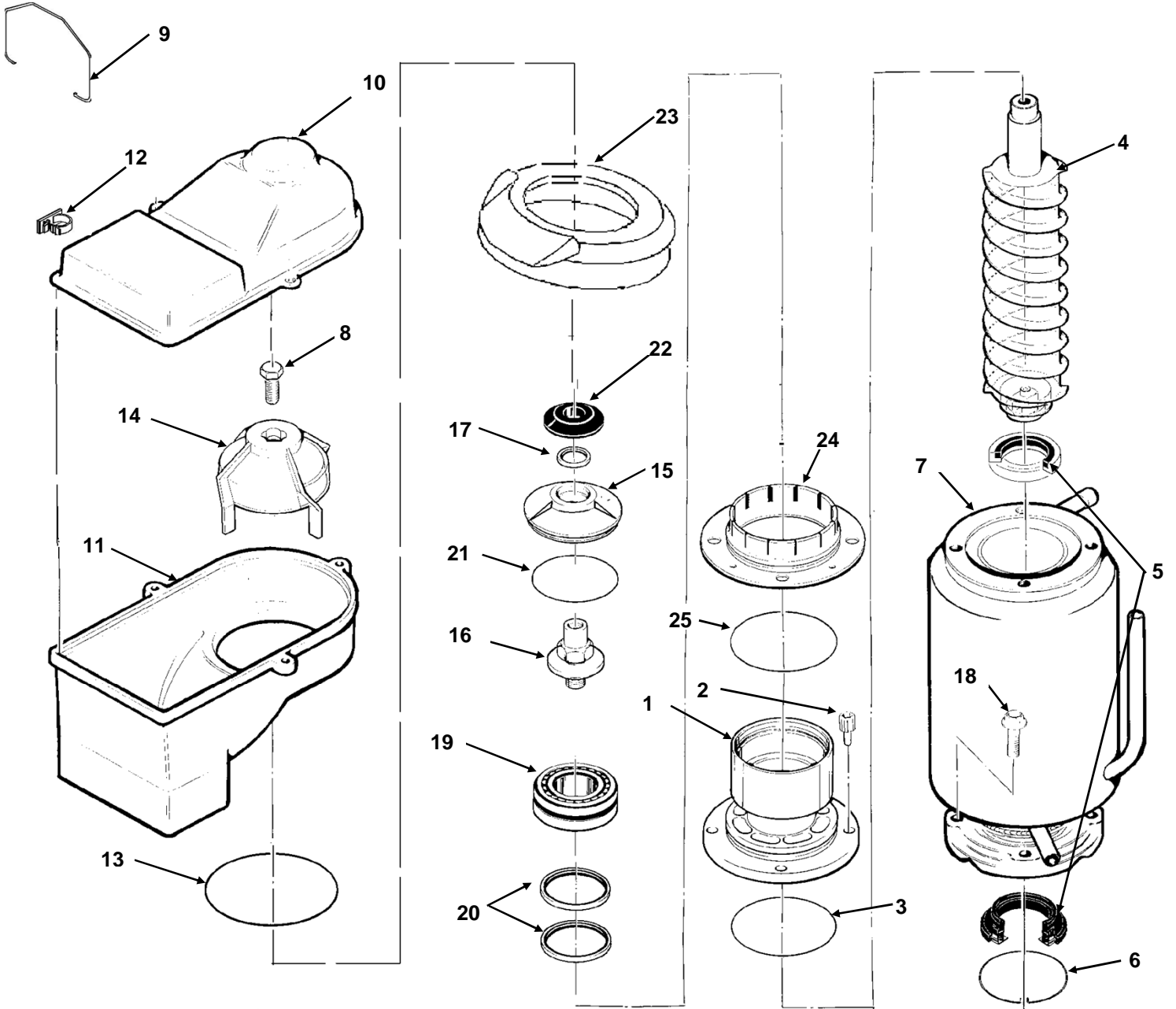


The Evaporator IS NOT AVAILABLE AS AN ASSEMBLY, INDIVIDUAL COMPONENTS MUST BE ORDERED

***Note: Complete Assembly includes Drive Motor, Gear Case Assembly and Evaporator Assembly**

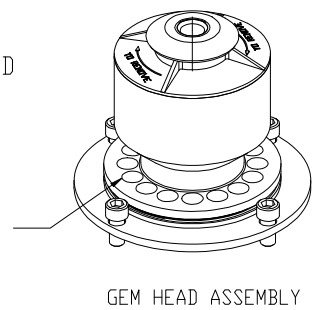
Item No.	Model Number				Description
	GEM1306A	GEM1306R	MFI1506A	MFI1506R	
1	1011380-68	1011380-68	1011380-68	1011380-68	Drive Motor Only
2	1011380-189	1011380-189	1011380-189	1011380-189	Gear Box Assembly Only
3	1011380-187	1011380-187	1011380-187	1011380-187	Drive Motor-Gear Box Assy
4	9131496-06	9131496-06	9131496-05	9131496-05	Complete Assembly*

Lubricants			
	1011380-163		1011380-163 Gear Case Lubricant
	1011380-230		1011380-230 Grease Needle
	6051062-01		6051062-01 Upper Bearing Grease



NOTE DIFFERENCE BETWEEN MFI HEAD ASSEMBLY AND GEM HEAD ASSEMBLY

ROUND EXTRUSION HOLES WITH NO SLOTTED PLASTIC COLLAR



Item No.	Model Number		MFI1506A	MFI1506R	Description
	GEM1306A	GEM1306R			
1	1011380-175	1011380-175	1011382-01	1011382-01	Breaker (Includes items 3,15,17,19,21,22,25)
2	1011380-44	1011380-44	1011380-44	1011380-44	Socket Head Screw
3	1011380-80	1011380-80	1011380-80	1011380-80	O-Ring
4	1011380-226	1011380-226	1011380-226	1011380-226	Auger
5	1011380-02	1011380-02	1011380-02	1011380-02	Water Seal
6	1011380-168	1011380-168	1011380-168	1011380-168	Ring, Water Seal
7	1011380-172	1011380-172	1011380-172	1011380-172	Evaporator-Barrel Only
8	1011380-38	1011380-38	1011380-38	1011380-38	Hex Cap Screw
9	9131494-01	9131494-01	9131494-01	9131494-01	Bail Clamp
10	9051602-01	9051602-01	9051602-01	9051602-01	Ice Chute Cover
11	9131495-01	9131495-01	9131495-01	9131495-01	Ice Chute Body with Insulation
12	9021116-01	9021116-01	9021116-01	9021116-01	Drain Hose Clip
13	1011380-81	1011380-81	1011380-81	1011380-81	O-Ring
14	9051603-01	9051603-01	9051603-01	9051603-01	Ice Sweep
15	1011380-13	1011380-13	1011380-13	1011380-13	Breaker Cover
16	1011380-46	1011380-46	1011380-46	1011380-46	Auger Stud
17	1011380-11	1011380-11	1011380-11	1011380-11	Lip Seal
18	1011380-37	1011380-37	1011380-37	1011380-37	Cap Screw
19	1011380-202	1011380-202	1011380-202	1011380-202	Bearing
20	1011380-10	1011380-10	1011380-10	1011380-10	Lip Seal
21	1011380-82	1011380-82	1011380-82	1011380-82	O-Ring
22	1011380-86	1011380-86	1011380-86	1011380-86	Water Shed
23	9051613-02	9051613-02	9051613-01	9051613-01	Insulation Collar
24	N/A	N/A	1011382-02	1011382-02	Slotted collar
25	N/A	N/A	1011382-04	1011382-04	O-Ring

Note: Reference Page 10 for Lubricant and Grease Needle