



Gulf Ice Systems

gulficesystems.com

Bag-In-Box Shelf Systems (15") 1 Box Shelf & 4 Pump Riser

- Sturdy all welded construction.
- Each shelf is powder coated black.
- Modular design allows for shelf stacking using 2" connectors.
- Holes built into each shelf to run BIB tubing from back to front.
- Flat shelf or Riser can be purchased individually or as a bulk pallet.
- Each rack shelf has a 60 Lb weight capacity.

NSF Approved



with hole panels



with glide panels



1-BFFJ	1 Box Flat Shelf
15" W x 17" D x 11" H	

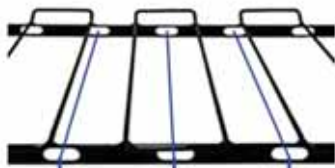
Use 4" connectors to stack shelves.

	QTY	
SINGLE	1	
BULK PALLET	50	

1-BPM4FJG	4 Pump, 2 Bar Riser
15" W x 1" D x 24" H	

Use 4" connectors to stack shelves.

	QTY	
SINGLE	1	
BULK PALLET	112	



Holes built into each shelf to run BIB tubing from back to front.



Hole panel



glide panel

Gulf Ice Systems, Inc.
 7790 Sears Blvd., Pensacola, FL 32514
 P.O. Box 11008, Pensacola, FL 32524
 (850) 474-1784
 Fax: (850) 477-2458

800-322-4853

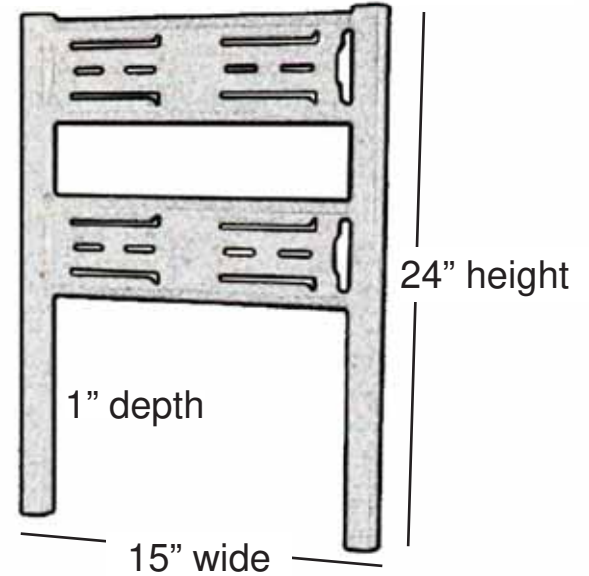
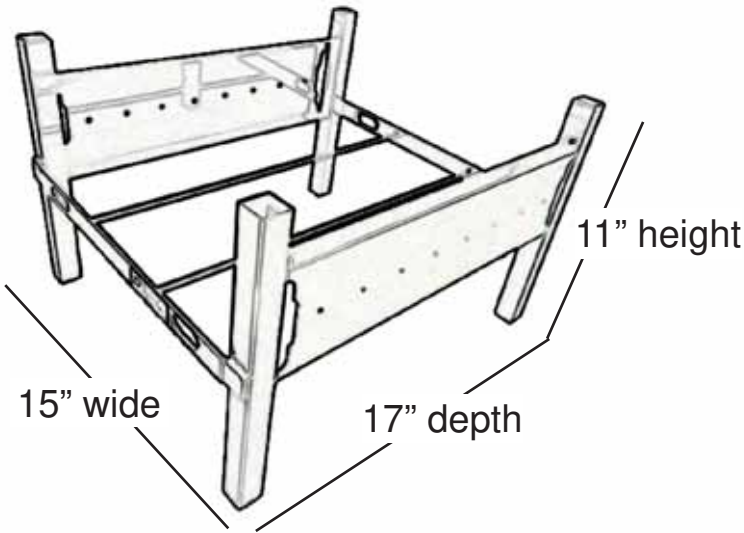
SALES@gulficesystems.com



gulficesystems.com

Bag-In-Box Shelf Systems

(15") 1 Box Shelf & 4 Pump Riser



NSF Approved



Mount up to 4 BIB Syrup Pumps



2" Shelf Leg Connector

Modular shelves can be connected to create a complete BIB system.

Gulf Ice Systems, Inc.
7790 Sears Blvd., Pensacola, FL 32514
P.O. Box 11008, Pensacola, FL 32524
(850) 474-1784
Fax: (850) 477-2458

800-322-4853

SALES@gulficesystems.com



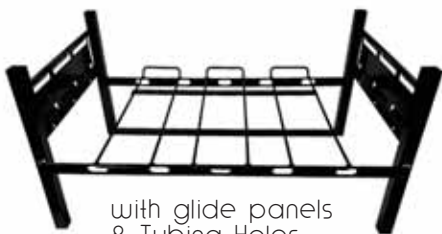
**Gulf Ice
Systems**

gulficesystems.com

Bag-In-Box Shelf Systems (28") 2/3 Box Shelf & Pump Riser

- Sturdy all welded construction.
- Each shelf is powder coated black with finger print proof texture.
- Each shelf has two stabilizer bars built-in to the frame.
- Modular design allows for shelf stacking using 2" connectors.
- Holes built into each shelf to run BIB tubing from back to front.
- Flat shelf or Riser can be purchased individually or as a bulk pallet.
- Each rack shelf has a 120 to 150 Lb weight capacity.

NSF Approved



with glide panels
& Tubing Holes

2-BVFFJG	2 Box Flat or 3 Box Vertical Shelf
28" W x 17" D x 14" H	

Use 4" connectors to stack shelves.

	QTY	
SINGLE	1	
BULK PALLET	48	



with glide panels



glide panel

C2-BVPM6FJ	2 Bar Pump Riser
28" W x 1.5" D x 24" H	

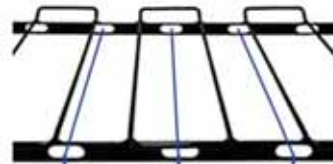
Use 4" connectors to stack shelves.

	QTY	
SINGLE	1	
BULK PALLET	50	



2" Shelf Leg Connector

Modular shelves can be connected to create a complete BIB system.



Holes built into each shelf to run BIB tubing from back to front.

Gulf Ice Systems, Inc.
7790 Sears Blvd., Pensacola, FL 32514
P.O. Box 11008, Pensacola, FL 32524
(850) 474-1784
Fax: (850) 477-2458

800-322-4853

SALES@gulficesystems.com



gulficesystems.com

Bag-In-Box Shelf Systems

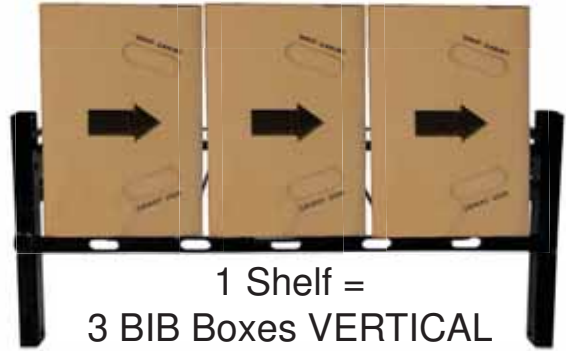
NSF Approved

(28") 2/3 Box Shelf & Pump Riser

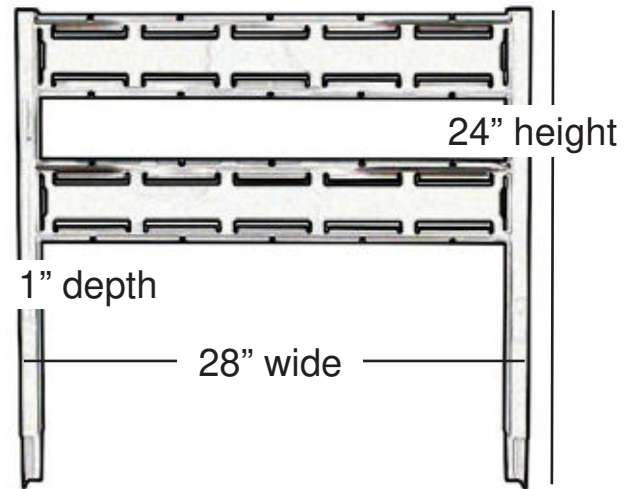
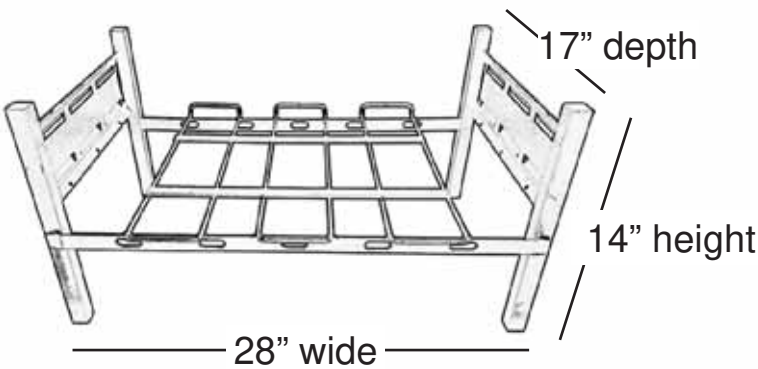


1 Shelf =
2 BIB Boxes FLAT

OR



1 Shelf =
3 BIB Boxes VERTICAL



NSF Approved



Gulf Ice Systems, Inc.
7790 Sears Blvd., Pensacola, FL 32514
P.O. Box 11008, Pensacola, FL 32524
(850) 474-1784
Fax: (850) 477-2458

800-322-4853

SALES@gulficesystems.com



Gulf Ice Systems

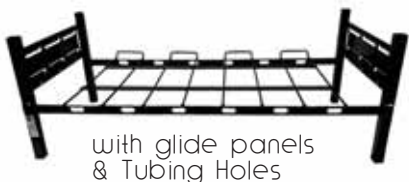
gulficesystems.com

Bag-In-Box Shelf Systems

(39") 3/4 Box Shelf & Pump Mount Options

- Sturdy all welded construction.
- Each shelf is powder coated black with finger print proof texture.
- Each shelf has two stabilizer bars built-in to the frame.
- Modular design allows for shelf stacking using 2" connectors.
- Holes built into each shelf to run BIB tubing from back to front.
- Flat shelf, Top Shelf, Halo Shelf or Riser can be purchased individually or as a bulk pallet.
- Each rack shelf has a 180 Lb weight capacity.

NSF Approved



with glide panels & Tubing Holes

3-BVFFJG	3 Box Flat or 4 Box Vertical Shelf
39" W x 17" D x 14" H	

Use 4" connectors to stack shelves.

	QTY	
SINGLE	1	
BULK PALLET	48	



with glide panels

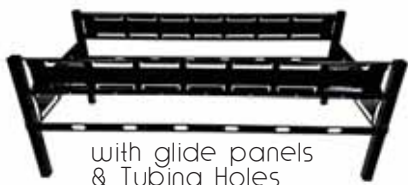


glide panel

3-BPM8FJG	8 Pump, 2 Bar Riser
39" W x 1" D x 24" H	

Use 4" connectors to stack shelves.

	QTY	
SINGLE	1	
BULK PALLET	50	



with glide panels & Tubing Holes

3-CPMFJG	Halo (2-side) Pump Mount
39" W x 17" D x 15.5" H	

Use 4" connectors to stack shelves.

	QTY	
SINGLE	1	
BULK PALLET	20	



HALO Configuration



2" Shelf Leg Connector

Modular shelves can be connected to create a complete BIB system.

Gulf Ice Systems, Inc.
7790 Sears Blvd., Pensacola, FL 32514
P.O. Box 11008, Pensacola, FL 32524
(850) 474-1784
Fax: (850) 477-2458

800-322-4853

SALES@gulficesystems.com



gulficesystems.com

Bag-In-Box Shelf Systems (39") 3/4 Box Shelf & Pump Mount Options

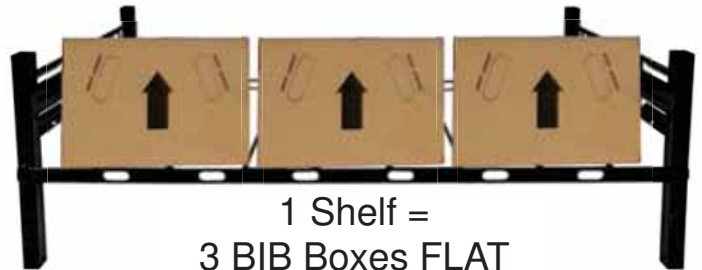
NSF Approved



3-BTFJ-RT-4	4" Tall Rack Shelf (Use with 3-CPM FJG Halo)
39" W x 17" D x 4" H	

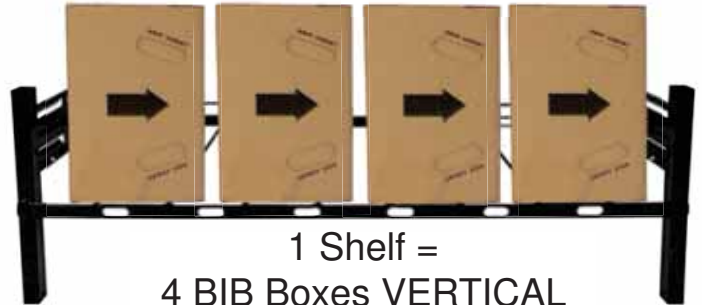
Use 4" connectors to stack shelves.

	QTY	
SINGLE	1	
BULK PALLET	50	

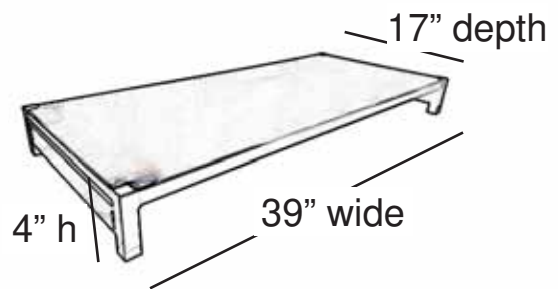
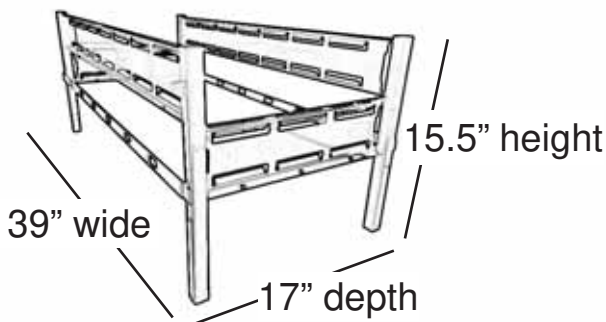
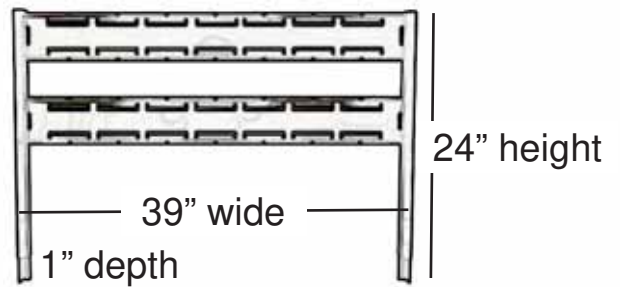
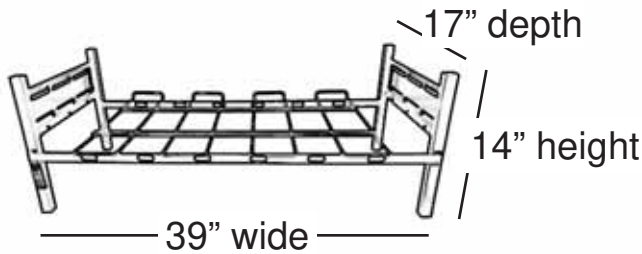


1 Shelf =
3 BIB Boxes FLAT

OR



1 Shelf =
4 BIB Boxes VERTICAL



Gulf Ice Systems, Inc.
7790 Sears Blvd., Pensacola, FL 32514
P.O. Box 11008, Pensacola, FL 32524
(850) 474-1784
Fax: (850) 477-2458

800-322-4853

SALES@gulficesystems.com