



**Ice-O-Matic®**

THE CHOICE IS CLEAR

**SERVICE PARTS MANUAL**  
**30" MODULAR ICE SERIES CUBERS**  
**Top Air & Remote Cooled with R449 Refrigerant**  
**ICE1506HT49 / ICE1506HR49**



**ICE1506HT49 (Top Air Discharge)**



**ICE1506HR49 (Remote)**

# **ICE1506 Service Parts**

---

This parts list contains the service parts available for the ICE1506 icemakers.

ICE1506HR49

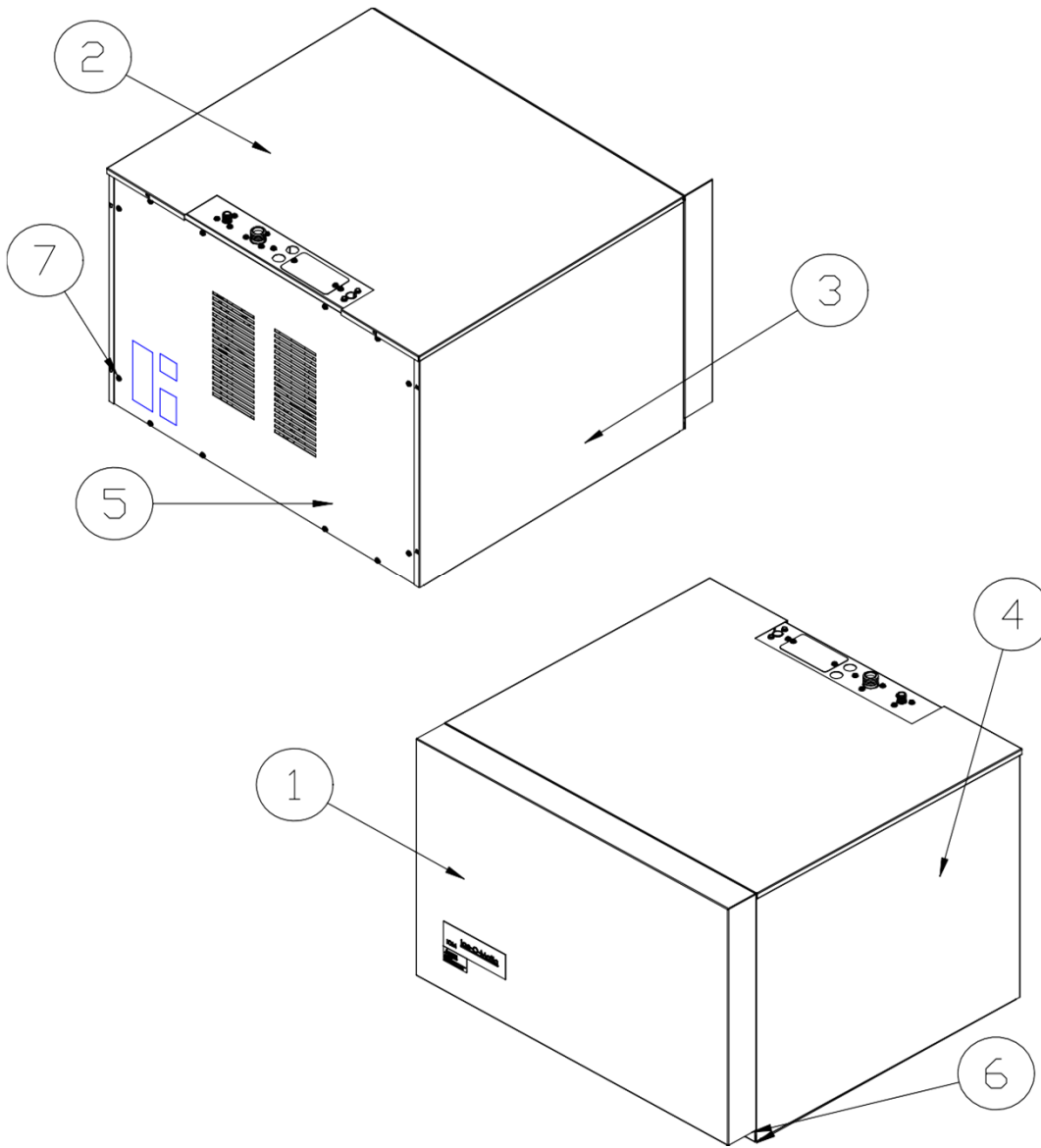
ICE150HT49

Check the model number on the data plate and refer to the correct listing for the specific component.

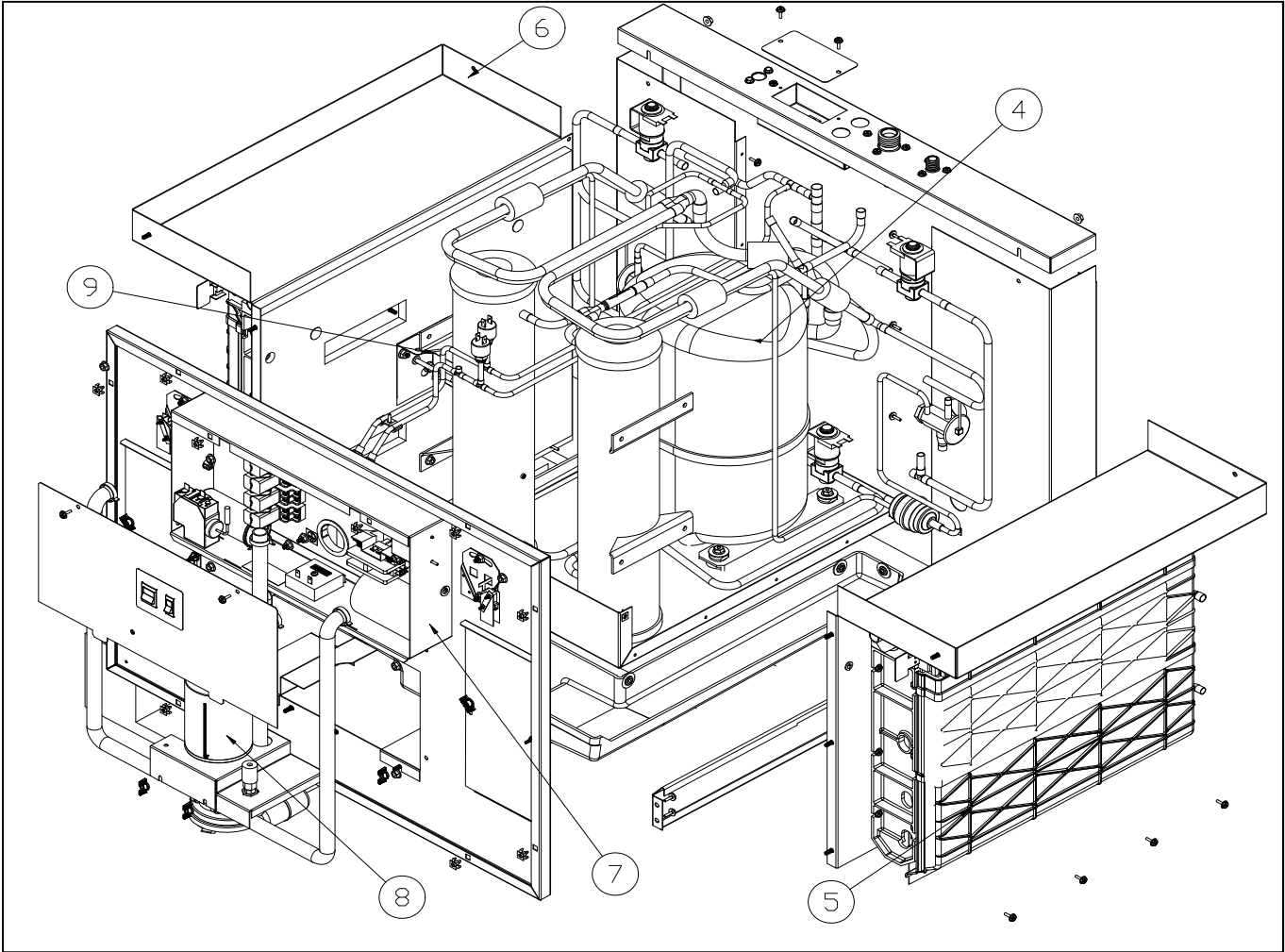
**Check carefully that the correct part is identified and ordered.**

<b>Table of Contents</b>	<b>Page 1</b>
<b>Cabinet Exterior Panels</b>	<b>Page 2</b>
<b>Cabinet Breakdown</b>	<b>Page 3</b>
<b>Refrigeration System</b>	<b>Page 4</b>
<b>Evaporator and Components (Right Side)</b>	<b>Page 5</b>
<b>Evaporator and Components (Left Side)</b>	<b>Page 6</b>
<b>Control Box and Bin Switch Assembly</b>	<b>Page 7</b>
<b>Water Pump/Float Assembly</b>	<b>Page 8</b>
<b>Harvest Probe Assembly</b>	<b>Page 9</b>
<b>Top Air Discharge Components</b>	<b>Page 10</b>
<b>Compressor Information</b>	<b>Page 11</b>

**Ice-O-Matic**  
**11100 East 45th Ave.**  
**Denver Co. 80239**  
**800-423-3367**



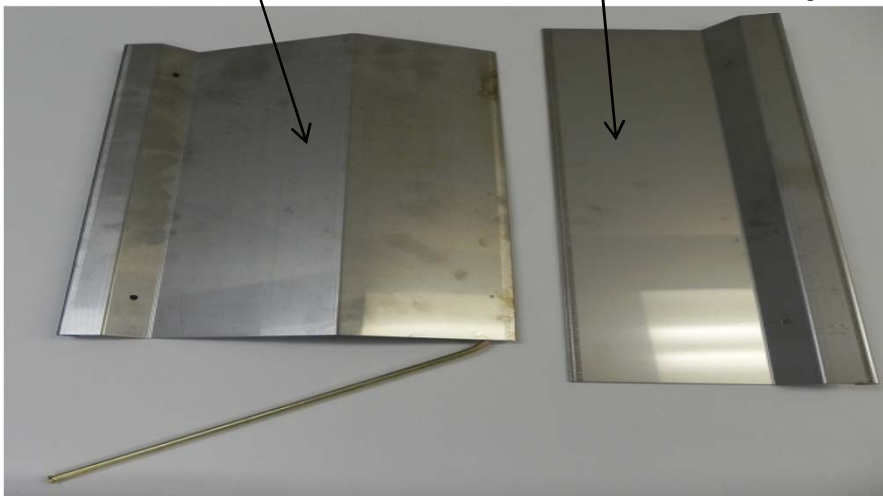
Item No.	ICE1506HR49	Part Number	Item No.	ICE1506HT49	Part Number
	Description			Description	
1	Front Panel	2031527-01S	1	Front Panel	2031530-01S
2	Top Panel	3021931-01	2	Top Cover	3021988-01
3	L.H Side Panel	2101363-02S	3	L.H Side Panel	2031531-01S
4	R.H Side Panel	2101363-01S	4	R.H Side Panel	2031531-02S
5	Back Panel	3022023-01	5	Back Panel- <b>UPPER</b>	3021992-01
				Back Panel- <b>LOWER</b>	3021989-01
6	Front Panel Screw	9031098-03P			
7	Side and Rear Panel Screw	9031046-01P			
	Plastic Nut, For Panel Screws, Not Shown	9031141-01P			



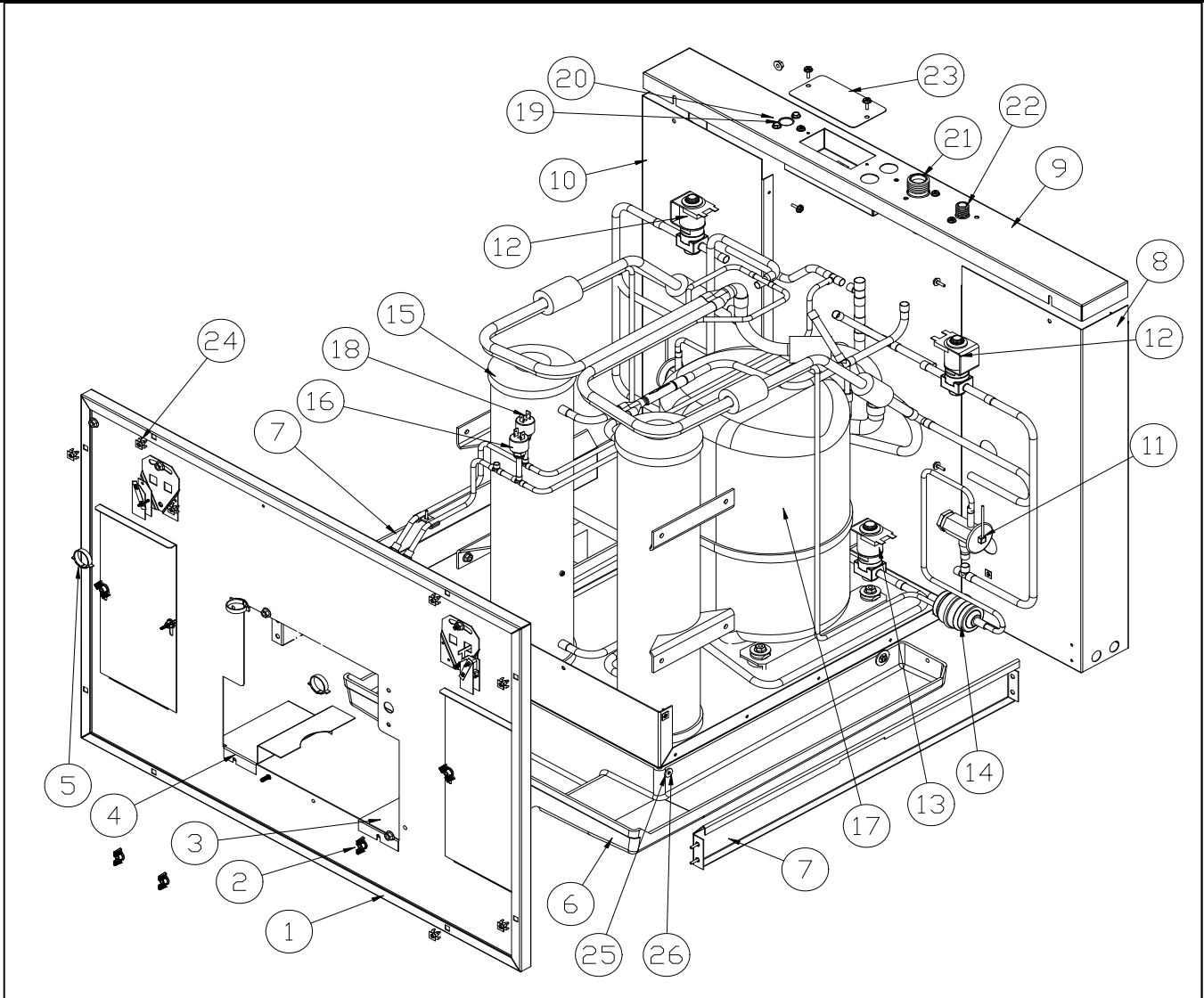
Item No.	Page Number	Description
4	Page No. 4	Cabinet Base
5	Page No. 5	Evaporator Assembly
6	Page No. 6	Evaporator Assembly
7	Page No. 7	Control Box and Bin Switch Assembly
8	Page No. 8	Pump Assembly
9	Page No. 9	Harvest Assist
13	Page No.10	Top Air Discharge Components

Ice Deflector Left Side 2021685-01

Ice Deflector Right Side 3013255-01



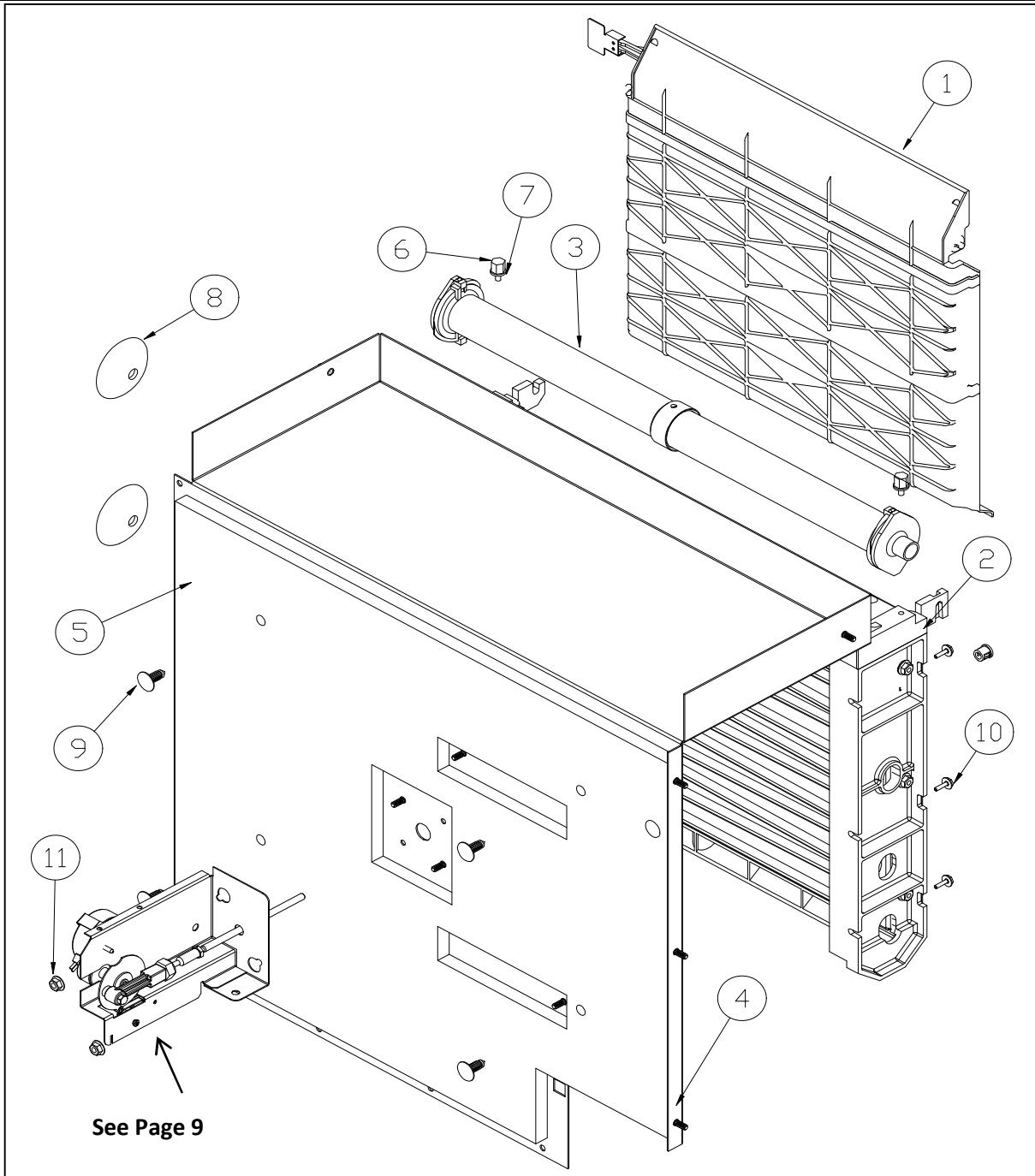
**Ice Deflector Kit  
1051160-01  
Includes:  
2021685-01  
3013255-01**



Item No.	Description	Part Number
1	Front Frame Panel	2021719-01
2	Plastic Wing Nut	9031161-01
3	Water Pan Cover	3012910-01
4	Water Pan Cover	3012958-01
5	Hose Clamp	9021010-04
6	Water Pan	9051473-01
7	Ice Deflector	3012924-01
8	Rear Frame RH	3013143-01
9	Rear Brace	3013144-01
10	Rear Frame LH	3013143-01
11	Expansion Valve	9151134-02
11	Expansion Valve <b>ICE1506HR49</b>	<b>9151218-101</b>
11	Expansion Valve <b>ICE1506HT49</b>	<b>9151204-101</b>
12	Hot Gas Valve	9151123-01
	Hot Gas Valve Coil	9151123-04
13	Liquid Line Solenoid	9151123-02
	Liq. Line Sol. Coil	9151123-04
14	Drier	9151163-02

Item No.	Description	Part Number
15	Receiver	9151138-01
16	Pump Down Control	9041092-02
17	Compressor Kit <b>ICE1506R</b>	See Page 11
	<b>Remote Condenser</b>	<b>RC306C49-1</b>
17	Compressor Kit <b>ICE1506T</b>	See page 11
18	High Pressure Control	9041111-01
19	Drop Adapter	9091074-01
20	Water Inlet Fitting	9091083-01
21	1/2" Coupling	9091001-12
22	3/8" Coupling	9091001-11
23	Junction Box Cover	3012103-01
24	Plastic Nut	9031141-01
25	Flat Washer	9031004-19
26	Screw	9031046-24
	Plastic Drain Fitting	9091140-01

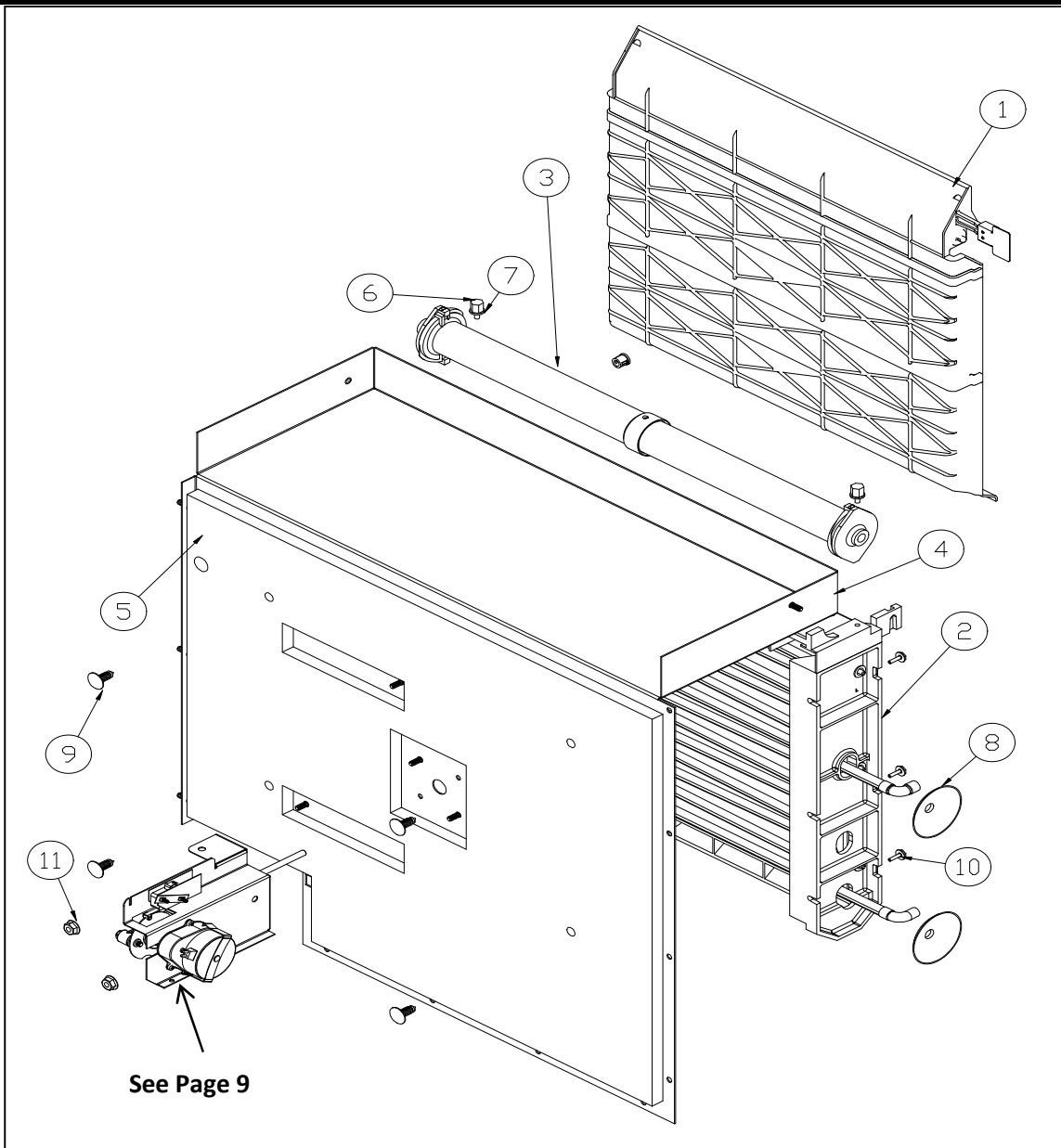
Note: Include installation hardware



Item No.	Description	Part Number
1	Splash Curtain <b>Right Hand Side</b>	2101416-01S
2	Evap. RH Side--Half	2051238-82A
2	Evap. RH Side-Half <b>ICE1506HT</b>	2051238-82A

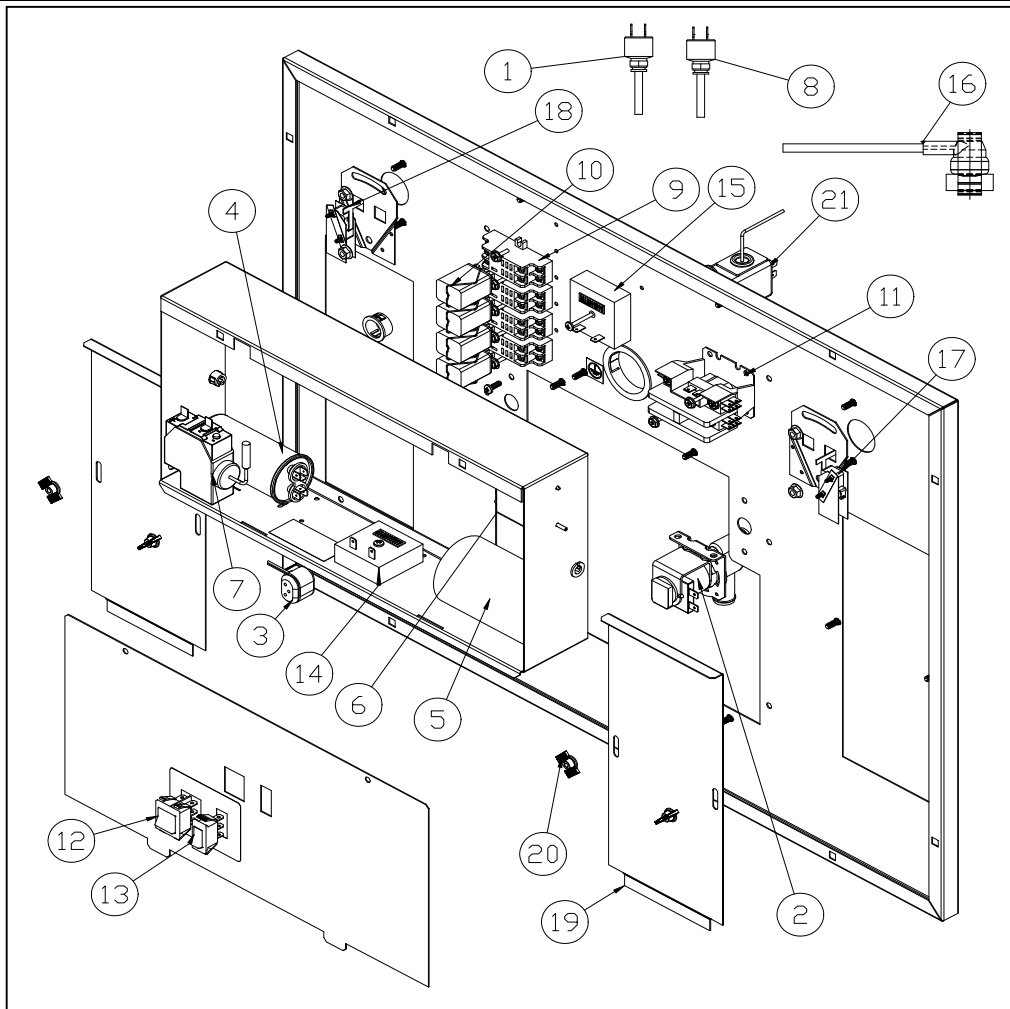
**Note:** Evap. includes Elbows

Item No.	Description	Part Number
3	Water Distribution Tube	2041338-02
4	Frame Panel <b>RH</b>	2021720-01
5	Insulation, Side Panel	9131444-01
6	Thumb Screw	9031122-01
7	Rubber Washer	9031004-19
8	Tube Washer	9051237-01
9	Clips	9031154-01
10	#10-16 X 1/2 Screw	9031046-01
11	#10-24 Flanged Locknut	9031118-03



Item No.	Description	Part Number
1	Splash Curtain <b>Left Hand Side</b>	2101416-02S
2	Evap Left Side-- <b>Half</b>	2051237-82A
2	Evap Left Side-- <b>Half ICE1506HT</b>	2051237-82A
3	Water Distribution Tube	2041338-02
4	Frame Panel <b>LH</b>	2021721-01
5	Insulation, Side Panel	9131444-02
6	Thumb Screw	9031122-01
7	Rubber Washer	9031004-19
8	Tube Washer	9051237-01
9	Clips	9031154-01
10	#10-16 X 1/2 Screw	9031046-01
11	#10-24 Flanged Locknut	9031118-03

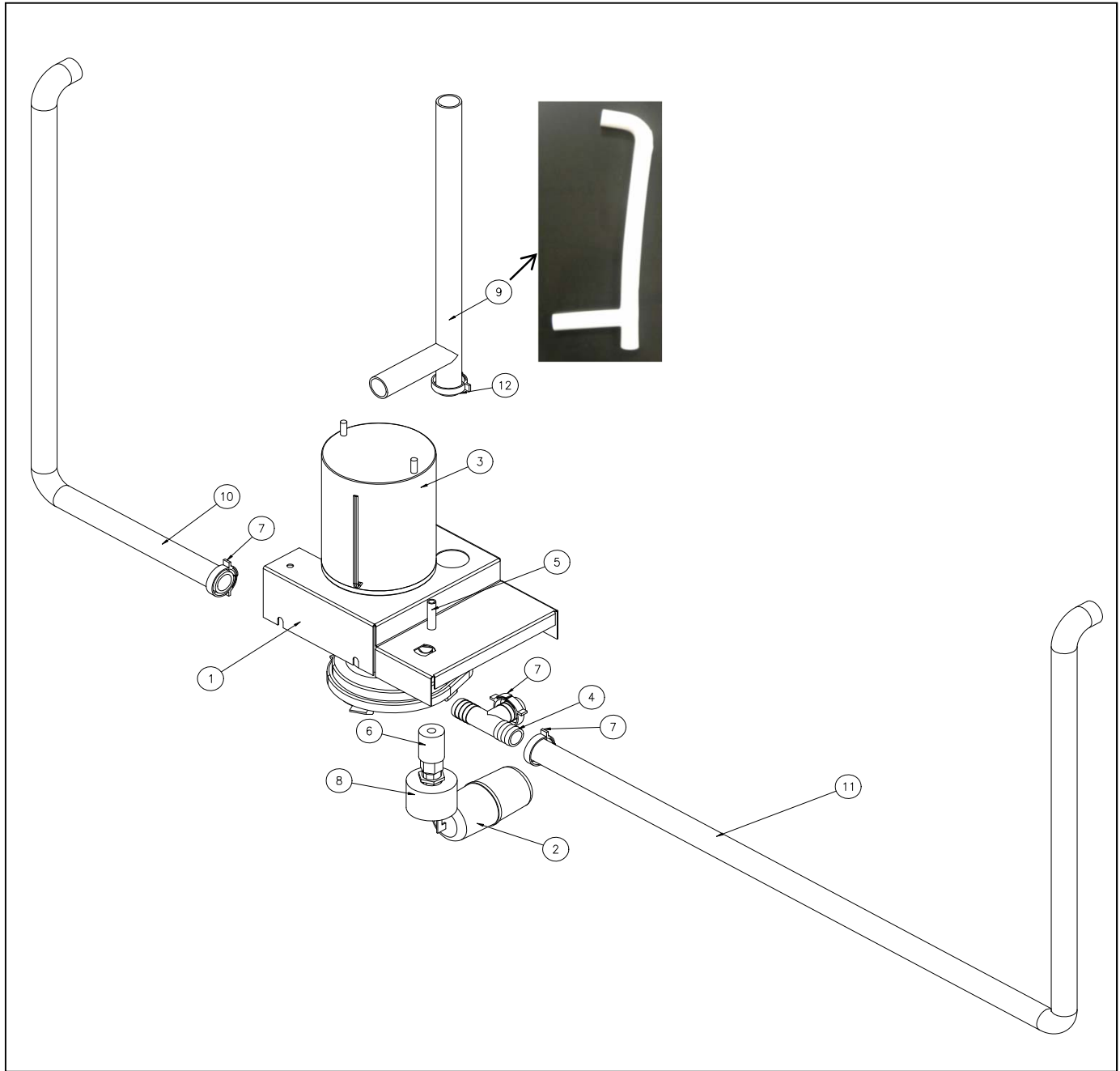
Includes Elbows



Item No.	Description	Part Number
1	Pump Down Control	9041092-02
2	Purge Valve	9041105-05
3	Water Pump Cord	9101218-10
4	Run Capacitor See Detail*	See Detail
5	Start Capacitor See Detail*	See Detail
6	Start Relay See Detail*	See Detail
7	Timer Initiate Control***	9041104-101A
8	High Pressure Control	9041111-01
9	Relay Socket	9101083-01
10	Relay 230 Volt	9101084-02
11	Contactor	9101002-06
12	Selector Switch	9101195-01
13	Purge Switch	9101139-03
14	Timer (4 Second)	9101148-01
15	Timer (Cube Size)	9101148-01
15	Timer (6 minute)	9101148-01
16	High Temp Safety	9041117-01
17-18	Bin Limit Switch	9101124-02
19	Access Panel	3013156-01
20	Nylon Wing Nut	9031161-01
21	Bin Thermostat	9041097-01
	Fan Control ICE1506 HT	9041106-01

Reference Page 11  
For Compressor and Components

Note\*\*\* Includes Solvent and Adhesive

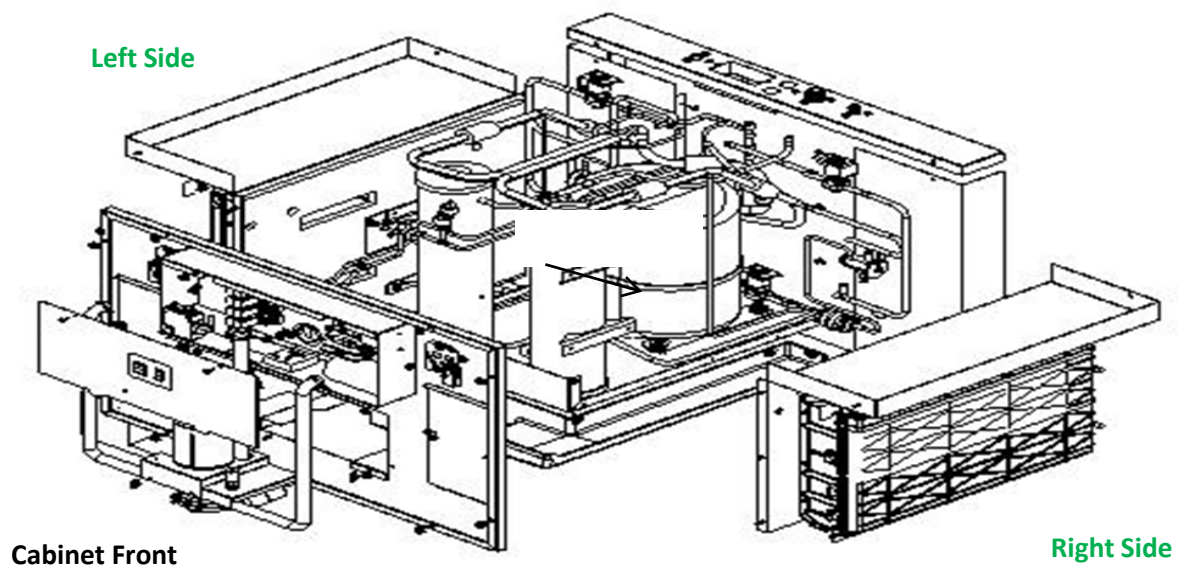


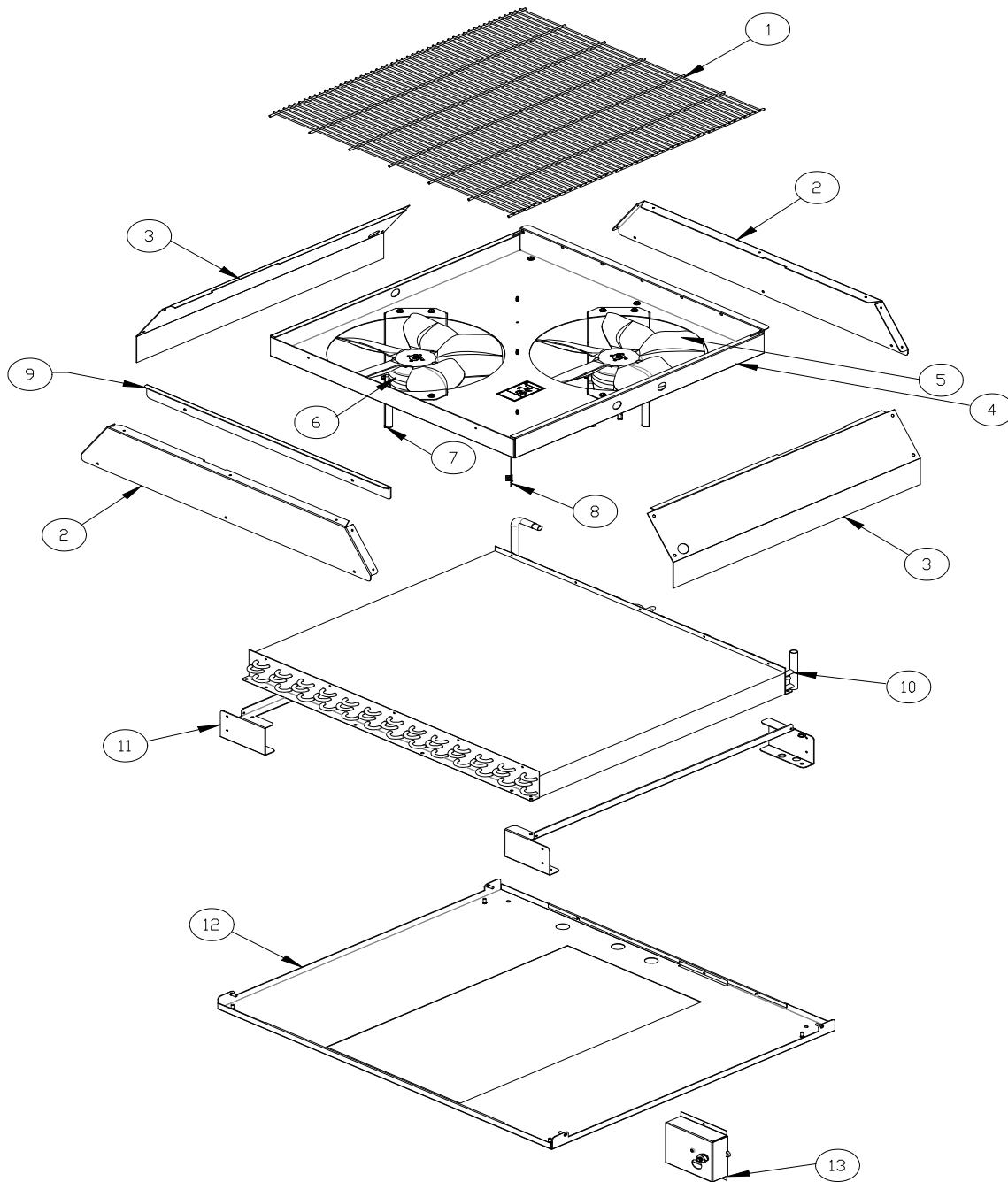
Item No.	Description	Part Number
1	Water Pump Bracket	3012957-01
2	Float Assembly*	<b>9131111-102</b>
3	Water Pump	9161079-06
4	Barbed Tee	9091024-01
5	1/4 " ID Plastic Tubing-40" long	3032898-40
6	1/4 " x 40" Long Insulation	3051210-40
7	Hose Clamp	9021010-04
8	Cap Plug	9131026-02
9	<b>Purge/Pump Tube</b>	<b>9051630-01</b>

Item No.	Description	Part Number
10	Water Tube Evap Left	9051554-01
11	Water Tube Evap Right	9051555-01
12	Hose Clamp	9021010-04

\*Note-Float Assembly Includes Fittings for Various Applications

Item No.	Description		Part Number	
	Complete Assembly	Right	1051210-02B	ICE1506 Remote and Top Air
	Left	Complete Assembly	1051210-03B	ICE1506 Remote and Top Air





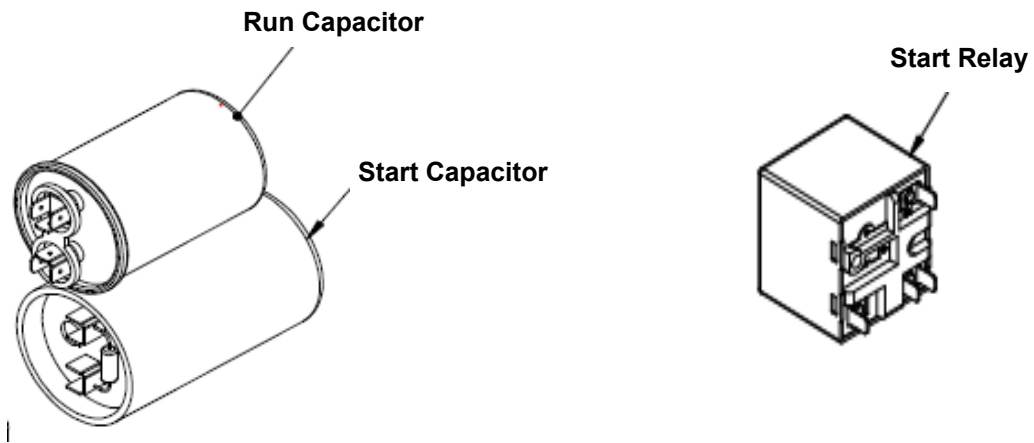
**ICE1506 Top Air Discharge**

1	Wire Fan Guard	9131454-02
2	Bracket, Condenser End	3013574-01
3	Cover, Condenser	3013576-01
4	Shroud, Fan	3013563-01
5	Fan Blade	9131489-01
6	Fan Motor	9161125-01
7	Bracket, Fan	3013561-01
8	Bracket, Divider	3013562-01
9	Bracket, Grill	3013575-01
10	Condenser	9141144-01
11	Bracket, Condenser Frame	3013573-01
12	Base	2021751-01
13	Junction Box	3013266-01

\*Compressor Detail

Remote Condenser for ICE1506HR49 is RC306C49-1

<b>ICE1506HRemote</b>			<b>ICE1506H Top Air</b>		
<b>9181241-11</b>			<b>9181241-11</b>		
Compressor Kit	Drier	9151163-03	Compressor Kit	Drier	9151163-03
	Start Capacitor	<b>9181003-21</b>		Start Capacitor	<b>9181003-21</b>
	Run Capacitor	<b>9181009-18</b>		Run Capacitor	<b>9181009-18</b>
	Start Relay	<b>9181010-38</b>		Start Relay	<b>9181010-38</b>



--	--

--	--

--	--