

ICE-O-Matic R-404A Line Kits

Information based on manufacturer specifications



Gulf Ice Systems

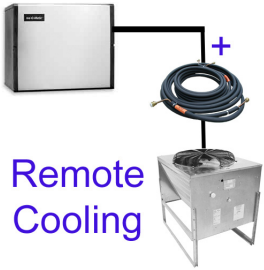
PRECHARGED TUBING KIT PRODUCT NUMBERS

RT325-404

RT340-404

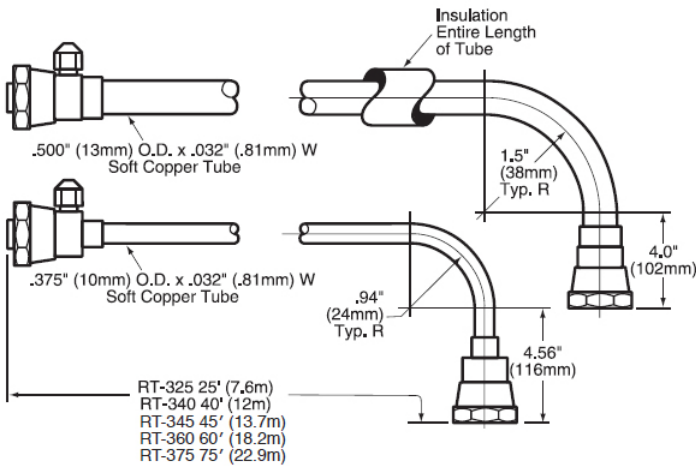
RT375-404

- For use with condenser model RCA
- For use with condenser model RGA
- For use with R-404A remote cooled ice makers

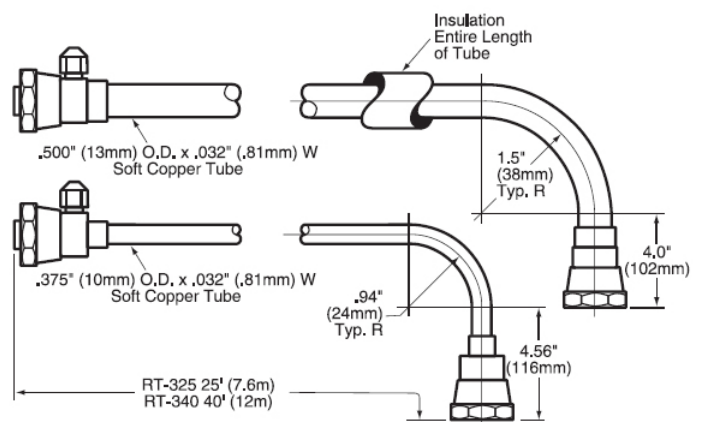


Remote Cooling

<i>Model #</i>	<i>Description</i>	<i>Shipping Weight (lbs)</i>
RT325-404	25ft Precharged Tubing Kit for units using R-404A refrigerant	<u>13</u>
RT340-404	40ft Precharged Tubing Kit for units using R-404A refrigerant	<u>18</u>
RT375-404	75ft Precharged Tubing Kit for units using R-404A refrigerant	<u>36</u>



GRC / RGA Condenser



VRC / RCA Condenser

* Remote condensers and line sets are required for remote cooled units.



Ice-O-Matic



Ice. Pure and Simple

Pre-charged Remote Refrigeration Line Kit connection between Icemakers & Remote Condensers

● Contractor sets the equipment and run the line kits



GEM0956R
(nugget)



CIM0836HR
(cuber)



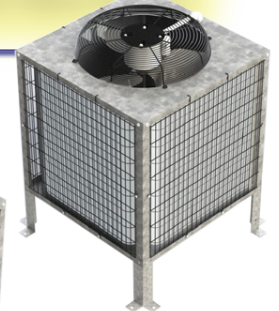
25' Line Kit
(nugget)



40' Line Kit
(cuber)

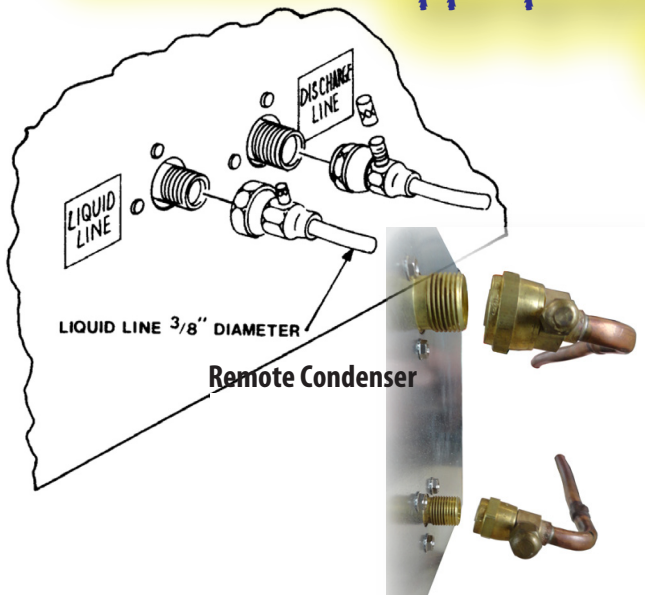


RCA-2061
(remote condenser)



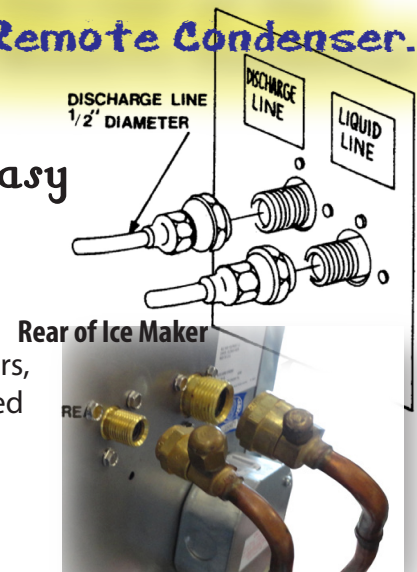
RGA1061-HM
(remote condenser)

● Contractor simply connects the line kit to the appropriate fittings on the rear of the Icemaker and Remote Condenser.



Simple and Easy

Ice Makers, Condensers, and Line Kits are sealed with refrigerant and self-puncture when female fittings are threaded to the male fittings on each unit.



Sales ● Service ● Support

www.gulficesystems.com
SALES@gulficesystems.com

Page 1 of 1

1-800-322-4853