



# NitroPro Mini Beverage Dispenser

Specification Sheet



## Features

### **Nitro Infusion Technology**

No need to source nitrogen or purchase extra equipment with our all-in-one solution

### **Bag-In-Box Technology**

Minimize prep time and maximize shelf life using hermetically sealed bags

### **Narrow Footprint**

Conserves counter space

### **LED Illuminated Merchandiser**

Easy to change graphics without tools or maintenance

### **Dual Tap Design**

Serves nitro-infused and still product from the same dispenser

### **Programmed Post-Mix Ratios**

Save time and ensure beverage accuracy serving consistent product every time

### **Easy to Remove Tap Handles**

Replaceable tap handles to align with your brand

### **Frost-Free Refrigeration**

Serves consistent cold product



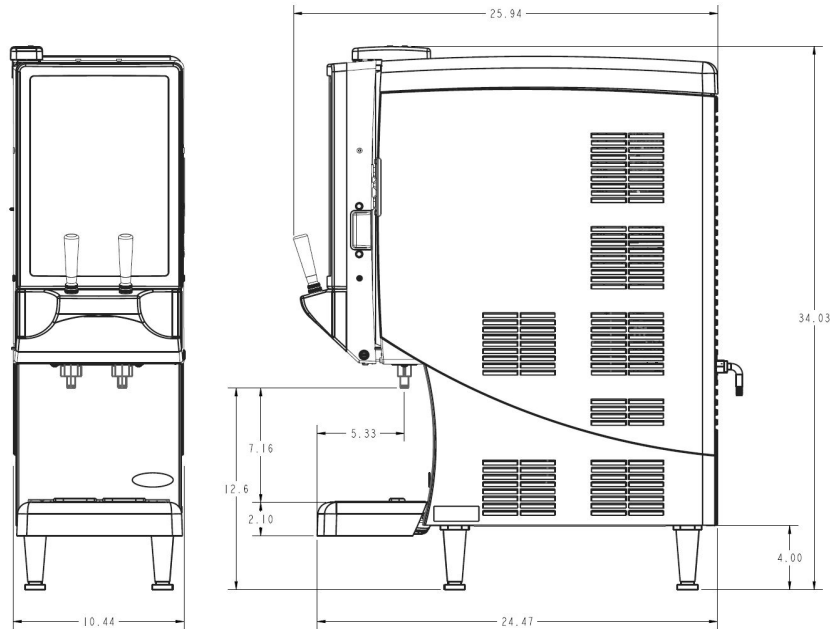
**MARMON**  
Foodservice  
Technologies

A BERKSHIRE HATHAWAY COMPANY



# NitroPro Mini Beverage Dispenser

Specification Sheet



## Technical Specifications

<b>Category</b>	Refrigerated Nitro Dispenser
<b>Refrigeration</b>	Hermetically sealed system, R290 refrigerant (52g)
<b>Ice Bank Size</b>	6-8 lbs
<b>Shipping Dimensions</b>	29.5"L x 17"W x 40"H (74.9 cm x 43.2 cm x 101.6 cm)
<b>Weight</b>	140 lbs (63.5 kg)
<b>Recommended Clearance</b>	Back: 4" Top: 12" Sides: 4"
<b>Ambiant Operating Temperatures</b>	40°F to 100°F (4.4° C to 37.8°C)
<b>Bag in Box Connector</b>	Scholle 1910L
<b>Merchandiser Graphic Size</b>	Entire Area: 8.763"x 12.927" Visible Area: 7.949"x 12.051"

<b>Tap Handle Thread Size</b>	3/8" - 16
<b>Water Connection</b>	3/8" SAE male flare fitting on dispenser
<b>Water Supply Requirements</b>	Maximum Dynamic Pressure: 90psi (6.2 bar) Minimum Dynamic Pressure: 35psi (2.4 bar)
<b>Programmable Post-Mix Ratio</b>	3:1, 4:1, 5:1, 7:1. Micro adjustments available
<b>Required Outlet Quantity</b>	1-15 amp outlet for dispenser
<b>Flow Rate</b>	Finished beverage pour rate 1-1.2oz/per second
<b>Agency Listing</b>	

Model Number	Description
721Q26434CNB	NitroPro Mini Counter Top Dispenser, R290, 115V/60Hz/5.0 Amps
620068154	Optional 90psi Water Booster Pump 115V/60Hz
629097835	Annual Preventative Maintenance Kit
629097834	Replacement Nozzle, Mixing Cap, and O-ring Kit
620067410	Product Delivery Hose Assembly (Scholle 1910L)
MOW1-CB12C	Single head 0.2 micron water filter. 20,000 at 1.7ppm

To learn more and see **NitroPro Mini** in action, visit [cornelius.com](http://cornelius.com)