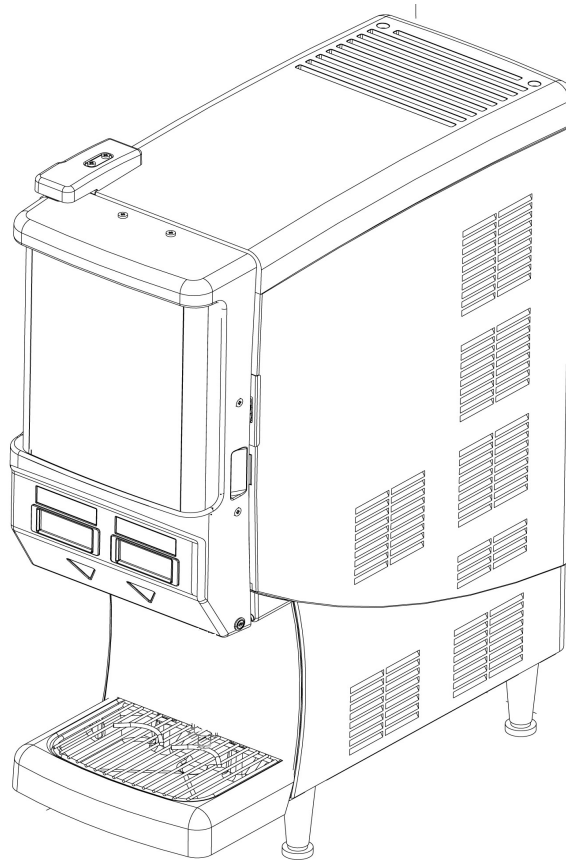




QUEST ELITE 2 FLAVOR (2FL)

ILLUSTRATED PARTS LIST



Release Date: October 16, 2023

Publication Number: 721Q25312IPL

Revision Date: October 16, 2023

Revision: C

Visit the Cornelius web site at www.cornelius.com for all your Literature needs.

The products, technical information, and instructions contained in this manual are subject to change without notice. These instructions are not intended to cover all details or variations of the equipment, nor to provide for every possible contingency in the installation, operation or maintenance of this equipment. This manual assumes that the person(s) working on the equipment have been trained and are skilled in working with electrical, plumbing, pneumatic, and mechanical equipment. It is assumed that appropriate safety precautions are taken and that all local safety and construction requirements are being met, in addition to the information contained in this manual.

This Product is warranted only as provided in Cornelius' Commercial Warranty applicable to this Product and is subject to all of the restrictions and limitations contained in the Commercial Warranty.

Cornelius will not be responsible for any repair, replacement or other service required by or loss or damage resulting from any of the following occurrences, including but not limited to, (1) other than normal and proper use and normal service conditions with respect to the Product, (2) improper voltage, (3) inadequate wiring, (4) abuse, (5) accident, (6) alteration, (7) misuse, (8) neglect, (9) unauthorized repair or the failure to utilize suitably qualified and trained persons to perform service and/or repair of the Product, (10) improper cleaning, (11) failure to follow installation, operating, cleaning or maintenance instructions, (12) use of "non-authorized" parts (i.e., parts that are not 100% compatible with the Product) which use voids the entire warranty, (13) Product parts in contact with water or the product dispensed which are adversely impacted by changes in liquid scale or chemical composition.

Contact Information:

To inquire about current revisions of this and other documentation or for assistance with any Cornelius product contact:

www.cornelius.com
800-238-3600

Trademarks and Copyrights:

This document contains proprietary information and it may not be reproduced in any way without permission from Cornelius.

This document contains the original instructions for the unit described.

MARMON FOODSERVICE TECHNOLOGIES
355 KEHOE BLVD
CAROLSTREAM IL
TEL:+1-800-238-3600
Printed in U.S.A.

TABLE OF CONTENTS

Quest Elite Units1

2000 Final Assembly2

2000 Door Assembly Reference (Pushbutton & Portion Control)3

Cabinet Assembly Reference.....4

Refrigeration Frame Assembly5

Platform Assembly Non Flush Non Soldout QST7

Platform Assembly SLJ Flush9

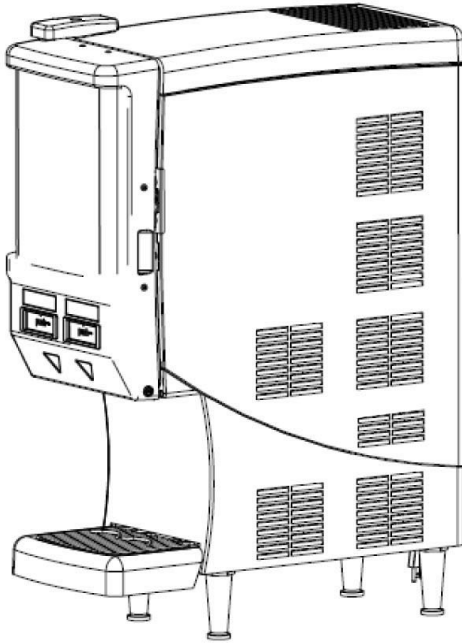
Platform Assembly QLT11

Pump Assembly13

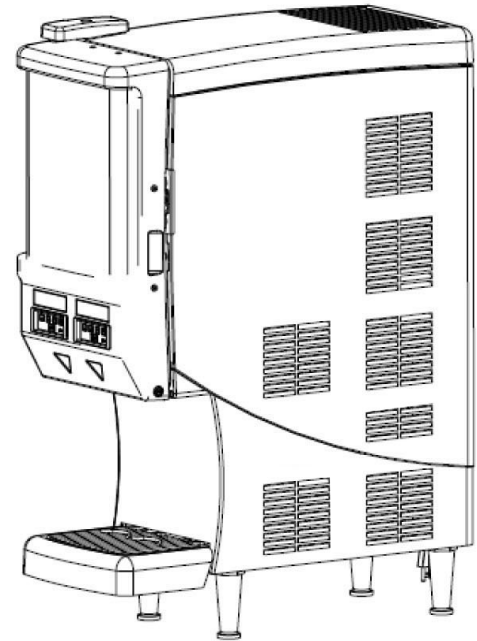
Generic Bottle Assembly14

Recommended Spare Parts Based on 10 Units15

QUEST ELITE UNITS



Unit with Pushbuttons



Unit with Portion Control

Figure 1.

Table 1. Top Quest Assembly

Part No.	Description
721Q12101DO	QST R290, SLJ FLUSH, 2FL, 120/60, PB ILLUMINATED DOLE.
721Q25312KO2	QSTE QLT 2FL 230/50 PC ILLUMINATED ME
721Q24312KO2	QSTE QLT 2FL 220/60 PC ILLUMINATED
721Q02101FN2	QSTE R290 SLJ NON FLUSH 2FL 115/60
721Q12101SW1	QSTE R290 SLJ FLUSH 2FL 115/60 P, B ILLUM SPEEDWAY
721Q02101JU2	QSTE R290 SLJ NON FLUSH 2FL PB ILLUMINATED
721Q12111JU1	QSTE R290 SLJ FLUSH 2 FL 115/60 PC ILLUMINATED
721Q25111JU1	QSTE SLJ FLUSH 2FL 230/50 PB ILLUMINATED
721Q25112JU1	QSTE SLJ FLUSH 2FL 230/50 PC ILLUMINATED
721Q25312JU1	QSTE QLT 2FL 230/50 PC ILLUMINATED

FINAL ASSEMBLY

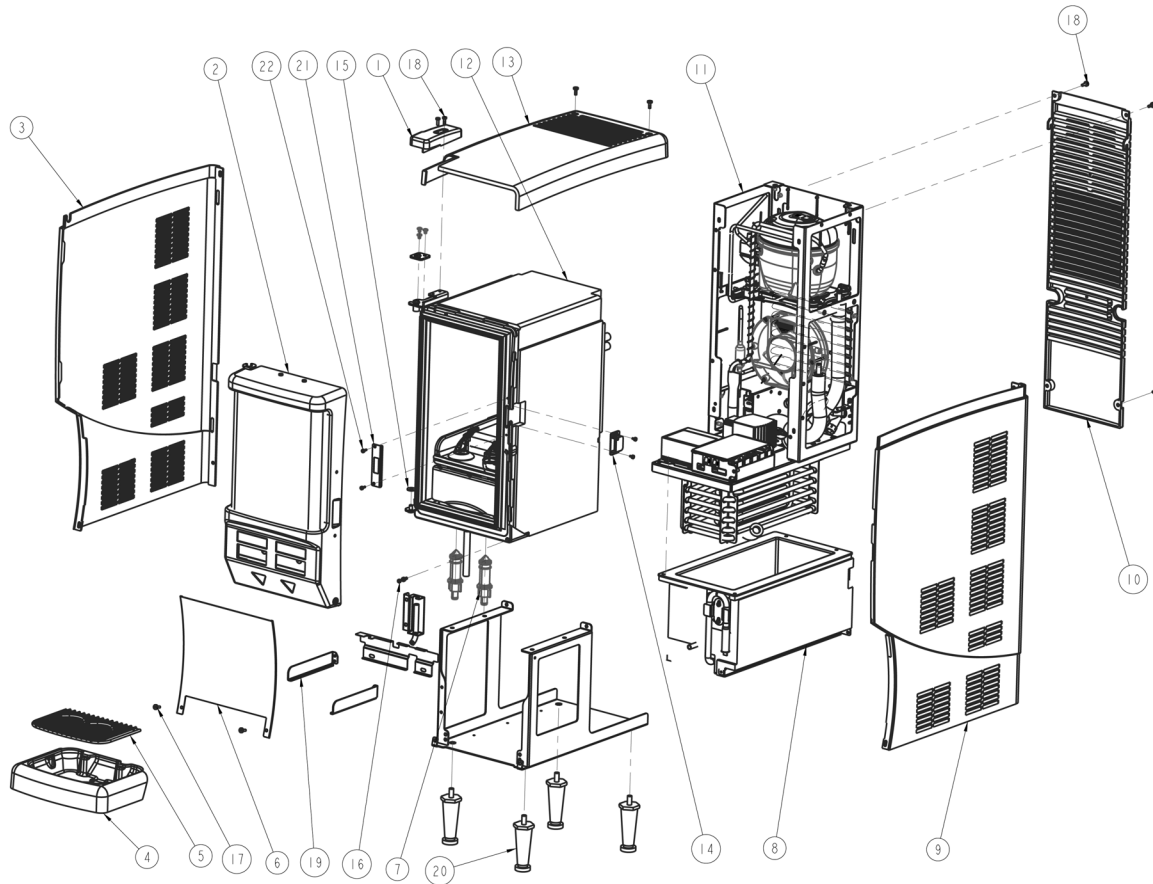


Figure 2.

Table 2. Final Assembly

Item	Part No.	Description
1	620047969	Hinge Top Cover, Quest Elite 2/4 FL
2	620067858	Merchndsr Assy QST2 2FL FNG
	620047744	Merchndsr Assy Qst2 2FL
3	620054876	Side Panel LH. Quest Elite 2/4 FL
4	620049855	Drip Tray, Black W/Texture, Quest Elite 2 FL
5	620708562	Cup Rest W/LOC Quest 2 STND 8.1 X
6	620048648	Splash Panel Guard, Quest Elite 2 FL
7	620715835	Nozzle Static Mixer ASMB
8	620049092	Tank Foamed Qste Finish 2FL
9	620054875	Side Panel RH. Quest Elite 2/4 FL
10	620050923	Rear Panel, Quest 2 FL

Table 2. Final Assembly

Item	Part No.	Description
13	620048898	Top Panel W/Cut, QST Elite 2 FL
14	720704004	Door Catch, Female 2FL / 4FL
15	620049566	Washer- Hinge Bottom QST Elite 2/4FL
16	620047782	Pin Latch Cabinet Qst2 2FL/4FL
17	0704105	Screw MA #8-32 TRPH 16 SS
18	70178	Screw MA #8-32 TRPH 16 SS
19	620047429	Brkt, Drip Tray, Right, QST 2/4 FL
	620047428	Brkt, Drip Tray, Left, QST 2/4 FL
20	37958	Leg Level 4"
21	720201440	Brkt, Catch Strike Plate QST-NT
22	720701405	Screw TB D6-18 PAPH 12 SS

DOOR ASSEMBLY REFERENCE (PUSHBUTTON & PORTION CONTROL)

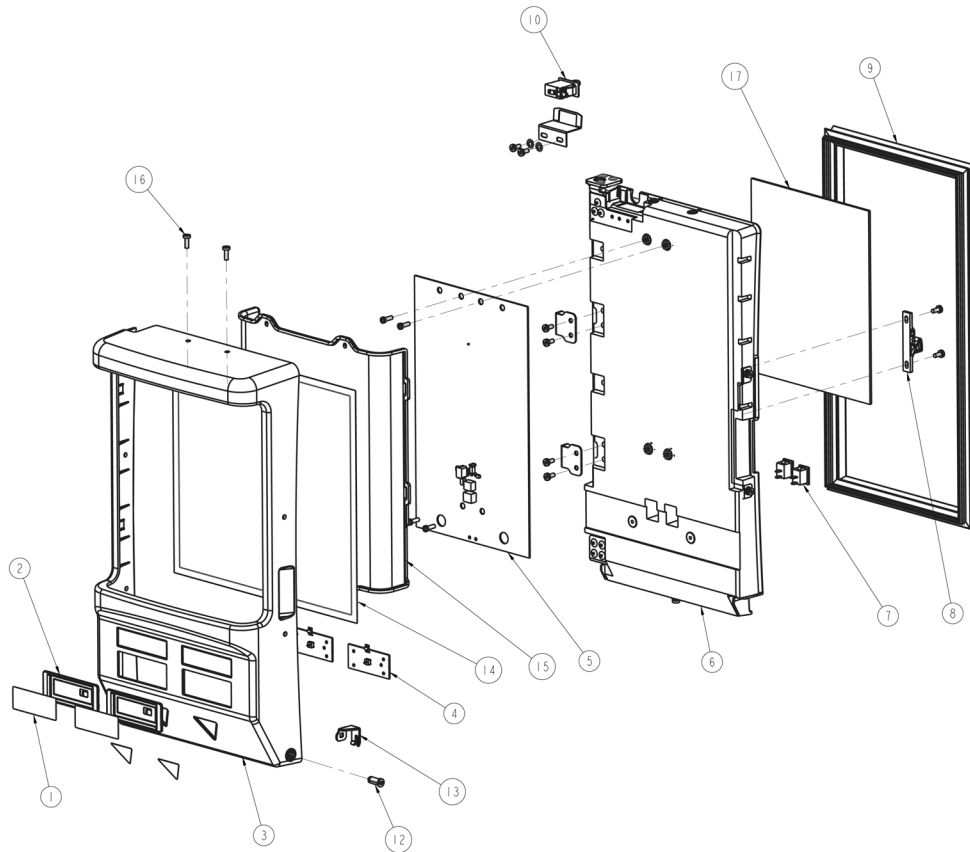


Figure 3.

Table 3. Door Assembly

Item	Part No.	Description
1	620047753	Overlay Assembly, Pushbutton Control, Quest
	620047750	Overlay Assembly, Portion Control, Quest Elite, 2/4
2	620047751	Bezel, Pushbutton, Silver, Quest Elite, 2/4 FL
	620047968	Bezel, Portion Control, Silver, QSTE, 2/4FL
3	620047745	Merchandiser, Quest Elite, 2FL
	620067857	Merchndsr QUEST ELITE 2FL LV
4	45018001	Board Pushbutton SLJ
	49280001	Board Portion Control SLJ
5	620047679-100	LED Quest PCBA Backlight Family
6	620047754	Assembly, Door Foamed, Quest Elite, 2FL
7	620051427	Switch Rocker Unmarkedv Qste 2/4FL
8	720704005	Latch Door Male
9	620047759	Seal, Door, Quest Elite, 2FL
10	740002199	Switch Cutout 10A MOM F6900A0
11	620049097	Label Triangle Nozzle Indicator Mirror Finish QST2 2/4FL
12	620047747	Kit, Lock & Key Door Quest Elite 2FL/4FL

Table 3. Door Assembly

Item	Part No.	Description
13	620047748	Latch Mounting Lock
14	620067962	Lens Merchndsr QST2 2FL FNG
	620047761	Graphic, Generic, Quest Elite, 2FL
15	620047760	Lens, Quest Elite, 2FL
16	70747	Screw MA 8-32 TRPH 12 SS
	620052150	Label Daily Flush & Cleaning Quest Elite Qt
	620052151	Label Daily Flush & Cleaning SLJ Flush
17	620052153	Label Daily Cleaning Qste Non Flush
	629097007	Kit 1, Flavor Strip Quest Elite, 2/4FL (Not shown)
*	629097008	Kit 2, Flavor Strip Quest Elite, 2/4FL (Not shown)
*	729011218	Kit, Conversion PB to PC, QSTE 2FL(Not Shown)
	729011219	Kit, Conversion PC to PB, QSTE 2FL (Not Shown)
*	620050925	Label Rocker Switch Details, Qste,230v, 2/4fl (Not Shown)
*	620066441	Handle, Pull Pocket (used on FN2 Models only). (Not Shown)

CABINET ASSEMBLY REFERENCE

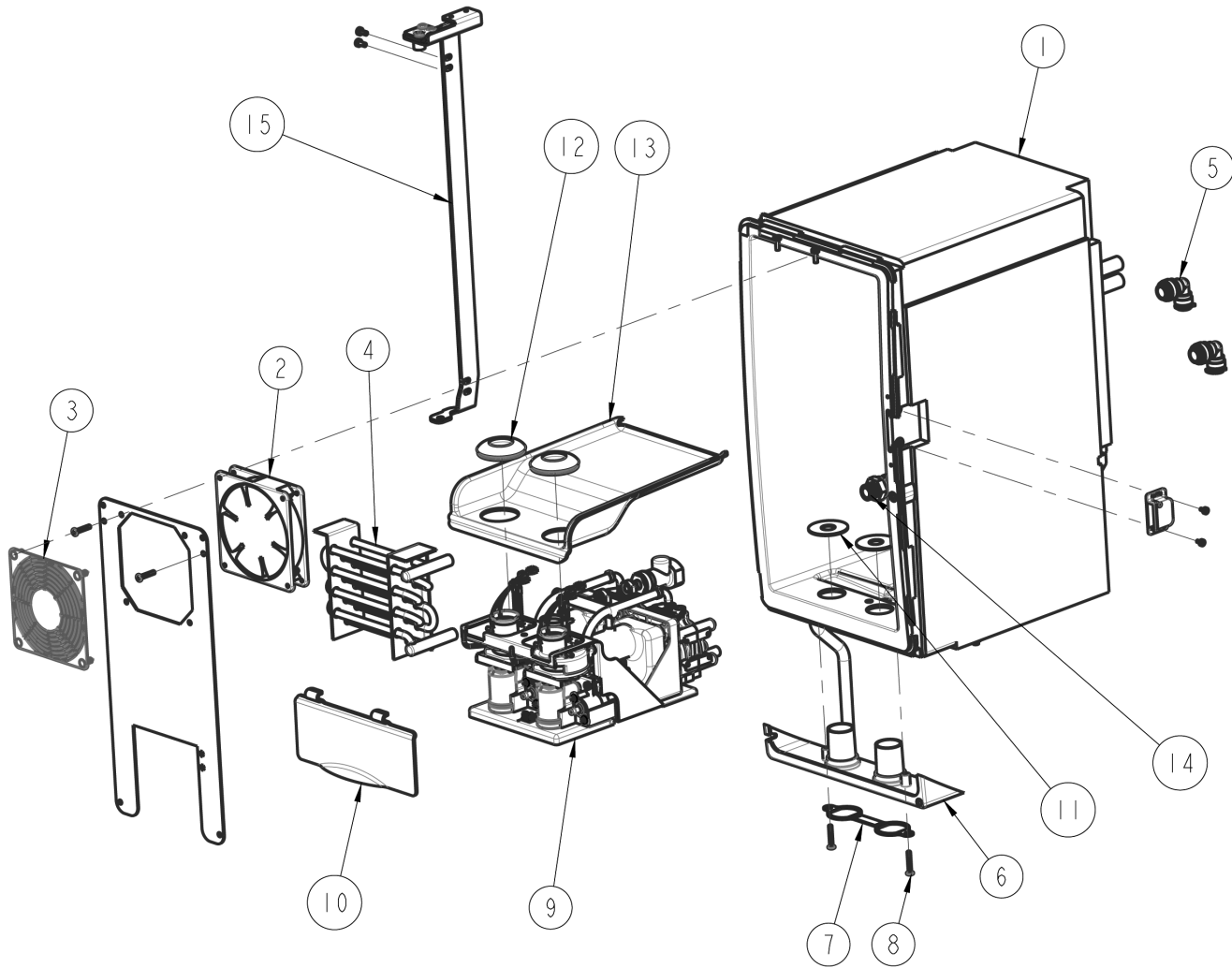


Figure 4.

Table 4. Cabinet Assembly

Item	Part No.	Description
1	620049842	Cabinet Assy QST Elite 2FL Modified Drain
2	620073748	Fan Motor, Cabinet 115V/60HZ
	620073749	Fan Motor, Cabinet 230V/50HZ
3	620047512	Guard, Fan EBM 9000 & 4000
4	720506202	Cabinet Heat Exchanger, Quest Elite, 2FL
5	720509206	Fitting Push, Union Elbow, 3/8"X 1/2" LG
6	620047970	Trim Bottom W/Insert, Quest Elite, 2FL
7	720201479	Bracket Dual Nozzle Block Quest
8	07040007	Screw Machine, #8-32 PAPH 28SS

Table 4. Cabinet Assembly

Item	Part No.	Description
9	720401801X	Platform Assembly, Quest 4 SLJ Flush
	620073301	Platform Assembly SLJ Flush
	620073691	Platform Assy, NO SOLD OUT, QR290
10	720532102	Platform Door, Quest 2FL
11	S3354	Gasket Sealing Bowl Spout
12	720703301	Grommet, Seal Platform Cover Quest
13	720201510	Shelf, Cabinet, Quest 2FL
14	720200206	Fitg Insrt 3/8"NPT PP
15	620047775	Brkt Hinge QST2 2FL/4FL

REFRIGERATION FRAME ASSEMBLY

P/N 620072345

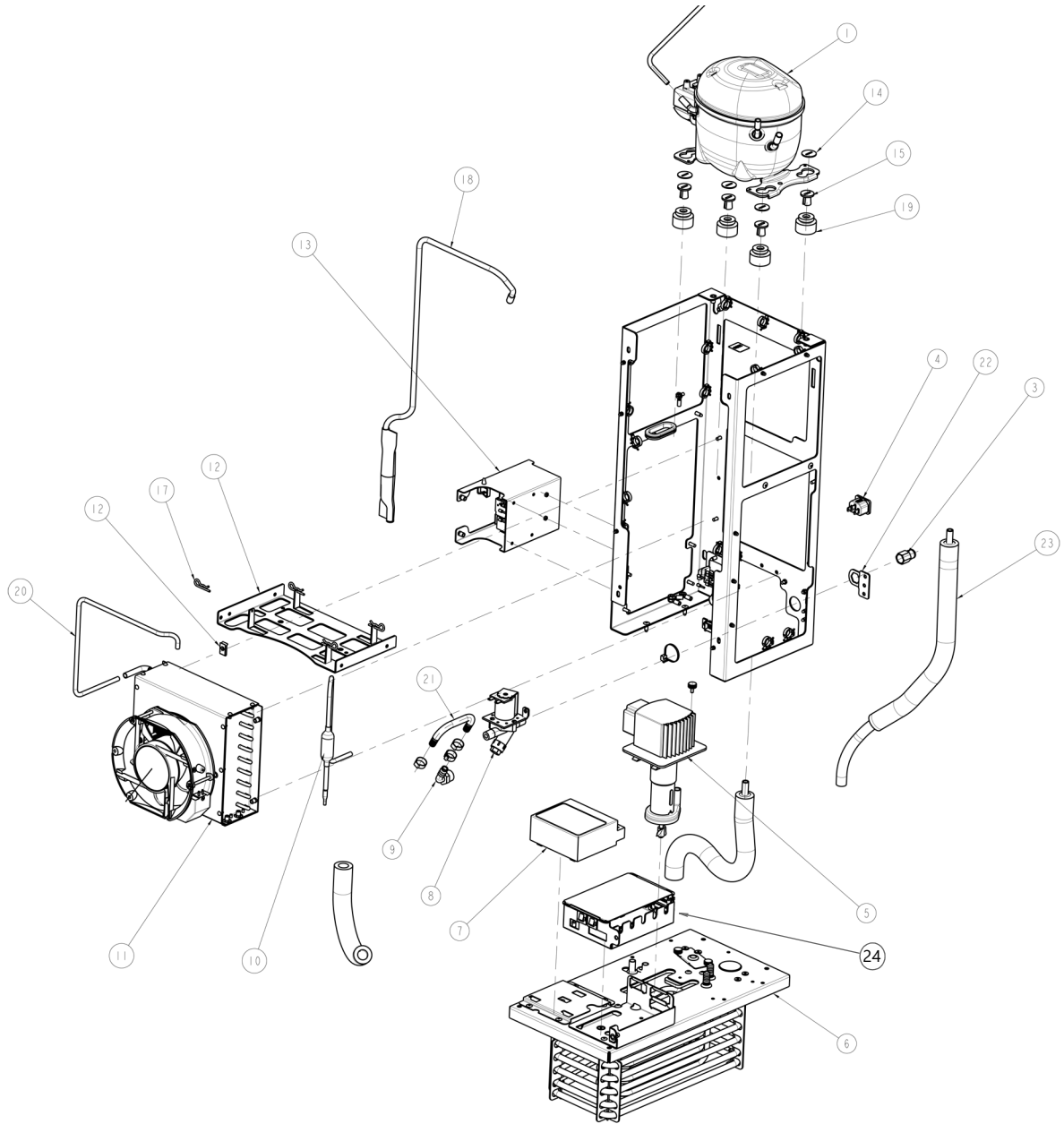


Figure 5.

Table 5. Refrigeration Frame Assembly

Item	Part No.	Description
1	620074101	Kit Comp 115V/60HZ QST 2FL, R290
	629098024	Kit Comp 230V/50HZ QST 2FL, R290
3	620048659	Adapter, 1/4" FPT x 3/8" MF
4	620049959- 001	Cord Power Stra8ight IEC60320-C13 Family
	620049959- 003	Cord, Service 230V
	620049959- 007	Cord Serv 200V 60 HZ IEC 60906-1
	620049959- 008	Cord Pwr ME Version QSTE 2/4FL
	620049959- 009	Cord PWR Qste 2/4fl Cei-16/Vii Italian Plug
5	620042742	Agitator Motor Assembly 115V
	620042741	Agitator Motor Assembly 230V/50
7	620071645	Control Ice Bank Global 120/240V SMPS
8	740001674	Valve Water W/Solenoid, Quest Elite, ? 2/4FL
9	620049857	Reducer, Elbow, 1/4" FPT x 3/8" Barb
10	620072238	2 Cubic Inches, Filter Dryer
11	620073088	Condenser Fan Motor 115V 60Hz
	620073721	Condenser Fan Motor 230V 50/60Hz
12	6775	Clip Tin CB14-832-4
13	620072316	27VDC PSU
14	9649	Washer Comp Mount
15	317781000	Bushing, Split
17	08474	Clip Spring
18	620073083	Suction HX Assembly, Quest Elite 2FL
19	620049560	Grommet Ae Comp QST2
21	49034	Tube Tygon 3/8ID X 5/8
22	620054202	Brkt Solenoid Quest Elite 2/4FL
24	620072324	Box, Electric Assy. QUEST

PLATFORM ASSEMBLY NON FLUSH NON SOLD-OUT QST

P/N 620073302

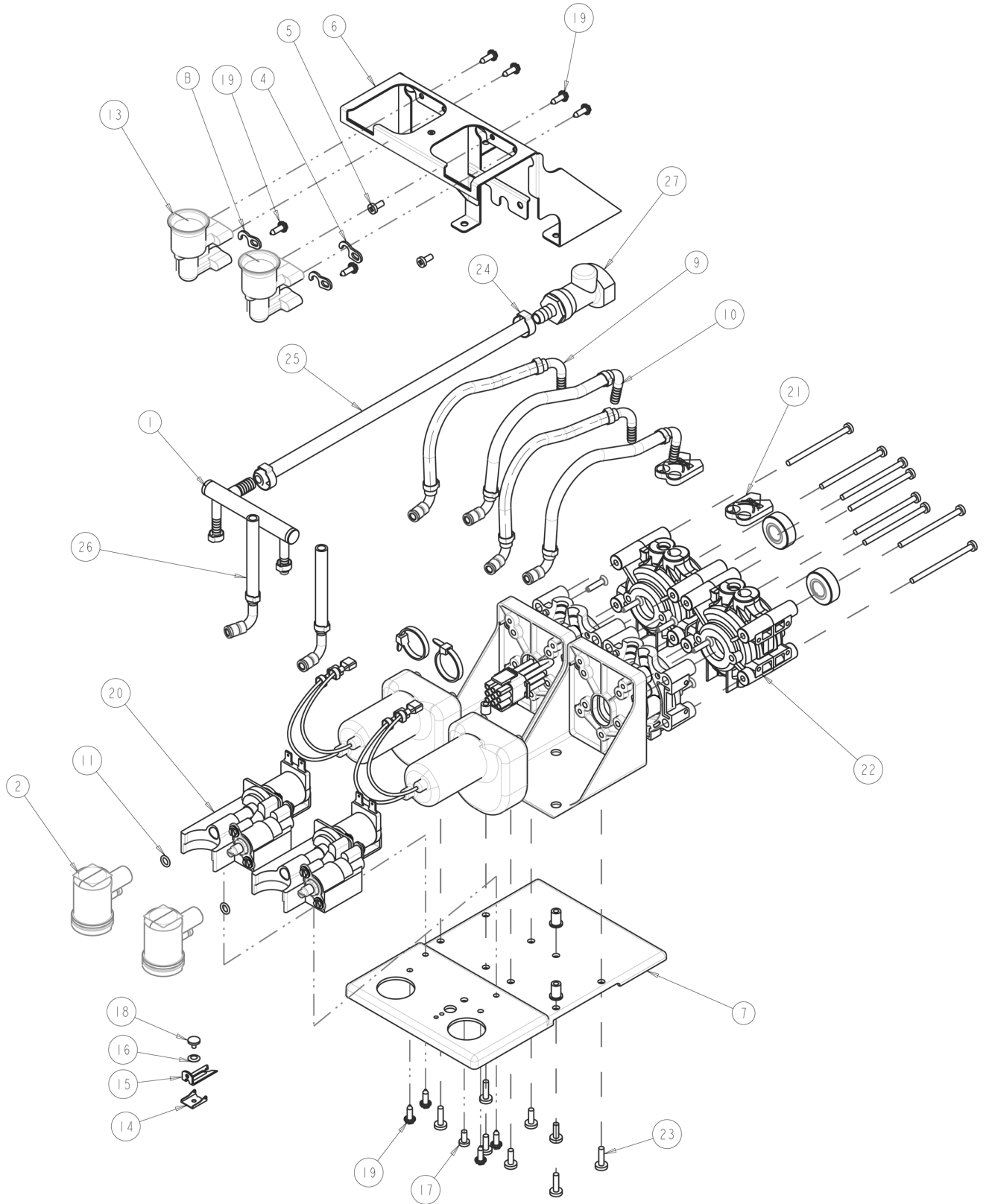


Figure 6.

Table 6. Platform Assy Non Flush Non Sold-Out QST

Item	Part No.	Description
1	720509314	Manifold Water In QST
2	720500033	Chamber Mixing QST4
4	724558601	Clip Tube Retainer QST
5	70171	Screw MA 08-32 TRPH 12 SS
6	720201433	Brkt Asy Platform SLJ QST-NT
7	720202704	Base Platform SLJ QST IHOP
9	720509103	Tube Asy Concentrate Out QST
10		Tube Asy Concentrate In QST
11	317015000	O-RING 239ID 070CS 70DU EY-P
13	620046159	Adapter Caddy No Flush QST
14	45046	Latch #2 Medium SS
15	45047	Guide Latch #2 Med
16	45048	Washer Latch #2 Med
17	0704105	Screw MA 08-32 TRPH 16 SS
20	45508200	Valve Block Asy QLT Generic
21	48195006	Clamp Hose .470ID
22	45185X	Pump & Motor Asy 3-Roller
23	0704107	Screw #8-32 X 5/8 THMS SS
25	49034	Tube TYGON 3/8 IDX 5/8
26	720509104	Tube Asy Water Valve Inlet
27	720720498	Coupling In-line 3/8 ID HC35
*	620073390	No-Sold-Out Harness

PLATFORM ASSEMBLY SLJ FLUSH
P/N 620073301

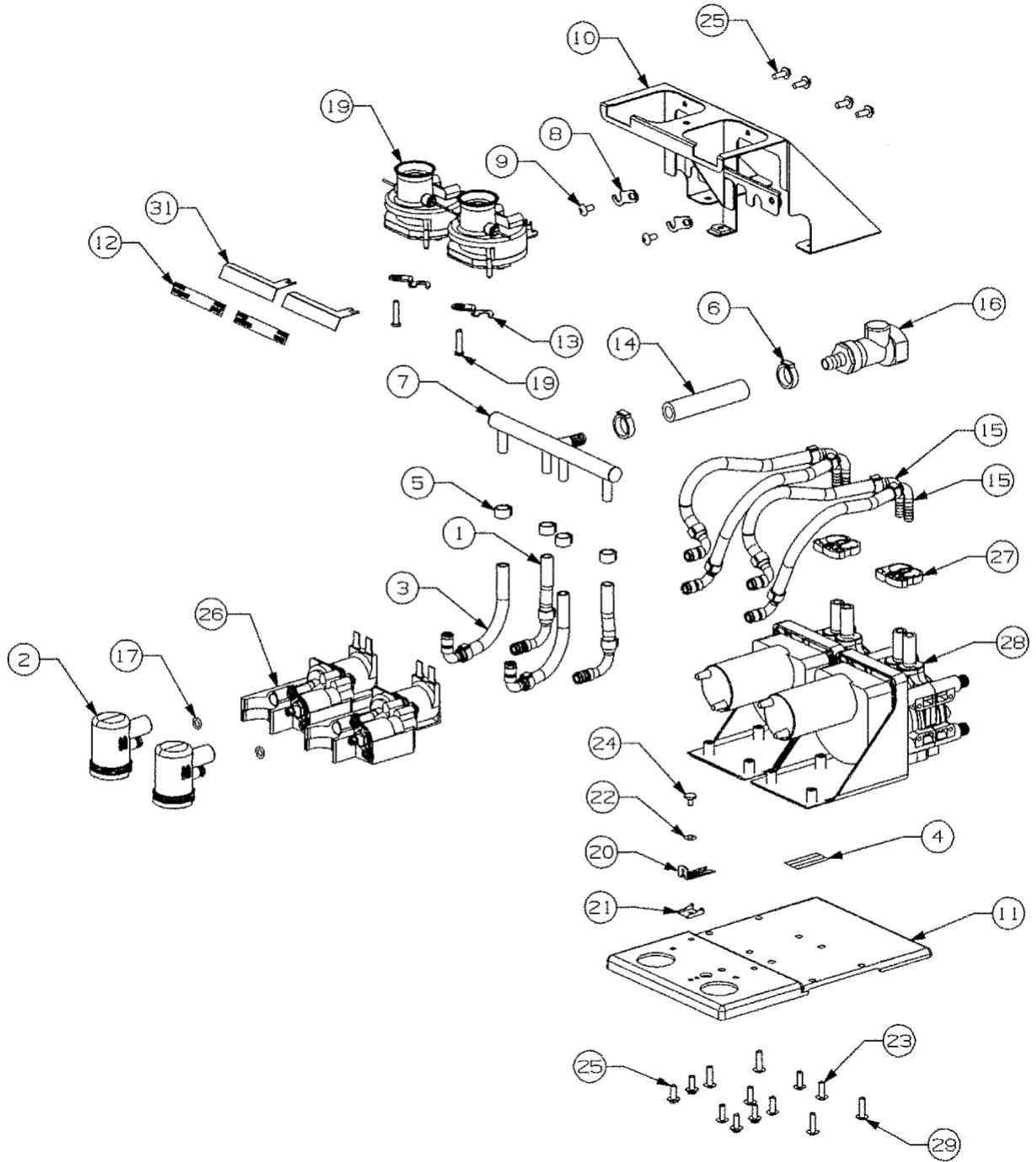


Figure 7.

Table 7. Platform Assembly SLJ Flush

Item	Part No.	Description
1	720509104	Tube Assembly Water Valve Inlet
2	720500033	Chamber Mixing QST4
3	720509105	Tube Assembly Water Rinse Inlet
5	309854000	Clamp Oetr 413Open STPLS #10.5
6	30985200	Clamp Oetr 669 Open STPLS #17.0
7	720509304	Manifold Water SS Quest 4
8	724558601	Clip Tube Retainer QST
9	70171	Screw Machine 8-32 TRPH12SS
10	720201433	Bracket Assembly Platform SLJ QST IHOP
11	720202704	Base Platform SLJ QST IHOP
12	7245072	Label Dispense/Flush QST
13	720704207	Washer Hold Down Hook RH Turn QST
14	49034	Tube TYGON 3/8 IDX 5/8
15	720509103	Tube Assembly Suction Quest
16	720720498	Coupling In-line 3/8 ID HC35
17	99010	O-ring 239 ID 070CS 60DU BU-N
18	45026X	Adapter Bottle Asy
19	45060001	Adapter Bottle Assembly SL DIS P
20	45046	Latch #2 Medium SS
21	45047	Guide Latch #2 MED
22	45048	Washer Latch #2 MED
23	0704105	Screw MA 08-32 TRPH 16 SS
24	720800077	Rivet Platform Base QST
25	49478001	Screw Tc 08-18 Hxsl 14 Ss 25
26	45508200	Valve Block AS QLT Generic
27	48195006	Clamp Hose.470 ID
28	45185X	Pump & Motor Assembly 3-Roller
29	0704107	Screw #8-30 2X 5/8 THMS SS
30	720501706	Cap Plug.093 ID X 50 Long 1/2 inch
31	720201611	Plate Support Bottle Adapter QST/QLT

PLATFORM QLT
P/N 720522100X

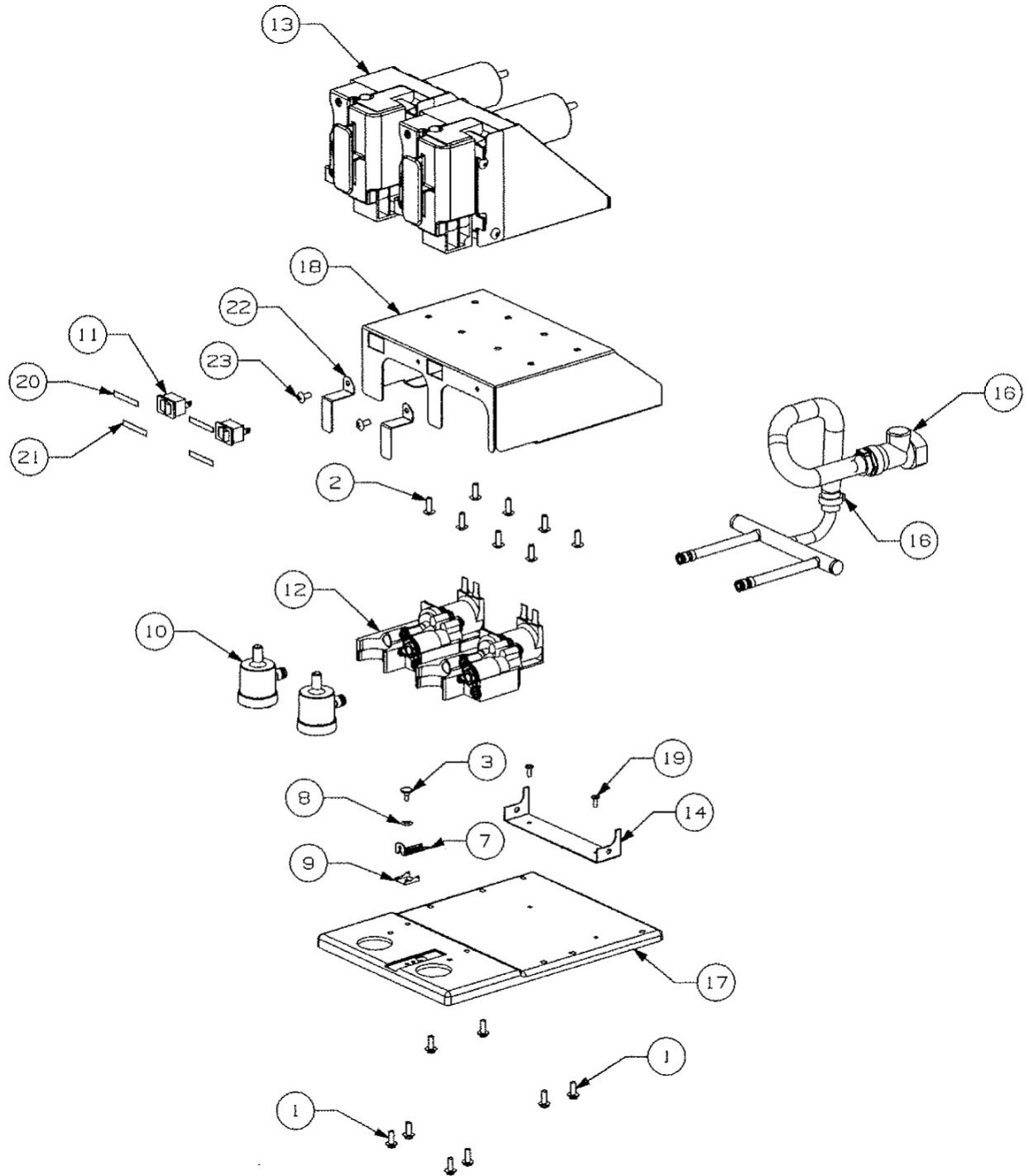


Figure 8.

Table 8. Platform Assembly QLT

Item	Part No.	Description
1	49478001	Screw Tc 08-18 Hxsl 14 SS 25
2	0704105	Screw MA #8-32 TRPH 16SS
3	720701001	Rivet Platform Base Quest
4	11877	Jumper Assembly Read Flush QLT 180(Not Shown)
5	11887	Jumper Assembly Red Flush Switch AL(Not Shown)
6	11888	Harness Assembly Platform SLJT1000-2(Not Shown)
7	45046	Latch #2 Medium SS
8	45047	Guide Latch #2 MED
9	45048	Washer Latch #2 MED
10	45364001X	Chamber Mixing Assembly QLT 180 Day
11	620051427	Switch Rocker Sealed
12	45508200X	Valve Block Assembly QLT Generic
13	45514100X	Pump Assembly QLT 180
14	45542	Manifold Bracket QLT 180 2 FLAV
15	55145	Wrap, Tye 5 1/2 inch Long (Not Shown)
16	720509312	Manifold Assembly Water QLT/QST2
17	720520301	Base Platform QLT QST2
18	720522011	Bracket Support Platform QST2
20	7245541	Label Run Flush QLT 180
21	7245821	Label Clean
23	07115001	Screw TF 8-32 TRPH 12SS

PUMP ASSEMBLY
P/N 45185X

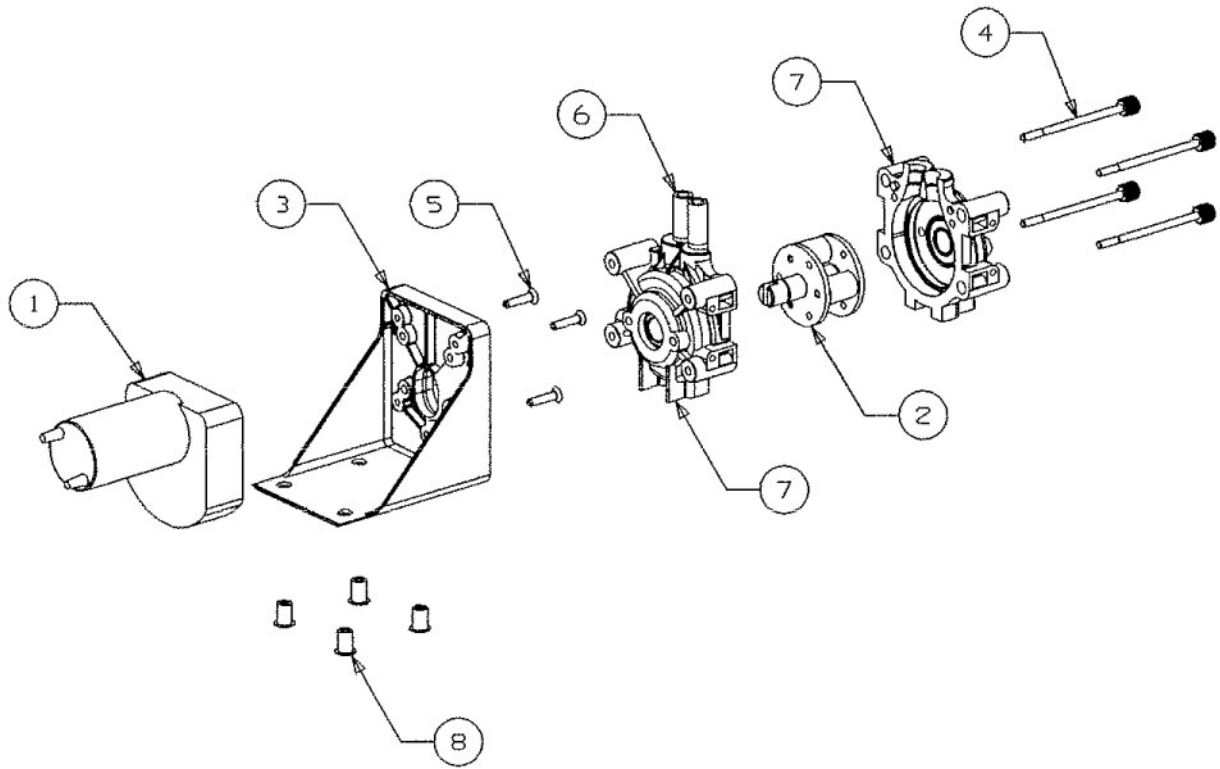


Figure 9.

Table 9. Pump Assembly

Item	Part No.	Description
1	45016001	Pump Gear Motor
2	45728001	Rotor Assembly (Thick Wall)
3	45050	Pump & Motor Mounting Block
4	70555	Screw MA 08-32 TRPH 84 SS
5	0702905	Screw #8X3/4" FHMS
6	45098	Pump Tubing Kit (Pump Tubing, Clamps & Instructions)
*	45078	Pump Assembly (Items 2 & 7)
7	45727	Pump Body, Front/Rear
*	70730	Nut Well #8-32
*	0704107	Screw #8-32 x 5/8 THMS SS

GENERIC BOTTLE ASSEMBLY

P/N 720401107

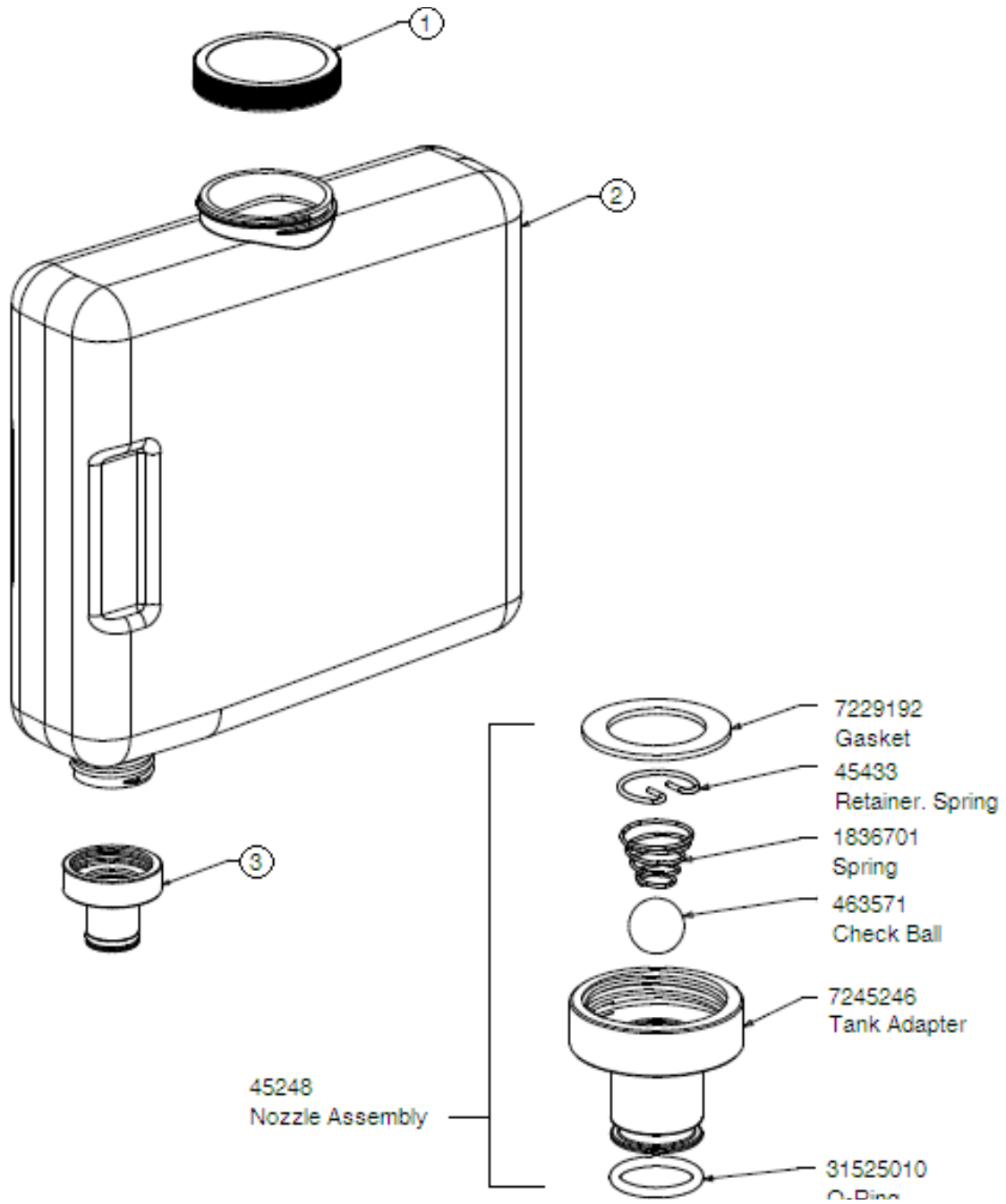


Figure 10.

Table 10. Generic Bottle Assembly

Item	Part No.	Description
1	720202010	Cap 400 Series QST
2	720401106	Bottle Refillable QST

Table 10. Generic Bottle Assembly

Item	Part No.	Description
3	45248	Adapter Assembly, Bottle



RECOMMENDED SPARE PARTS BASED ON 10 UNITS

Part No.	Description	Qty
620073088	Condenser Fan Motor 115V 60Hz	1
620073721	Condenser Fan Motor 230V 50/60Hz	1
18367	Spring, Coil S/S - water solenoid	2
620072316	Power Supply 27V RPS 120S	1
45098	Pump tubing kit	4
45432	Inner door switch	1
7245699	Flow control / bonnet assembly	1
620710107	Rubber gasket	1
19695001	Guide, water solenoid	1
31525037	O-ring - dispensing nozzle	1
45016001	Pump gear motor	2
45091001	Main water solenoid valve	1
45728001	Pump rotor assembly	1
48520001	Coil, 24VDC, valve block	1
48979103	Spool & sleeve Assy w/ o-ring	2
59328001	Fuse, 6.25 amp	1
620071645	Global Ice Bank Control 120/230V	1
720500014	Drip tray grill	1
720500104	Drip tray grill	1
720500710	Door gasket	1
720502800	Agitator motor	1
620073748	Fan Motor, Cabinet 115V/60HZ	2
620073749	Fan Motor, Cabinet 230V/50HZ	2
720508801	Push button control board	1
720508802	Portion control board	2
702511606	Ballast Board	1
720703502	Foam gasket , lower door	1
620073089	Cond Quest Elite Pro R290	1
548000278	Board Door Breakout Control	1
620072238	Dryer R290 2.36G 1/4ODF	1
620074101	Compressor Kit Assembly Quest R290 2FL	1
620072324	System Controls E-Box QST R230	1
620073390	Harn Motor and Valve Ctrl-NO SOLD	1
620049320	Harn Combined Compressor Condenser	1
620072330	Harn E-Box Power Input and Water	1
620072331	Harn E-Box to Cabinet	1
620072334	Harn Merchandiser Power	1
620072335	Harn Door On/Off	1
620072336	Harn P2P Dispense Keypad	1
620072337	Harn Pump Deck SOLD OUT	1
71860290	Armature Solenoid	1
620715835	Nozzle Static Mixer Asm	1
720704005	Latch Door Male	1

