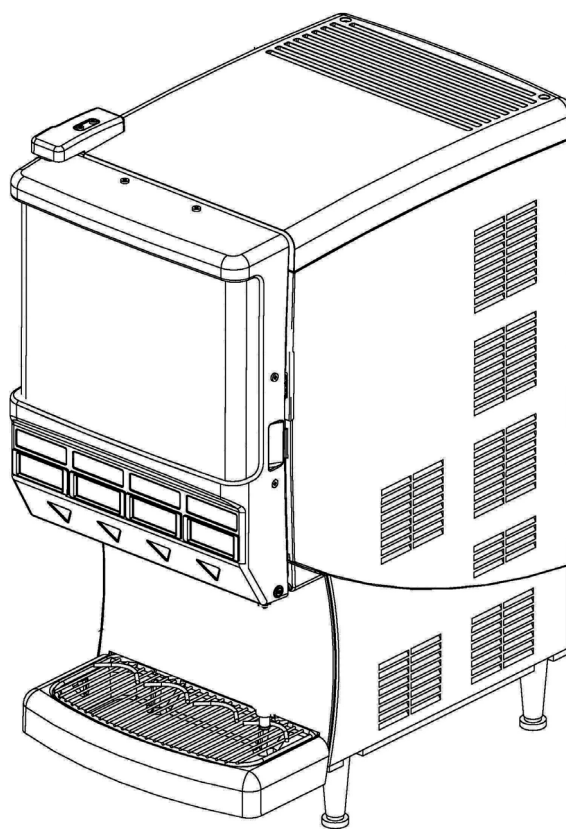




QUEST ELITE 4 FLAVOR (4FL)

ILLUSTRATED PARTS LIST



Release Date: October 16, 2023

Publication Number: 721Q45112IPL

Revision Date: October 16, 2023

Revision: C

Visit the Cornelius web site at www.cornelius.com for all your Literature needs.

The products, technical information, and instructions contained in this manual are subject to change without notice. These instructions are not intended to cover all details or variations of the equipment, nor to provide for every possible contingency in the installation, operation or maintenance of this equipment. This manual assumes that the person(s) working on the equipment have been trained and are skilled in working with electrical, plumbing, pneumatic, and mechanical equipment. It is assumed that appropriate safety precautions are taken and that all local safety and construction requirements are being met, in addition to the information contained in this manual.

This Product is warranted only as provided in Cornelius' Commercial Warrant applicable to this Product and is subject to all of the restrictions and limitations contained in the Commercial Warranty.

Cornelius will not be responsible for any repair, replacement or other service required by or loss or damage resulting from any of the following occurrences, including but not limited to, (1) other than normal and proper use and normal service conditions with respect to the Product, (2) improper voltage, (3) inadequate wiring, (4) abuse, (5) accident, (6) alteration, (7) misuse, (8) neglect, (9) unauthorized repair or the failure to utilize suitably qualified and trained persons to perform service and/or repair of the Product, (10) improper cleaning, (11) failure to follow installation, operating, cleaning or maintenance instructions, (12) use of "non-authorized" parts (i.e., parts that are not 100% compatible with the Product) which use voids the entire warranty, (13) Product parts in contact with water or the product dispensed which are adversely impacted by changes in liquid scale or chemical composition.

Contact Information:

To inquire about current revisions of this and other documentation or for assistance with any Cornelius product contact:

www.cornelius.com

800-238-3600

Trademarks and Copyrights:

This document contains proprietary information and it may not be reproduced in any way without permission from Cornelius.

MARMON FOODSERVICE TECHNOLOGIES

355 KEHOE BLVD

CAROLSTREAM IL

TEL:+1-800-238-3600

Printed in U.S.A.



TABLE OF CONTENTS

Quest Elite Units	1
4FL Final Assembly	2
4000 Door Assembly Reference (Pushbutton & Portion Control)	3
Cabinet Assembly Reference.	4
Refrigeration Frame Assembly	5
Platform Assembly Non Flush Non Soldout QST	7
Platform Assembly SLJ Flush	9
Pump Assembly	11
Generic Bottle Assembly	12
Recommended Spare Parts Based on 10 Units	13

QUEST ELITE UNITS

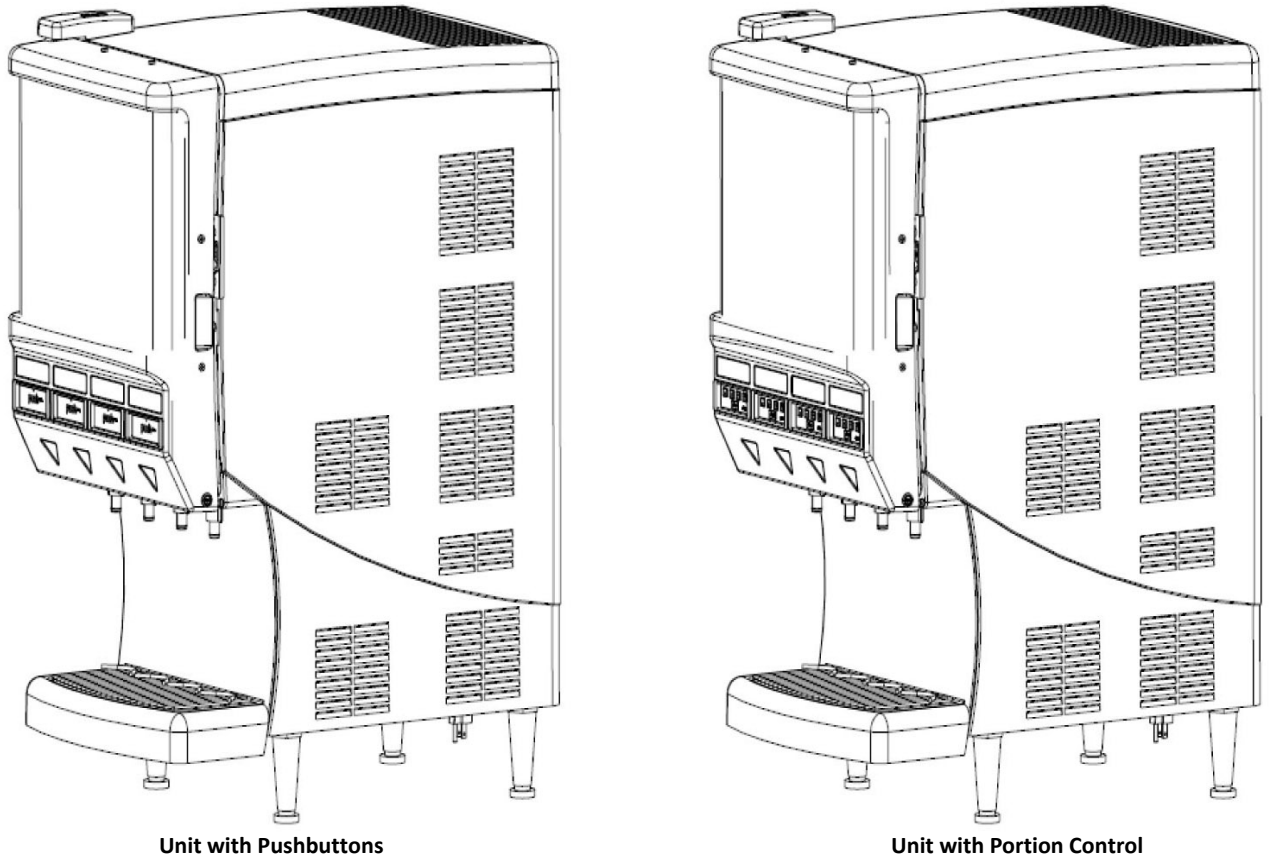


Figure 1.

Table 1. Top Quest Assembly

Part No.	Description
721Q04101FN2	QSTE R290 SLJ NON FLUSH 4FL 115/60
721Q04101JU1	QSTE R290 SLJ NON FLUSH 4FL 115/60 PB ILLUMINATED
721Q04111JU1	QSTE R290 SLJ NON FLUSH 4FL 115/60 PC ILLUMINATED
721Q14101RC	QST-NT R290 4FL PB 120/60 SLJ ILLUMINATED
721Q14101DO	QST R290, SLJ FLUSH, 4FL, 120/60, PB ILLUMINATED
721Q14101JU1	QSTE R290 SLJ FLUSH 4FL 115/60 PB ILLUMINATED
721Q14101GEN	QST-NT R290 4FL PB 120/60 SLJ ILLUMINATED GENERIC
721Q14111IH1	QSTE R290 SLJ FLUSH 4FL 115/60 PC
721Q14111JU1	QSTE R290 SLJ FLUSH 4 FL 115/60 PC ILLUMINATED
721Q04101LM3	QSTE R290 SLJ 4FL 115/60 NON-FLUSH
721Q04101LM1	QSTE R290 SLJ 4FL 115/60 NON-FLUSH PUSHBUTTON ILLUMINATED
721Q45112JU1	QSTE SLJ FLUSH 4FL 23/50 PC ILLUMINATED
721Q45112KO1	QSTE SLJ FLUSH 4FL 220/60 PC ILLUMINATED
721Q45111CS1	QSTE SLJ FLUSH 4FL 220/60 PB ILLUMINATED CRUISE SHIP
721Q04101JU2	QSTE R290 SLJ NON FLUSH 4FL 115/60 ILLUMINATED

4FL FINAL ASSEMBLY

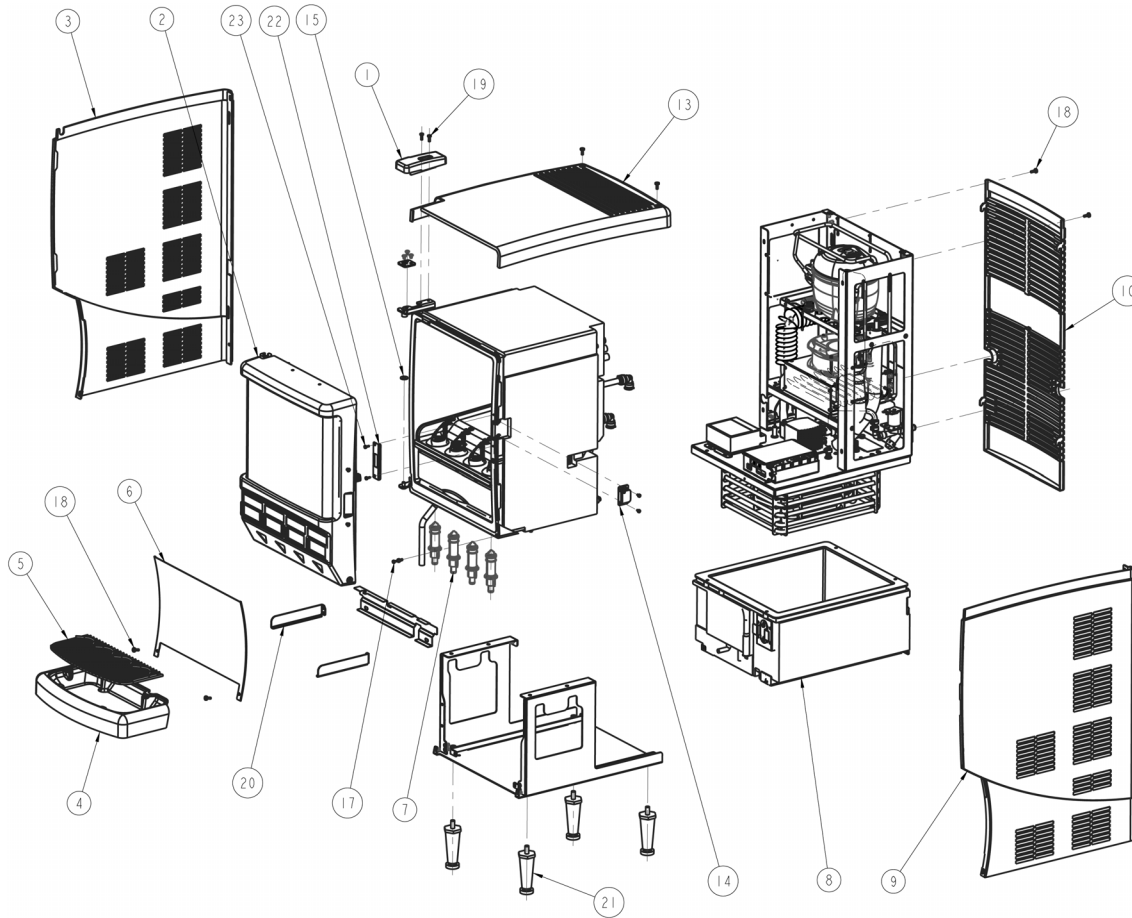


Figure 2.

Table 2. Final Assembly

Item	Part No.	Description
1	620047969	Hinge Top Cover, Quest Elite 2/4 FL
3	620054876	Side Panel LH. Quest Elite 2/4 FL
4	620049856	Drip Tray, Black W/Texture, Quest Elite 4 FL
5	620708563	Cup Rest W/LOC Quest 4 STND 8.1 X
6	620049021	Splash Panel Guard, Quest Elite 4 FL
7	620715835	Nozzle Static Mixer ASMB
8	620049093	Tank Foam Qste Finish 4fl
9	620054875	Side Panel RH. Quest Elite 2/4 FL
10	620050924	Rear Panel, Quest 4 FL
13	620048960	Top Panel W/Cut, QST Elite 4 FL
14	720704004	Door Catch, Female 2 FL / 4 FL
15	620049566	Washer- Hinge Bottom QST Elite 2/4FL
17	620047782	Pin Latch Cabinet QST2 2FL/4FL
18	0704105	Screw MA #8-32 TRPH 16 SS
19	70178	Screw MA #8-32 TRPH 16 SS

Table 2. Final Assembly

Item	Part No.	Description
20	620047429	Brkt, Drip Tray, Right, QST 2/4 FL
	620047428	Brkt, Drip Tray, Left, QST 2/4 FL
21	37958	Leg Level 4"
22	720201440	Brkt, Catch Strike Plate QST-NT
23	720701405	Screw TB D6-18 Paph 12 SS

DOOR ASSEMBLY REFERENCE (PUSHBUTTON & PORTION CONTROL)

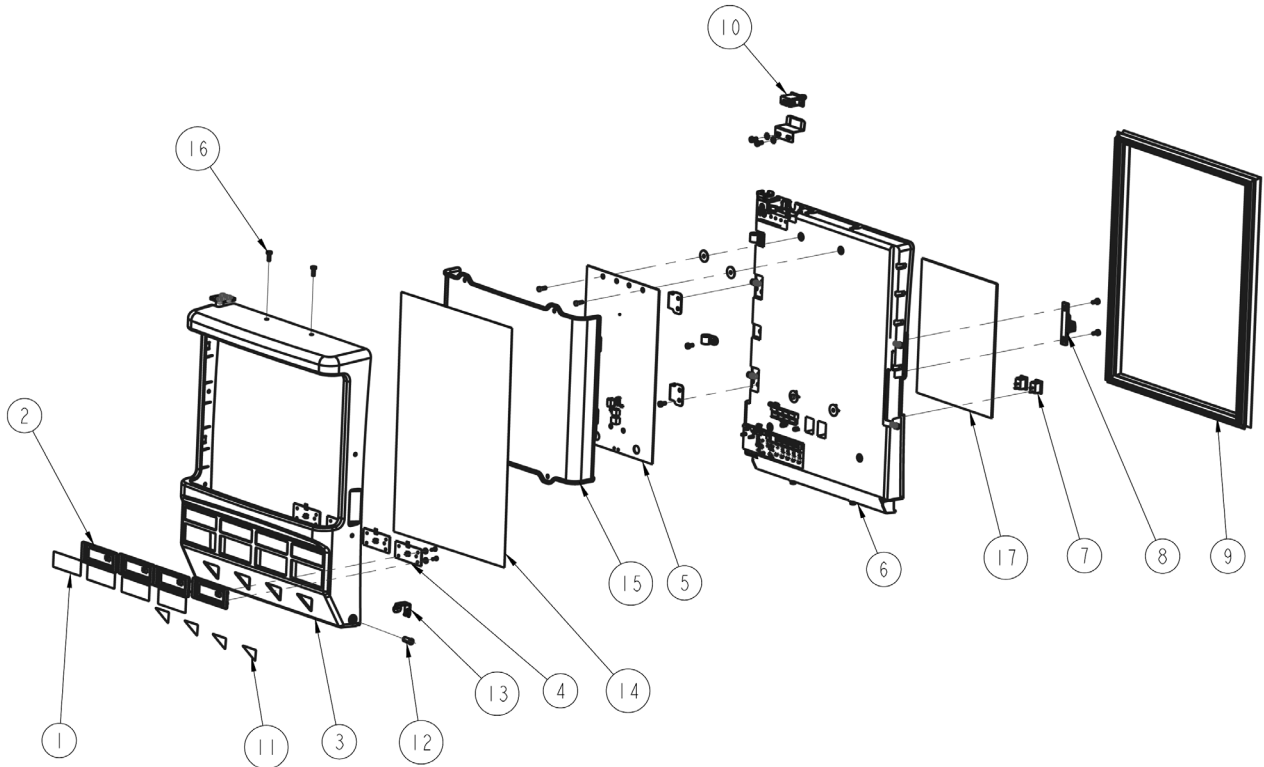


Figure 3.

Table 3. Door Assembly

Item	Part No.	Description
1	620047753	Overlay Assembly, Push button Control, Quest
	620047750	Overlay Assembly, Portion Control, Quest Elite, 2/4
2	620047751	Bezel, Push Butt., Silver, QSTE, 2/4FL
	620047968	Bezel, Portion Ctrl, Silver, QSTE,2/4 FL
3	620047764	Merchandiser, Quest Elite, 4FL
	620068732	Merchndsr QUEST ELITE, 4FL, LV Juice
4	45018001	Board Push button
	49280001	Board Portion Control
5	620047679-100	LED Quest PCBA Backlight Family
6	620048917	Assembly, Door Foamed, Quest Elite, 4FL
7	620051427	Switch Rocker Unmarkedv for 220V & 230V
8	720704005	Latch Door Male
9	620047767	Seal, Door, Quest Elite, 4FL
10	740002199	Switch Cutout 10A MOM F6900A0
11	620049097	Label Triangle Nozzle Indicator Mirror Finish QST2 2/4FL
12	620047747	Kit, Lock & Key Door Quest Elite, 2/4FL
13	620047748	Latch Mounting Lock

Table 3. Door Assembly

Item	Part No.	Description
14	620047769	Graphic, Generic, Quest Elite, 4FL
15	620047768	Lens, Quest Elite, 4FL
	620067962	Lens, Merchandiser (individual)
16	70747	Screw MA 8-32 TRPH 12 SS
17	620052150	Label Daily Flush & Cleaning Quest Elite Qt
	620052151	Label Daily Flush & Cleaning SLJ Flush
	620052153	Label Daily Cleaning QSTE SLJ Non Flush
*	629097007	Kit 1, Flavor Strip Quest Elite, 2/4FL (Not Shown)
	629097008	Kit 2, Flavor Strip Quest Elite, 2/4FL (Not Shown)
*	729011220	Kit, Conversion PB to PC, QSTE 4FL (Not Shown)
	729011221	Kit, Conversion, PC to PB, QSTE 4FL (Not Shown)
*	620050925	LABEL ROCKER SWITCH DETAILS, QSTE,230V, 2/4FL (Not Shown)
*	620066441	Handle, Pull Pocket (Used on FN2 Models only).

CABINET ASSEMBLY REFERENCE

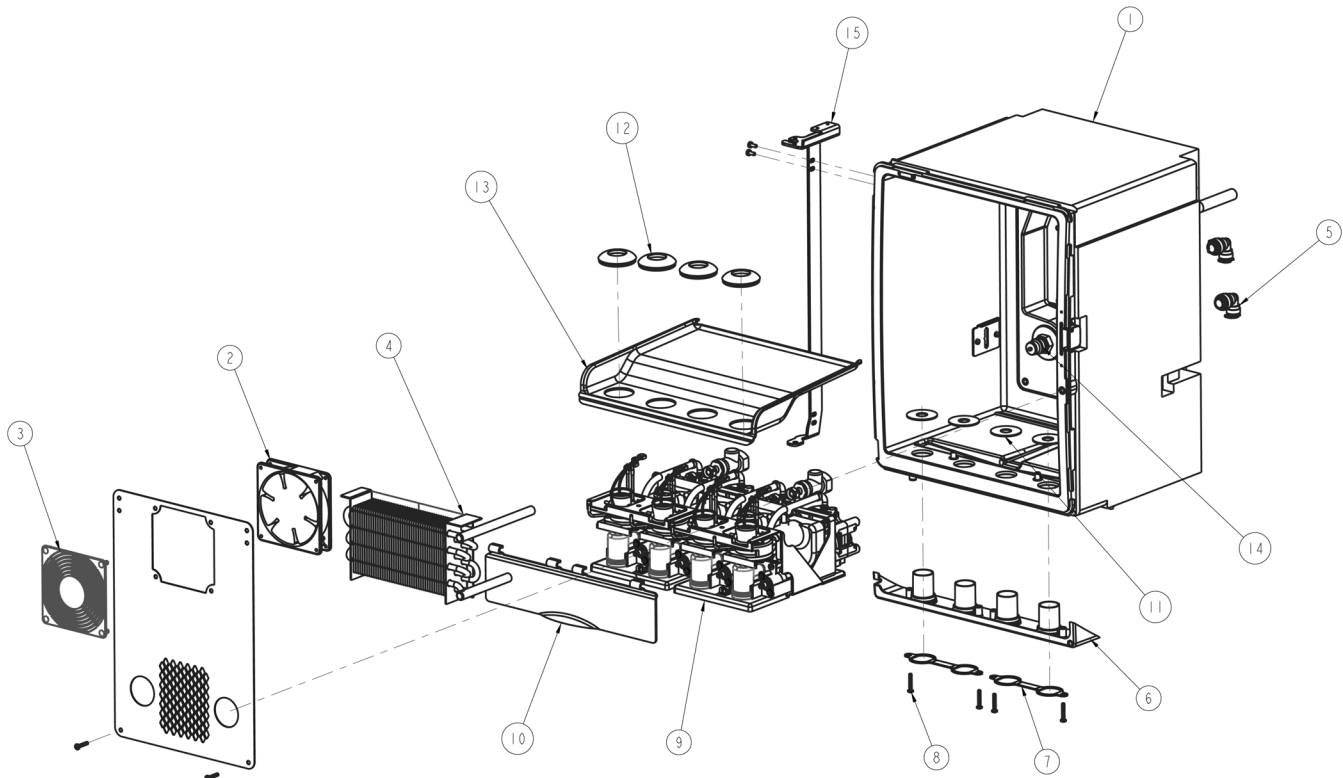


Figure 4.

Table 4. Cabinet Assembly

Item	Part No.	Description
1	620049843	Cabinet Assy QST Elite 4FL Modified Drain
2	720506104	Fan Assembly 115/60/50 4.7 X 4.7X1.0
	620073748	Fan Motor, Cabinet 115V/60HZ
	720506105	Fan Assembly 230/50/60 4.7 X 4.7 X1.0
	620073749	Fan Motor, Cabinet 230V/50HZ
3	620047512	Guard, Fan EBM 9000 & 4000
4	720506204	Cabinet Heat Exchanger
5	720509206	Fitting Push, Union Elbow, 3/8"X 1/2" LG
6	620047971	Trim Bottom W/Insert, Quest Elite, 4FL

Table 4. Cabinet Assembly

Item	Part No.	Description
7	720201479	Bracket Dual Nozzle Block Quest
8	07040007	Screw Machine, #8-32 PAPH 28SS
9	620073301	Platform Assembly SLJ Flush
	620073691	Platform Assy, NO SOLD OUT, QR290
10	720532101	Platform Door, Quest 4FL
11	S3354	Gasket Sealing Bowl Spout
12	720703301	Grommet, Seal Platform Cover Quest
13	720201509	Shelf, Cabinet, Quest 4FL
14	720200206	Fitg Insrt 3/8"NPT PP
15	620047775	Brkt Hinge QST2 2FL/4FL

REFRIGERATION FRAME ASSEMBLY
P/N 620072346

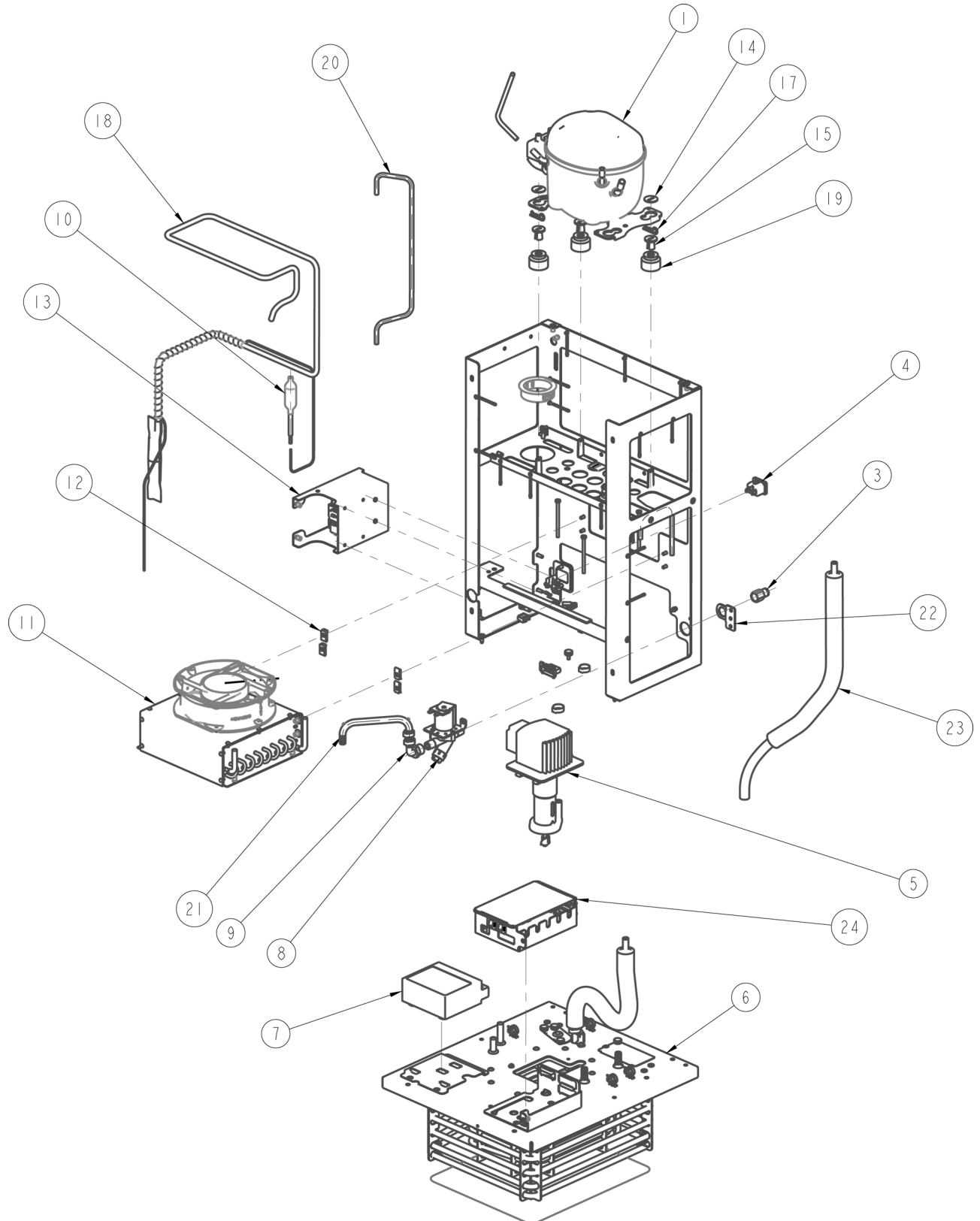


Figure 5.

Table 5. Refrigeration Frame Assembly

Item	Part No.	Description
1	620073701	KIT COMP 115V/60HZ QST FL, R290
	629098023	KIT COMP 230V/60HZ QST FL, R290
3	620048659	Adapter 1/4" FNPT To 3/8" Male Flare
4	620049959-001	Cord Serv 115V IEC60320-C13
	620049959-003	Tube Connector Discharge QST2
	620049959-007	Cord Pwr QSTE 2/4FL CEI-16/VII Italian Plug
	620049959-008	Cord Pwr ME Version QSTE 2/4FL
	620049959-009	Cord Pwr QSTE 2/4FL CEI-16/VII Italian Plug
5	620042742	Agitator Motor Assembly 115V
	620042741	Agitator Motor Assembly 230V/50
7	620071645	CONTROL PCBA GLOBAL ICE BANK 120V/240V
8	740001674	Valve Water W/Solenoid, Quest Elite, 2/4FL
9	620049857	Reducer, Elbow, 1/4 FNPT x 3/8 Barb
10	620072238	2 Cubic Inches Filter Dryer
11	620073088	Fan Motor 115 V
	620073721	Fan Motor 230 V
	620073089	Condenser Coil R290
13	620072316	27 VDC PSU
14	9649	Washer Comp Mount
15	317781000	Bushing, Split
17	08474	Clip Spring
18	620073092	Suction Line with Heat Exchanger
19	620049560	Grommet Ae Comp Qst2
21	49034	Tube Tygon 3/8id X 5/8
22	620054202	Brkt Solenoid Quest Elite 2/4fl
24	620072324	Box Electric Assembly QUEST

PLATFORM ASSEMBLY NON FLUSH NON SOLD-OUT QST

P/N 620073691

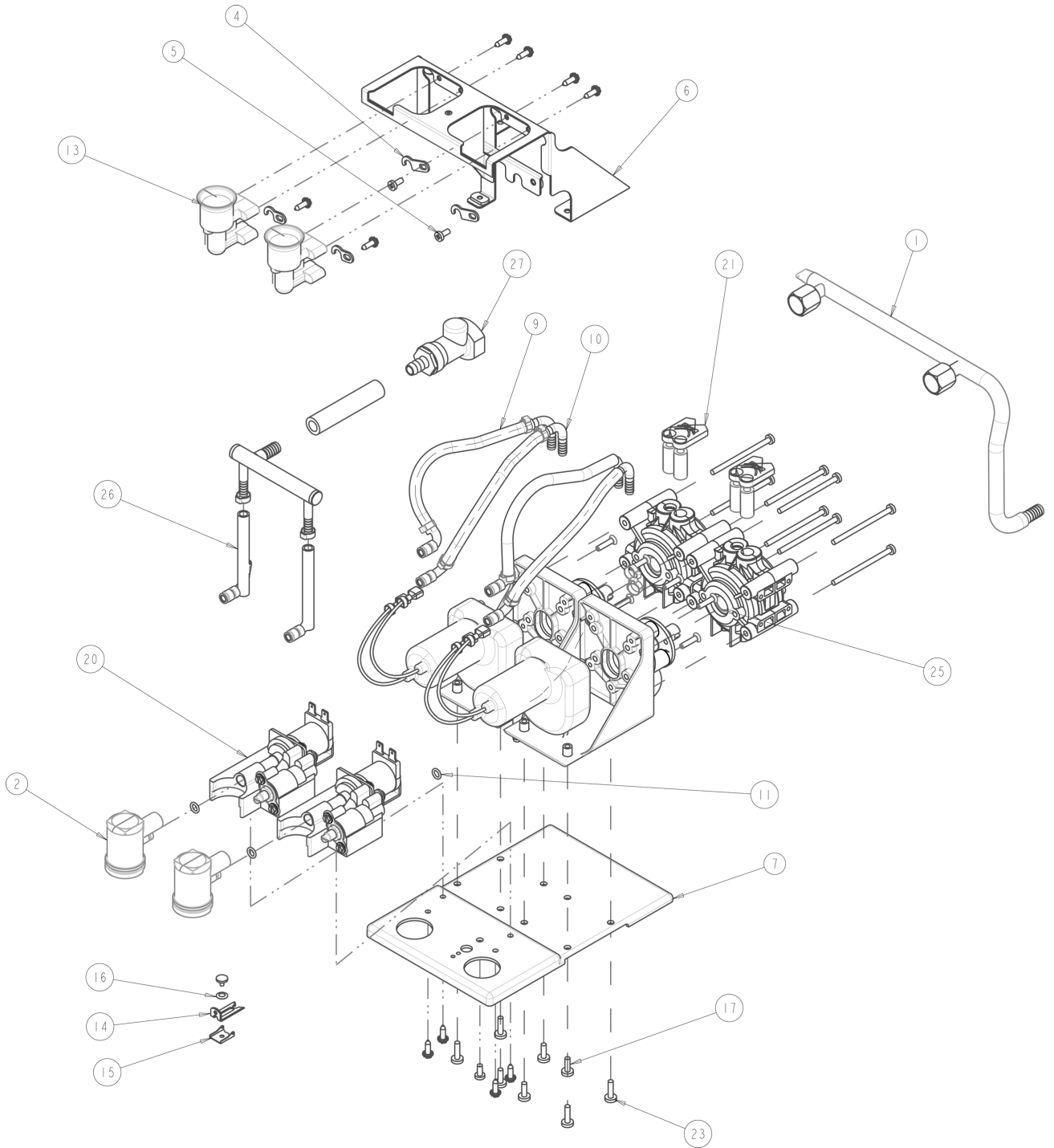


Figure 6.

Table 6. Platform Assy Non Flush Non Soldout QST

Item	Part No.	Description
1	720509314	Manifold Water In QST
2	720500033	Chamber Mixing QST4
4	724558601	Clip Tube Retainer QST
5	70171	Screw MA 08-32 TRPH 12 SS
6	720201433	Brkt Asy Platform SLJ QST-NT
7	720202704	Base Platform SLJ QST IHOP
9	720509103	Tube Asy Concentrate Out QST
10		Tube Asy Concentrate In QST
11	317015000	O-RING 239ID 070CS 70DU EY-P
13	620046159	Adapter Caddy No Flush QST
14	45046	Latch #2 Medium SS
15	45047	Guide Latch #2 Med
16	45048	Washer Latch #2 Med
17	0704105	Screw MA 08-32 TRPH 16 SS
20	45508200	Valve Block Asy QLT Generic
21	48195006	Clamp Hose .470ID
22	45185X	Pump & Motor Asy 3-Roller
23	0704107	Screw #8-32 X 5/8 THMS SS
25	49034	Tube TYGON 3/8 IDX 5/8
26	720509104	Tube Asy Water Valve Inlet
27	720720498	Coupling In-line 3/8 ID HC35

PLATFORM ASSEMBLY SLJ FLUSH
P/N 620073301

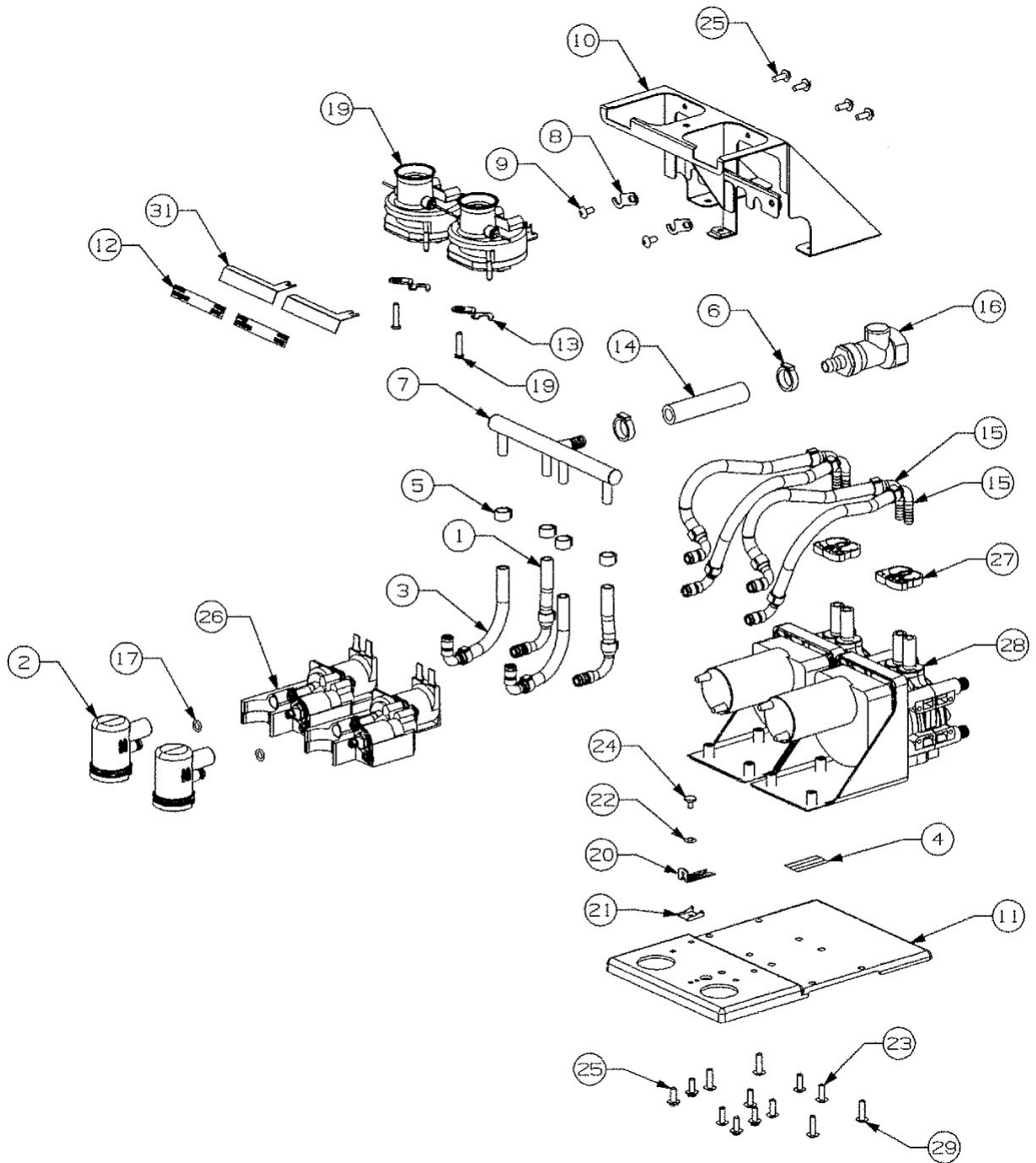


Figure 7.

Table 7. Platform Asy SLJ Flush

Item	Part No.	Description
1	720509104	Tube Assembly Water Valve Inlet
2	720500033	Chamber Mixing QST4
3	720509105	Tube Assembly Water Rinse Inlet
5	309854000	Clamp Oetr 413Open STPLS #10.5
6	30985200	Clamp Oetr 669 Open STPLS #17.0
7	720509304	Manifold Water SS Quest 4
8	724558601	Clip Tube Retainer QST
9	70171	Screw Machine 8-32 TRPH12SS
10	720201433	Bracket Assembly Platform SLJ QST
11	720202704	Base Platform SLJ QST
12	7245072	Label Dispense/Flush QST
13	720704207	Washer Hold Down Hook RH Turn QST
14	49034	Tube TYGON 3/8 IDX 5/8
15	720509103	Tube Assembly Suction Quest
16	720720498	Coupling In-line 3/8 ID HC35
17	317015000	O-Ring 239ID 070CS 70DU EY-P
18	45026X	Adapter Bottle Assy SLJ 1000 (Not Shown)
19	45060001	Adapter Bottle Assembly SL DIS P
20	45046	Latch #2 Medium SS
21	45047	Guide Latch #2 MED
22	45048	Washer Latch #2 MED
23	0704105	Screw MA 08-32 TRPH 16 SS
24	720800077	Rivet Platform Base QST
25	49478001	Screw Tc 08-18 Hxsl 14 Ss 25
26	45508200	Valve Block AS QLT Generic
27	48195006	Clamp Hose.470 ID
28	45185X	Pump & Motor Assembly 3-Roller
29	0704107	Screw #8-30 2X 5/8 THMS SS
30	720501706	Cap Plug.093 ID X 50 Long 1/2 inch
31	720201611	Bracket Platform Label SLJ QST

PUMP ASSEMBLY
P/N 45185x

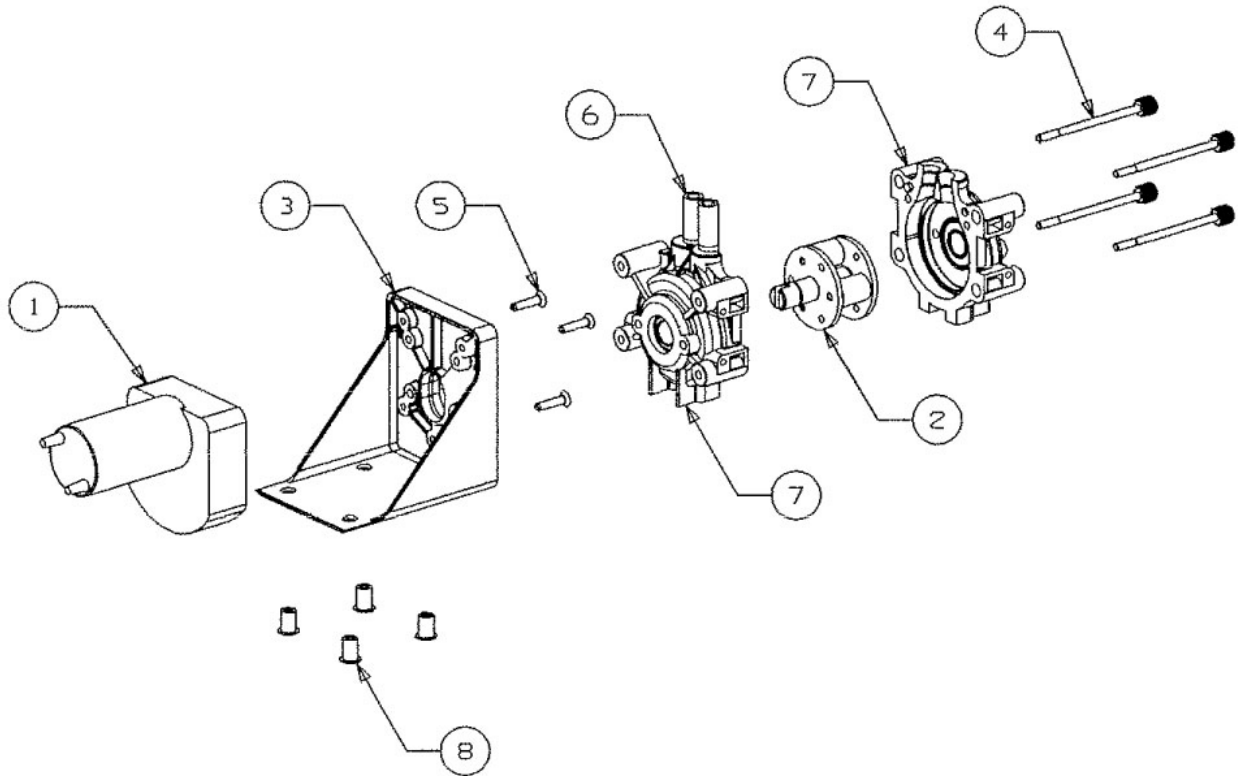


Figure 8.

Table 8. Pump Assembly

Item	Part No.	Description
1	45016001	Pump Gear Motor
2	45728001	Rotor Assembly (Thick Wall)
3	45050	Pump & Motor Mounting Block
4	70555	Screw MA 08-32 TRPH 84 SS
5	0702905	Screw #8X3/4" FHMS
6	45098	Pump Tubing Kit (Pump Tubing, Clamps & Instructions)
*	45078	Pump Assembly (Items 2 & 7)
7	45727	Pump Body, Front/Rear
*	70730	Nut Well #8-32
*	0704107	Screw #8-32 x 5/8 THMS SS

GENERIC BOTTLE ASSEMBLY

P/N 720401107

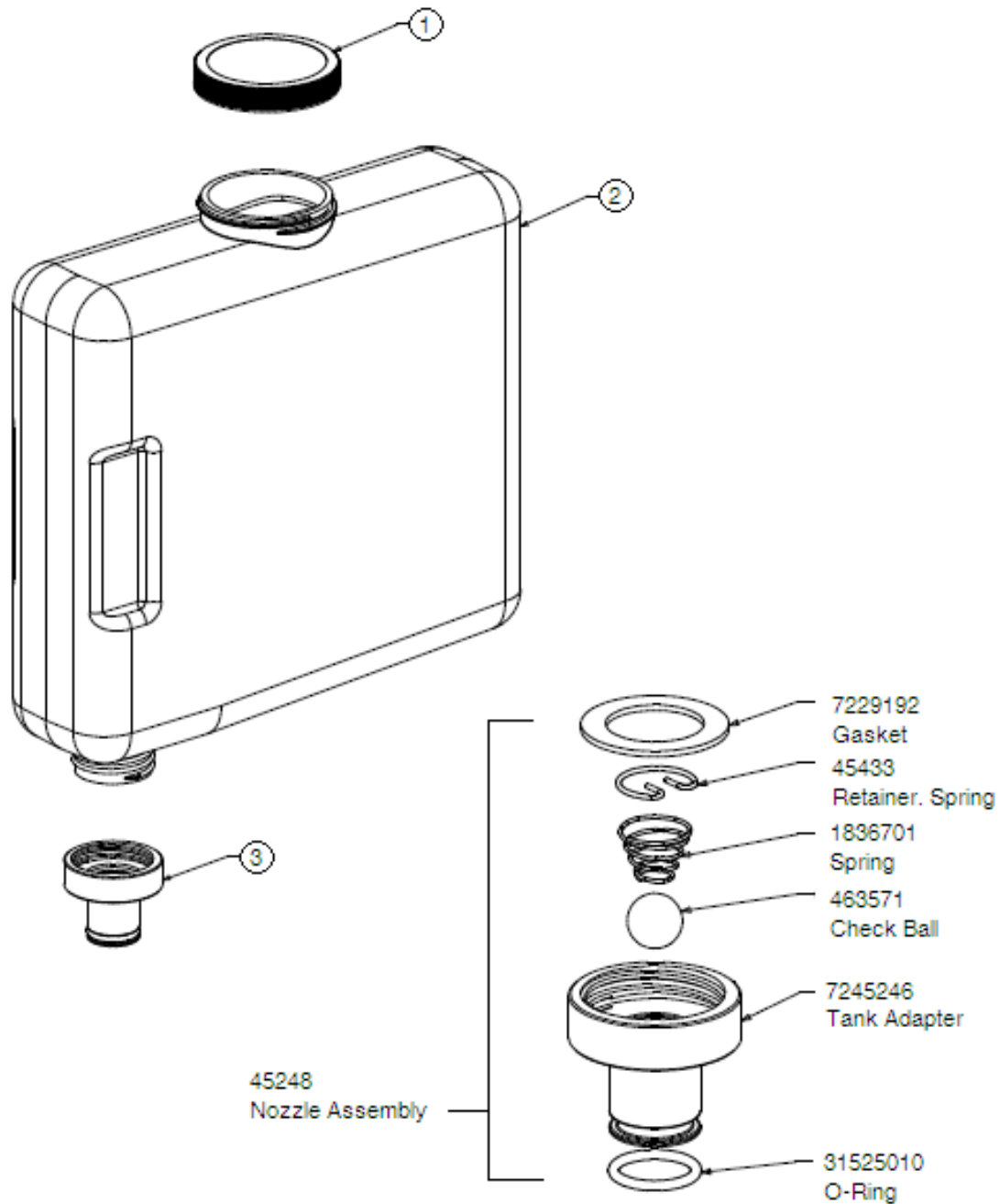


Figure 9.

Table 9. Generic Bottle Assembly

Item	Part No.	Description
1	720202010	Cap 400 Series QST
2	720401106	Bottle Refillable QST
3	45248	Adapter Assembly, Bottle



RECOMMENDED SPARE PARTS BASED ON 10 UNITS

Part No.	Description	Qty
620073088	FAN MOTOR LPT15P SERIES AC LOWER POWER	1
18367	Spring, Coil S/S - water solenoid	2
620072316	POWER SUPPLY 27V RPS 120S	1
45098	Pump tubing kit	4
45432	Inner door switch	1
71860290	Armature, water solenoid	1
7245699	Flow control / bonnet assembly	1
620710107	Rubber gasket	1
19695001	Guide, water solenoid	1
31525037	O-ring - dispensing nozzle	1
45016001	Pump gear motor	2
45091001	Main water solenoid valve	1
45728001	Pump rotor assembly	1
48520001	Coil, 24VDC, valve block	1
48979103	Spool & sleeve Assy w/ o-ring	2
59328001	Fuse, 6.25 amp	1
620071645	Control PCBA Ice Bank 120/240V	1
720500014	Drip tray grill	1
720500104	Drip tray grill	1
720500710	Door gasket	1
720502800	Agitator motor	1
720506104	Cabinet fan, 115V	2
720508801	Push button control board	1
720508802	Portion control board	2
720511606	Ballast Board	1
720703502	Foam gasket, lower door	1
720704001	Latch, door	1
620073089	COND QUEST ELITE PRO R290	1
548000278	BOARD DOOR BREAKOUT CONTROL	1
620072238	DRYER R290 2.36G 1/4ODF	1
620073701	Compressor kit assembly Quest R290	1
620072324	System Controls E-Box QST R230	1
620073390	Harn Motor and Valve Ctrl-NO SOLD	1
620049320	Harn Combined Compressor Condenser	1
620072330	Harn E-Box Power Input and Water	1
620072331	Harn E-Box to Cabinet	1
620072334	Harn Merchandiser Power	1
620072335	Harn Door On/Off	1
620072336	Harn P2P Dispense Keypad	1
620072337	Harn Pump Deck SOLD OUT	1
620715835	Nozzle Static Mixer ASMB	1

