

PROJECT: \_\_\_\_\_

ITEM # \_\_\_\_\_ QTY: \_\_\_\_\_

MODEL # \_\_\_\_\_

AIA # \_\_\_\_\_ SIS # \_\_\_\_\_

## REMOTE CONDENSER

### RC100C49

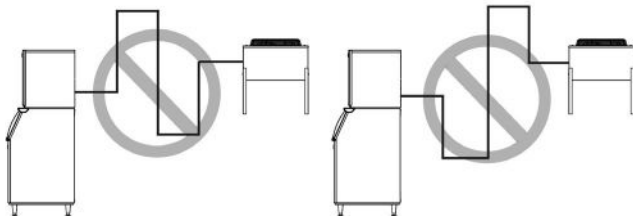


### Features and Benefits

- Weather Resistant design improving operating parameters.
- Vertical air discharge.
- Easy assembly and flexible installation with pre-charged line-sets or noncharged, partially assembled line-sets.
- Efficient PSC motor reduces energy usage.
- Constructed from corrosion-resistant galvanized steel.
- Remote systems reduce air conditioning requirements and cost.
- Condenser fan is located outside, ensuring quieter interior operation for customers.
- Remote condenser for CIM0530R49 models.
- Pairs with precharged linesets: RL49-25, RL49-40, and RL49-75.



**IMPORTANT:** Do not route a line set that rises, then falls, then rises. Do not route a line set that falls, then rises, then falls. See diagram below.



### Equivalent Run Calculation Example: Rise

Calculated line set length = (Rise x 1.7) + (Drop x 6.6) + Horizontal Run  
 Calculated line set length = (35 x 1.7) + (0 x 6.6) + 40  
 Calculated line set length = 99.5 ft

Calculated line set length must not exceed 100 ft

### Warranty

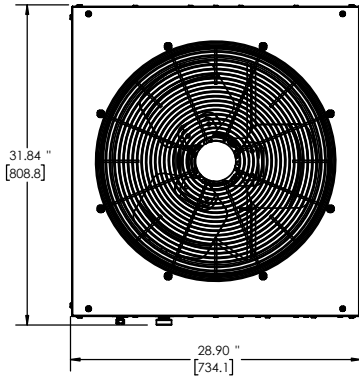
- 3 years parts and labor

### Options & Accessories

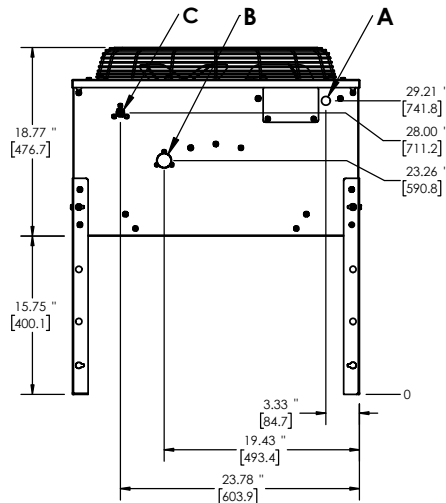
- Precharged Lineset Options: RL49-25, RL49-40, RL49-75
- Noncharged linesets: KRL-25, KRL-40, & KRL-75

Line drawing note: Numbers with quote symbol " are in inches. Numbers enclosed in [brackets] are in millimeters.

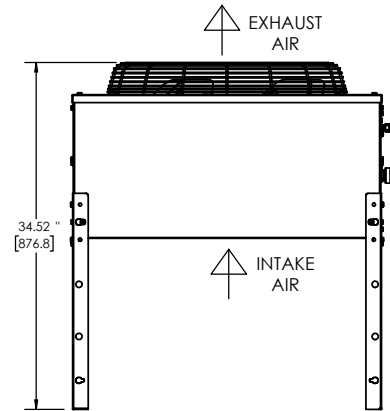
PLAN / TOP VIEW



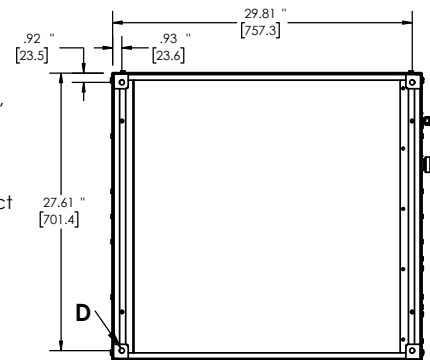
ELEVATION / FRONT VIEW



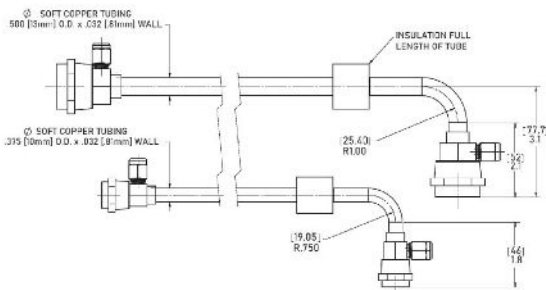
SIDE VIEW



BOTTOM VIEW



LINE SETS



**Remote Condenser**

- A. Remote Condenser Electrical, 7/8" Hole, Must Be Liquid Tight Connection
- B. Remote Condenser Discharge Line, INLET, 1/2" male quick connect for line set
- C. Remote Condenser Liquid Line, OUTLET, 3/8" male quick connect for line set
- D. Mounting Holes, 1/2" Hole (4)

SPECIFICATIONS	
Model	RC100C49
Condensing Type	Remote
Min. Circuit Amp	2
Refrigerant	R449A
Refrigeration Charge	16 oz
Fan Watts	93

OPERATING REQUIREMENTS		
	MINIMUM	MAXIMUM
Ambient Temp. Range Air	-20°F (-29°C)	120°F (48.9°C)

DIMENSIONS		
Unit Width	29 in.	737 mm
Unit Depth	31 in.	787 mm
Unit Height	34.5 in.	876 mm

Shipping Weight	91 lbs / 41 kg	
Shipping Dimensions (in.)	32 (W) x 34 (D) x 28 (H)	
Shipping Dimensions (mm)	812.8 (W) x 863.6 (D) x 711.2 (H)	