

PROJECT: _____

ITEM # _____ QTY: _____

MODEL # _____

AIA # _____ SIS # _____

REMOTE CONDENSER

RC406C49

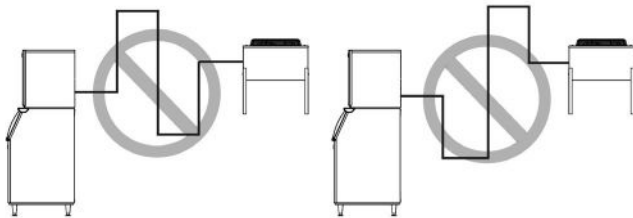


Features and Benefits

- Weather Resistant design improving operating parameters.
- Vertical air discharge.
- Easy assembly and flexible installation with pre-charged line-sets or noncharged, partially assembled line-sets.
- Efficient PSC motor reduces energy usage.
- Constructed from corrosion-resistant galvanized steel.
- Remote systems reduce air conditioning requirements and cost.
- Condenser fan is located outside, ensuring quieter interior operation for customers.
- Remote condenser for CIM2046R49 and CIM2047R49 models.
- Pairs with precharged linesets RL49-25, RL49-40, and RL49-75.



IMPORTANT: Do not route a line set that rises, then falls, then rises. Do not route a line set that falls, then rises, then falls. See diagram below.



Equivalent Run Calculation Example: Rise

Calculated line set length = (Rise x 1.7) + (Drop x 6.6) + Horizontal Run
 Calculated line set length = (35 x 1.7) + (0 x 6.6) + 40
 Calculated line set length = 99.5 ft

Calculated line set length must not exceed 100 ft

Warranty

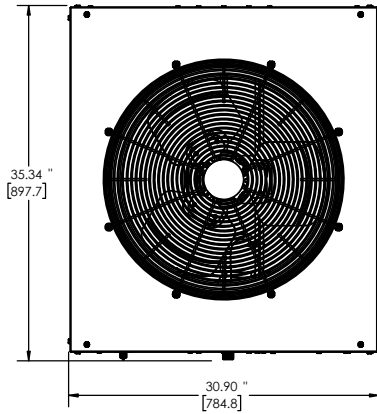
- 3 years parts and labor

Options & Accessories

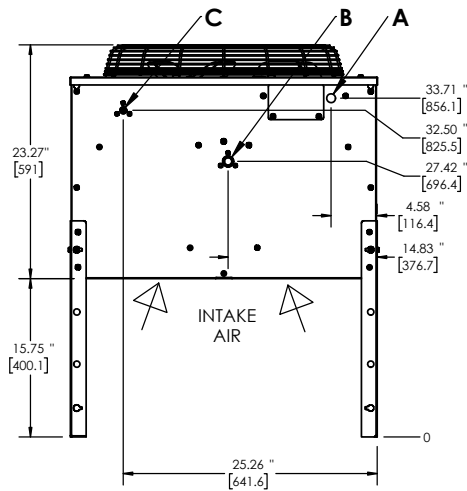
- Precharged Lineset Options: RL49-25, RL49-40, RL49-75
- Noncharged linesets: KRL-25, KRL-40, & KRL-75

Line drawing note: Numbers with quote symbol " are in inches. Numbers enclosed in [brackets] are in millimeters.

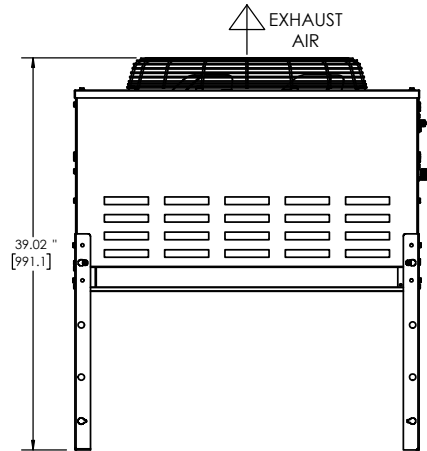
PLAN / TOP VIEW



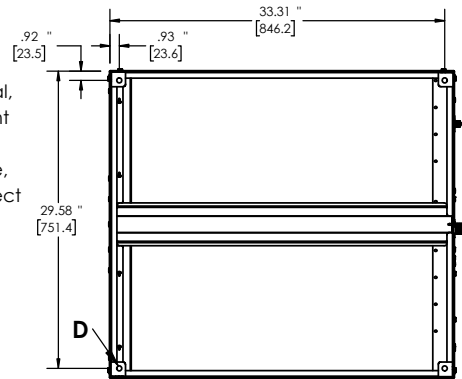
ELEVATION / FRONT VIEW



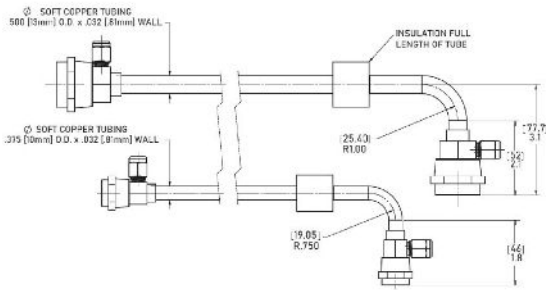
SIDE VIEW



BOTTOM VIEW



LINE SETS



Remote Condenser

- A. Remote Condenser Electrical, 7/8" Hole, Must Be Liquid Tight Connection
- B. Remote Condenser Discharge Line, INLET, 1/2" male quick connect for line set
- C. Remote Condenser Liquid Line, OUTLET, 3/8" male quick connect for line set
- D. Mounting Holes, 1/2" Hole (4)

SPECIFICATIONS	
Model	RC406C49
Condensing Type	Remote
Min. Circuit Amp	0.9
Refrigerant	R449A
Refrigeration Charge	16 oz
Fan Watts	93

OPERATING REQUIREMENTS		
	MINIMUM	MAXIMUM
Ambient Temp. Range Air	-20°F (-29°C)	120°F (48.9°C)

DIMENSIONS		
Unit Width	31 in.	787 mm
Unit Depth	35 in.	889 mm
Unit Height	39 in.	991 mm
Shipping Weight	138 lbs / 63 kg	
Shipping Dimensions (in.)	34 (W) x 38 (D) x 29 (H)	
Shipping Dimensions (mm)	863.6 (W) x 965.2 (D) x 736.6 (H)	