

* Remote condenser shown with optional guard

Features

- Lightweight construction and an aluminum coil help reduce weight by nearly 20% compared to previous models.
- Condenser fits through a standard 30" x 36" roof hatch for ease of installation.
- Easy assembly and installation with innovative legs.
- More efficient motor reduces energy usage by 25% - 50%.
- Environmentally responsible – all remote condensers use R404A, an approved non-ozone depleting refrigerant.
- Constructed from sturdy, corrosion-resistant galvanized steel.
- Reduces air conditioning requirements and cost.
- Fan is located outside, ensuring quiet operation for customers.

Required Accessories

Model Number	Description	Shipping Weight lbs (kg)
RT-325-404	25 ft (7.6 m) Precharged Tubing Kit for R404A Models	13 (6)
RT-340-404	40 ft (12.0 m) Precharged Tubing Kit for R404A Models	18 (8)
RT-375-404	75 ft (22.9 m) Precharged Tubing Kit for R404A Models	36 (16)
GRILL10	Optional Grill Guard Kit for RCA-1001, RCA-1061, RGA0501-HM and RGA1061-HM	8 (3.6)
GRILL20	Optional Grill Guard Kit for RCA-2061 and RCA-3561	12 (5.4)
GRILL30	Optional Grill Guard Kit for RCA-3061	10 (4.5)

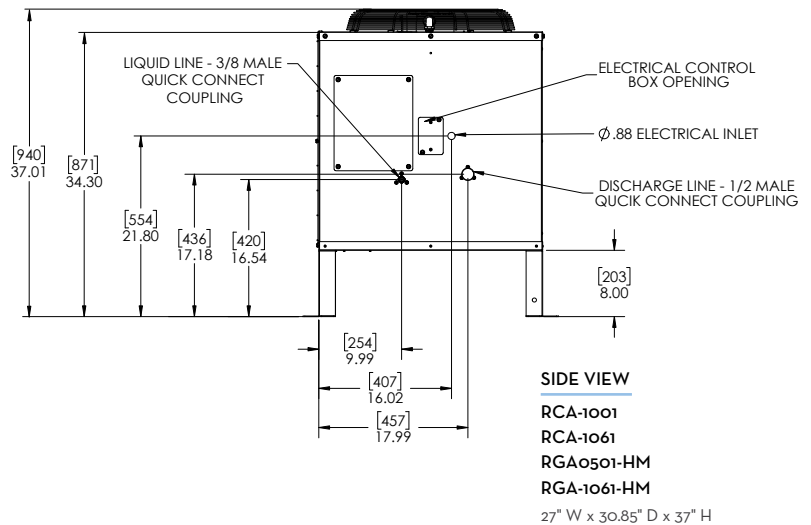
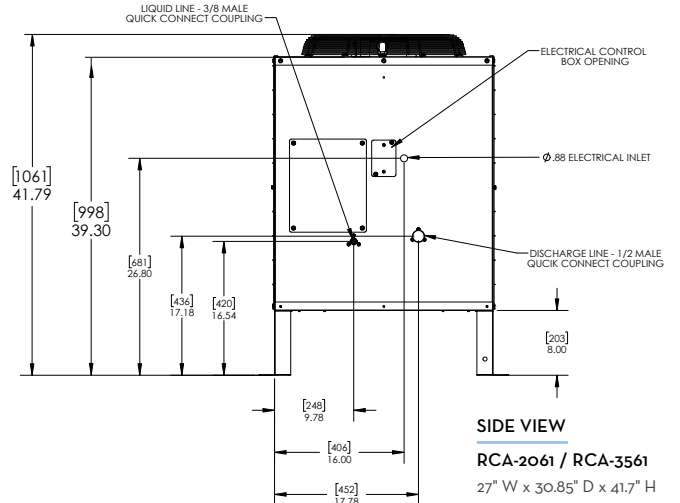
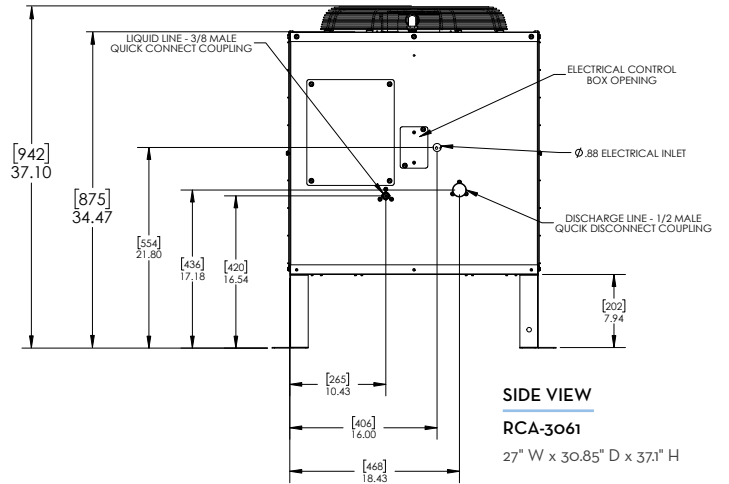
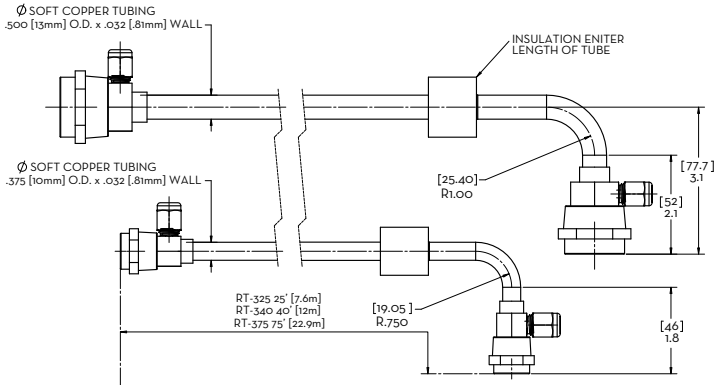
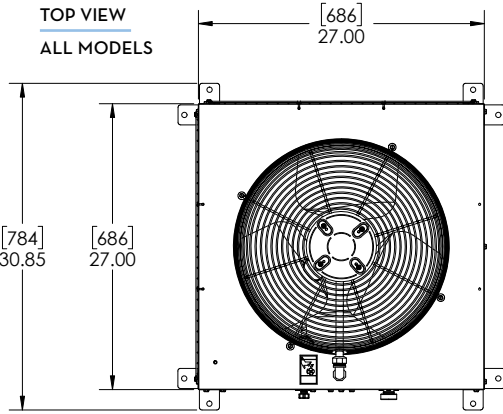
Specifications

Model Number	Description	Voltage Characteristics	Fan Watts	Shipping Weight lbs (kg)	*Circuit Breaker
RCA1001	Remote Condenser for model CIMO53OR	115/60/1	93.2	97 (44)	15 amps
RCA1061	Remote Condenser for model CIMO636R				
RCA2061	Remote Condenser for models CIMO825R, CIMO826R, CIMO835R, CIMO836R, CIM1125R, CIM1126R, CIM1135R, CIM1136R, CIM1137R, CIM1446R, GEM2006R, MFI2306R	208-230/50-60/1		111 (50)	15 amps
RCA3061	Remote Condenser for models CIM1545R, CIM1845R, ICE1506R			119 (54)	
RCA3561	Remote Condenser for models CIM2046R			115 (52)	
RGA0501-HM	Remote Condenser for models GEMO650R, MFI0800R	115/60/1		97 (44)	15 amps
RGA1061-HM	Remote Condenser for models GEMO956R, GEM1306R, MFI1506R, MFI1256R	208-230/50-60/1			

* If on separate circuit from ice machine head.

Operating Requirements

MINIMUM		
Remote Condenser Temp.	-20°F (-29°C)	120°F (50°C)



NOTES:
Number of Wires: 3 (including ground)
Refrigerant Type: R404A