

Ice-O-Matic[®]



Ice. Pure and Simple[™]

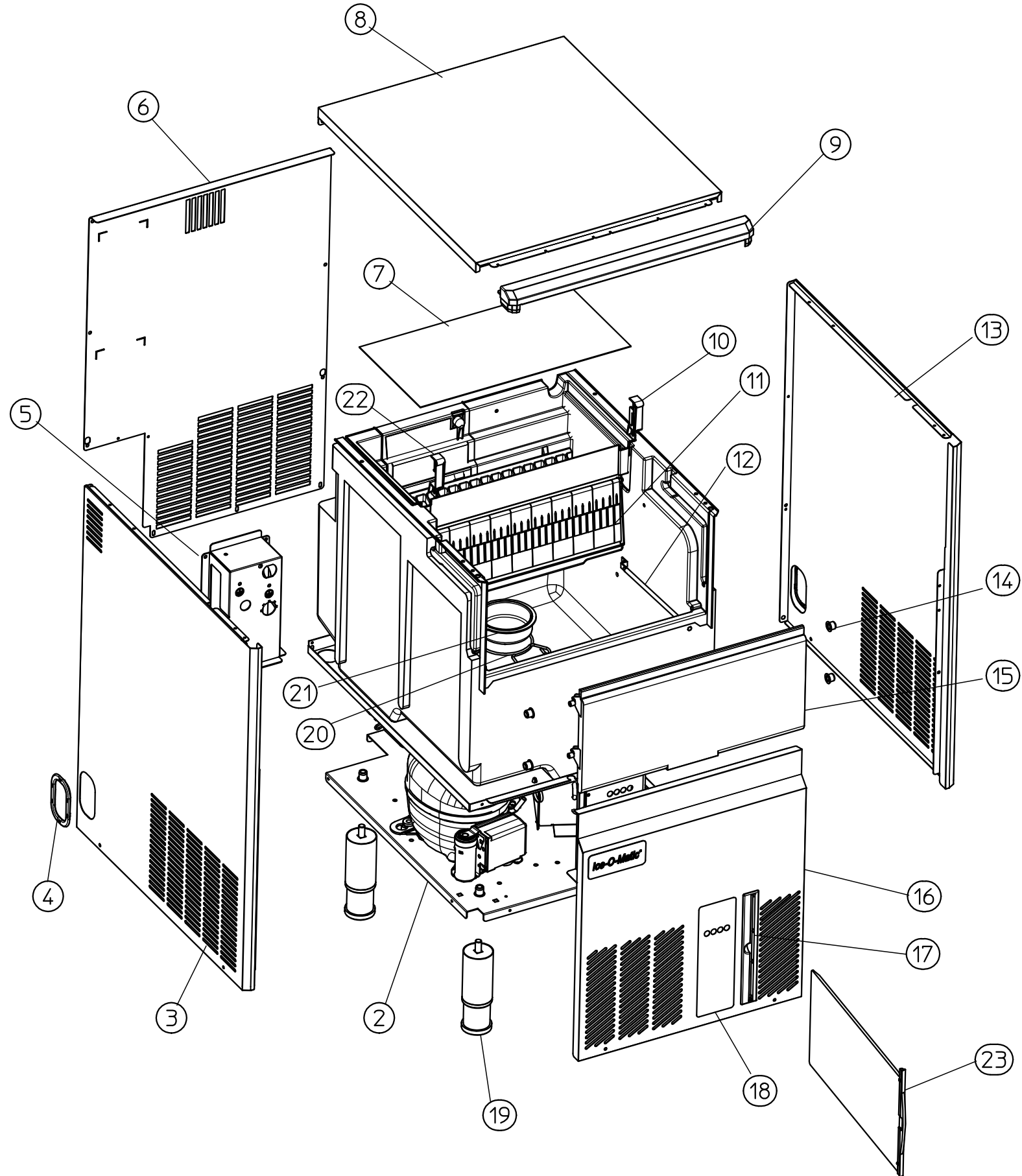
UCG 80

SPARE PARTS LIST

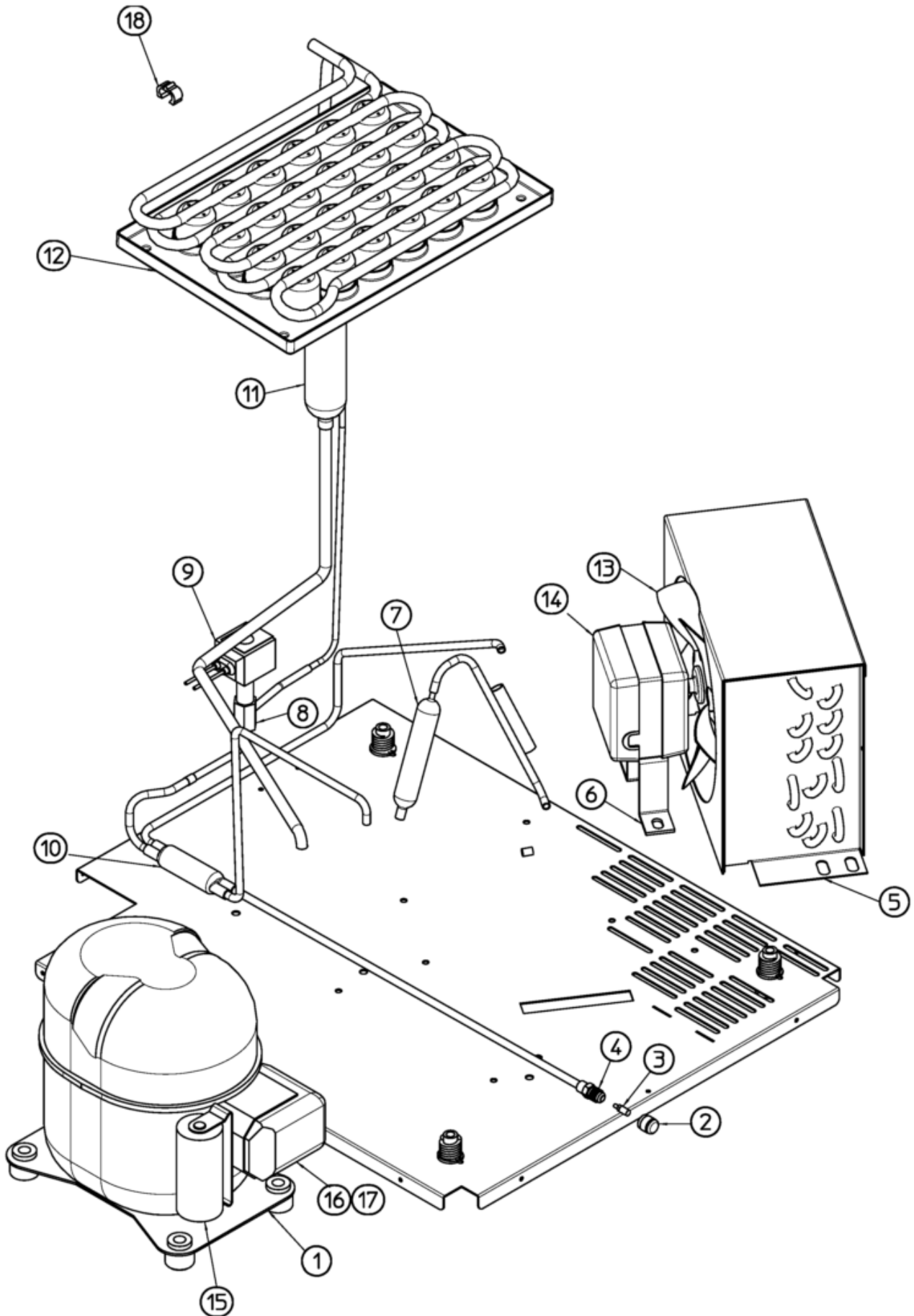
REV. 10/2020

Ice. Pure and Simple

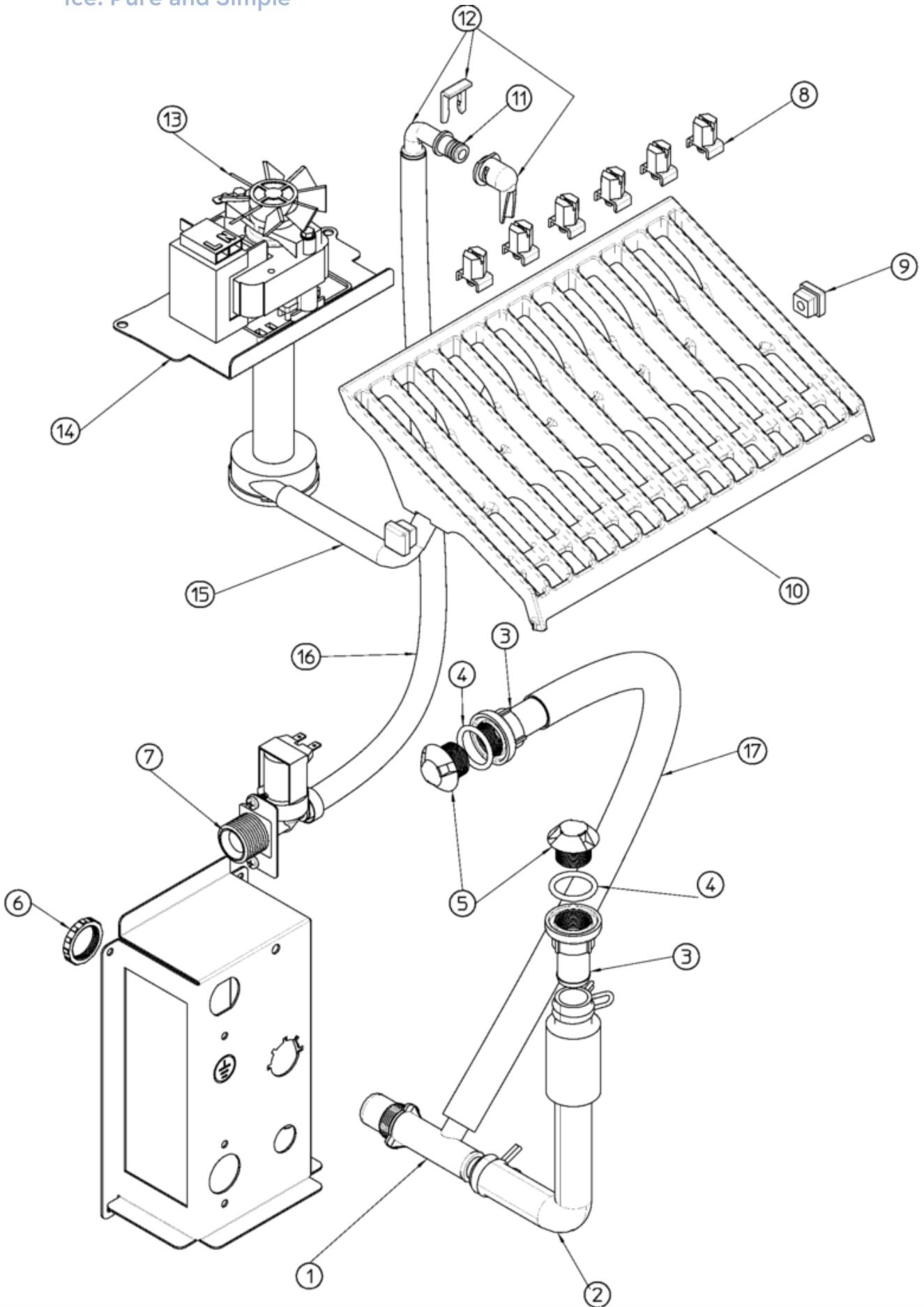
- 1 UNIT PANELS
- 2 REFRIGERANT SYSTEM – AIR COOLED
- 3 WATER SYSTEM
- 4 CONTROL BOX



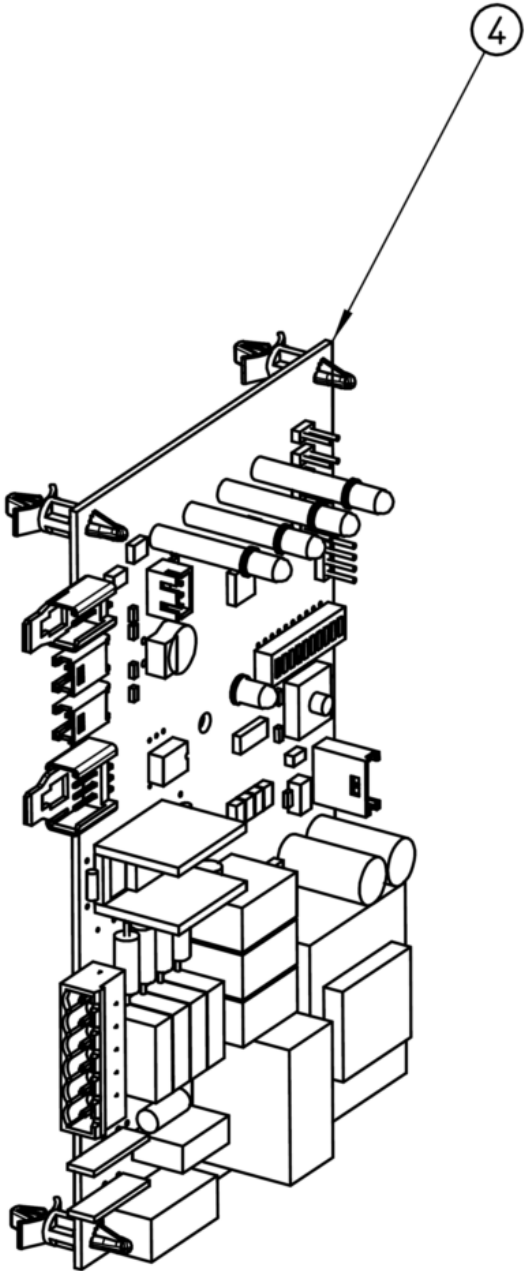
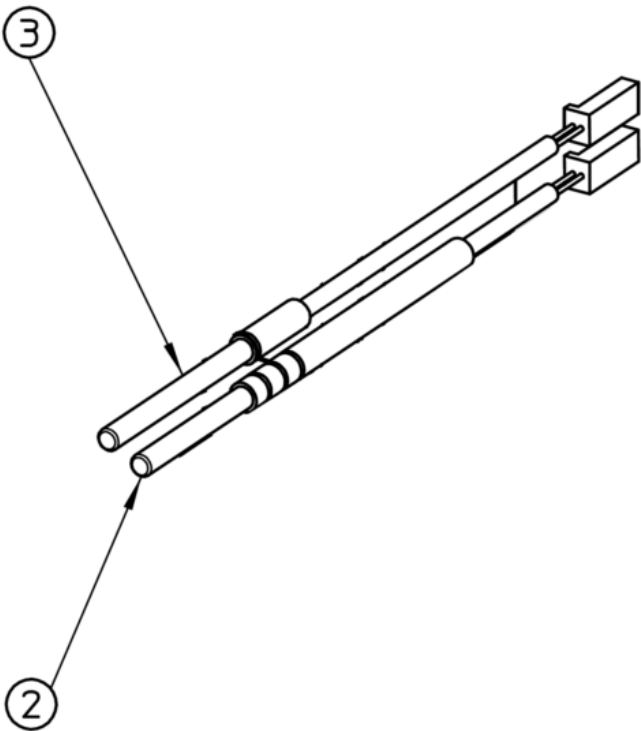
Pos	Code	Description	Price (€)
0002	SC704420 00	BASE	
0003	SC726045 00	LEFT SIDE PANEL	
0004	SC661070 00	PLASTIC PROTECTION	
0005	SC702705 00	WATER HOOK UP PANEL	
0006	SC702666 00	REAR PANEL	
0007	SC742033 04	EVAPORATOR COVER	
0008	SC726041 00	TOP PANEL	
0009	SC661252 01	FRONT TRIM	
0010	SC660388 00	CURTAIN BRACKET (RIGHT)	
0011	SC784457 02R	CURTAIN ASSY	
0012	SC620565 01	BIN LEVEL CRTL	
0013	SC726044 00	RIGHT SIDE PANEL	
0014	SC660286 00	BUSHING	
0015	SC661220 03	BIN DOOR	
0016	SC726046 00	FRONT PANEL	
0017	SC660804 03	AIR FILTER SEAT	
0018	SC651743 00	LABEL	
0019	SC651469 02	LEG	
0020	SC460047 00	SPRING	
0021	SC660741 00	PLASTIC PLUG	
0022	SC660388 01	CURTAIN BRACKET (LEFT)	
0023	SC660805 04	AIR FILTER	



Pos	Code	Description	Price (€)
0001	SC670109 08	COMPRESSOR	
0002	SC650106 00	CAP	
0003	SC670012 00	VALVE CORE	
0004	SC650109 00	VALVE BODY	
0005	SC620545 00	CONDENSER, AIR	
0006	SC620419 69	BRACKET, MOTOR	
0007	SC630003 11	FILTER	
0008	SC620306 27	HOT GAS VALVE BODY	
0009	SC620306 49	COIL	
0010	SC630137 00	MECHANICAL FILTER	
0011	SC784444 55	ASSY ACCUMULATORE	
0012	SC784477 11	EVAPORATOR ASSY	
0013	SC620419 39	BLADE	
0014	SC620419 03	FAN MOTOR ATEX	
0016	SCCUB 407615	RELAY	
0017	SCCUB 103534	START CAPACITOR	
0018	SC660386 00	SPRING	



Pos	Code	Description	Price (€)
0001	SC660993 00	FITTING	
0002	SC610148 10	TUBE	
0003	SC660219 02	DRAIN FITTING	
0004	SC640134 00	O RING	
0005	SC660211 01	DRAIN FILTER	
0006	SC660535 00	PLASTIC NUT	
0007	SC650105 59	WATER INLET VALVE	
0008	SC660558 00R	SPRAY NOZZLE (10 PCS)	
0009	SC660557 00	SPRAY CUP	
0010	SC661082 00	SPRAY BAR & CHUTE	
0011	SC640041 31	O RING OR 2031 (WRAS-FDA)	
0012	SC793172 00R	WATER INLET ASSY	
0013	SC620433 12	WATER PUMP 115V/60HZ/1PH (30W)	
0014	SC724485 00	METAL BRACKET	
0015	SC610204 01	WATER TUBE	
0016	SC281900 01	TUBE 16X10	
0017	SC610204 00	TUBE	



Pos	Code	Description	Price (€)
0002	SC620519 01	EVAPORATOR SENSOR	
0003	SC620519 04	CONDENSER SENSOR	
0004	SC620620 02	POWER PCB ATEX	