



VIPER (E) 2 FLAVOR

Illustrated Parts List



Classic model

Release Date: December 28, 2008

Publication Number: 621260373IPL

Revision Date: February 8, 2022

Revision: AB

Visit the Cornelius web site at www.cornelius.com for all your Literature needs.

The products, technical information, and instructions contained in this manual are subject to change without notice. These instructions are not intended to cover all details or variations of the equipment, nor to provide for every possible contingency in the installation, operation or maintenance of this equipment. This manual assumes that the person(s) working on the equipment have been trained and are skilled in working with electrical, plumbing, pneumatic, and mechanical equipment. It is assumed that appropriate safety precautions are taken and that all local safety and construction requirements are being met, in addition to the information contained in this manual.

This Product is warranted only as provided in Cornelius' Commercial Warranty applicable to this Product and is subject to all of the restrictions and limitations contained in the Commercial Warranty.

Cornelius will not be responsible for any repair, replacement or other service required by or loss or damage resulting from any of the following occurrences, including but not limited to, (1) other than normal and proper use and normal service conditions with respect to the Product, (2) improper voltage, (3) inadequate wiring, (4) abuse, (5) accident, (6) alteration, (7) misuse, (8) neglect, (9) unauthorized repair or the failure to utilize suitably qualified and trained persons to perform service and/or repair of the Product, (10) improper cleaning, (11) failure to follow installation, operating, cleaning or maintenance instructions, (12) use of "non-authorized" parts (i.e., parts that are not 100% compatible with the Product) which use voids the entire warranty, (13) Product parts in contact with water or the product dispensed which are adversely impacted by changes in liquid scale or chemical composition.

Contact Information:

To inquire about current revisions of this and other documentation or for assistance with any Cornelius product contact:

**www.Marmon Foodservice Technologies.com
800-238-3600**

Trademarks and Copyrights:

This document contains proprietary information and it may not be reproduced in any way without permission from Cornelius.

This document contains the original instructions for the unit described.

Marmon Foodservice Technologies INC
101 Regency Drive
Glendale Heights, IL
Tel: + 1 800-238-3600

Printed in U.S.A.

TABLE OF CONTENT

Cladding Assembly Classic model	1
Foam Pack/Drive Assembly	3
Faceplate Assembly	4
Motorman Valve Assembly	5
Product Delivery System	6
Refrigeration System	7
E-Box Assembly	8
Merchandiser Assembly Classic model	10

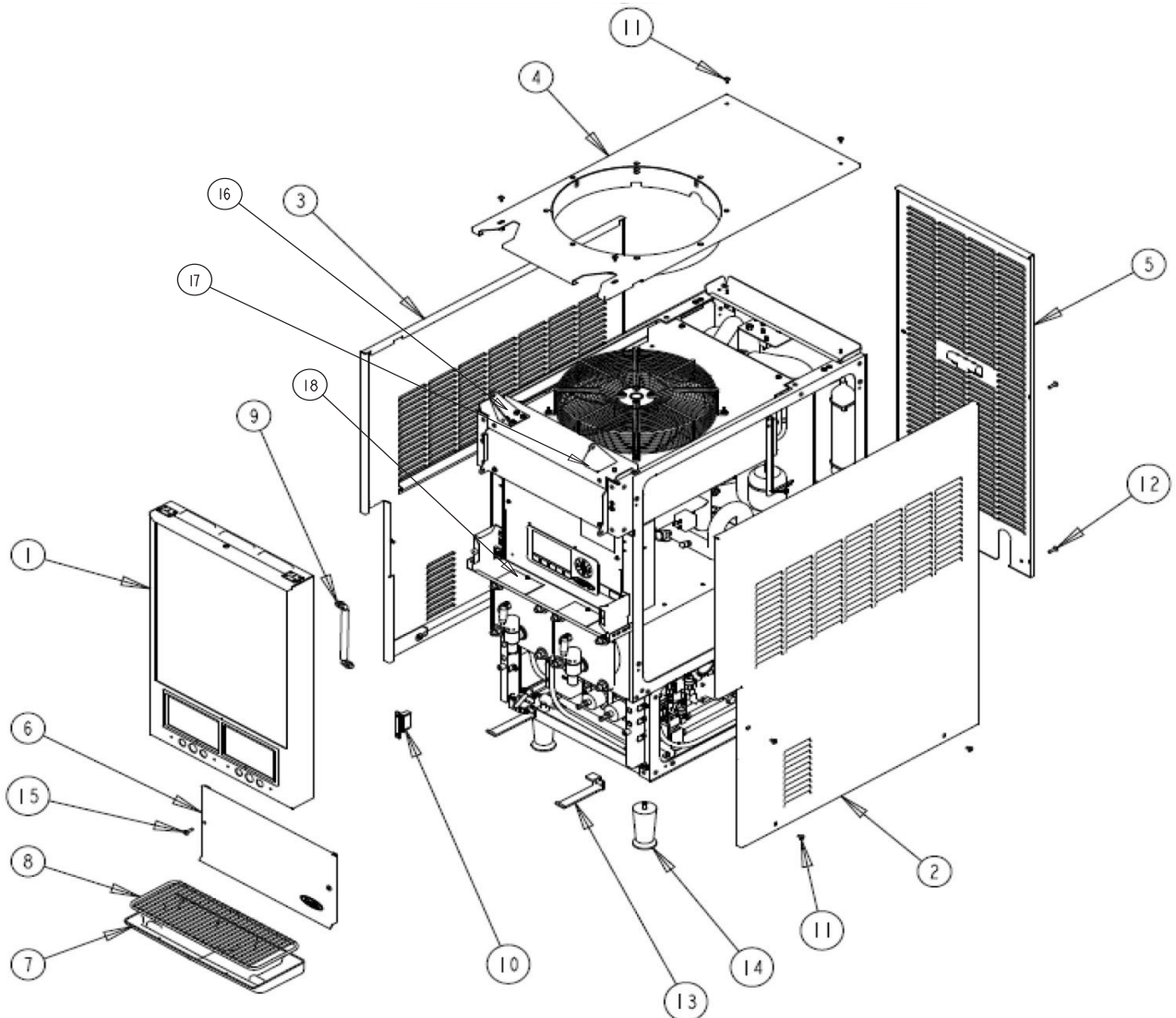


Figure 1. Cladding Assembly Classic model

Table 1. Cladding Assembly Classic model

Item	Part No.	Description
1	620521773	Merchandiser Assy - Tall (See Figure 8.)
	620046773	Merchandiser Assy - Short (See Figure 8.)
2	620054961	Side Panel Right - SS
	620064908	Panel Side Right Hemmed 2FL & 3FL VPR Red
3	620054960	Side Panel Left - SS
	620064909	Panel Side Left Hemmed 2FL & 3FL VPR Red

Table 1. Cladding Assembly Classic model

Item	Part No.	Description
4	620048375	Top Panel 2FL - SS
	620064910 S	Panel Top Cover Assy 2FL Vpr Red
	620049766	Top Panel 2FL - SS (for Short Merchandiser)
	620066542 S	Panel Top Cover Assy 2FL VPR SH Red
5	620053941	Rear Panel 2FL - SS
	620064912 S	Panel Rear Assy 2FL VPR Red
6	629096949	Kit - Splash Panel 2FL
	620064907	Panel Splash Back 2FL VPR Red
	620045237	Panel Splash Back 2FL VPR ICEE
	629096962	Kit - Splash Panel 2FL - Extended
7	620048449	Drip Tray - 2FL

Table 1. Cladding Assembly Classic model

Item	Part No.	Description
8	620716516	Cup Rest - 2FL
9	620054952	Strut Gas 2FL Viper
10	560001783	Latch Door, 2-Piece Plastic
11	620045298	Screw 10-32 X 3/8" Type F TRPH STZI
12	620045297	Screw 10-32 X 3/4" Type F TRPH STZI
13	620054014	Brkt Mtg Tray, Drip 2FL Viper
14	70970	Leg 4.00" Adj 3/8-16 Stud
15	318308000	Screw TR 10-32 Paph 32 SS HRD
16	620053880	Brkt hinge Mtg left 2FL Viper

Table 1. Cladding Assembly Classic model

Item	Part No.	Description
17	620053881	Brkt hinge Mtg Right 2FL Viper
18	620042842	Diffuser Down light Merchandiser 2FL Viper
*	620043017	Cord- Power 230v, 20a L6-20p Viper
*	620047538	Cord Power 230/50 20a Australia

* Indicates Not Shown.

NOTE: When switching merchandiser types (Item #1), correct top panel must also be used. Order Item #4, if necessary.

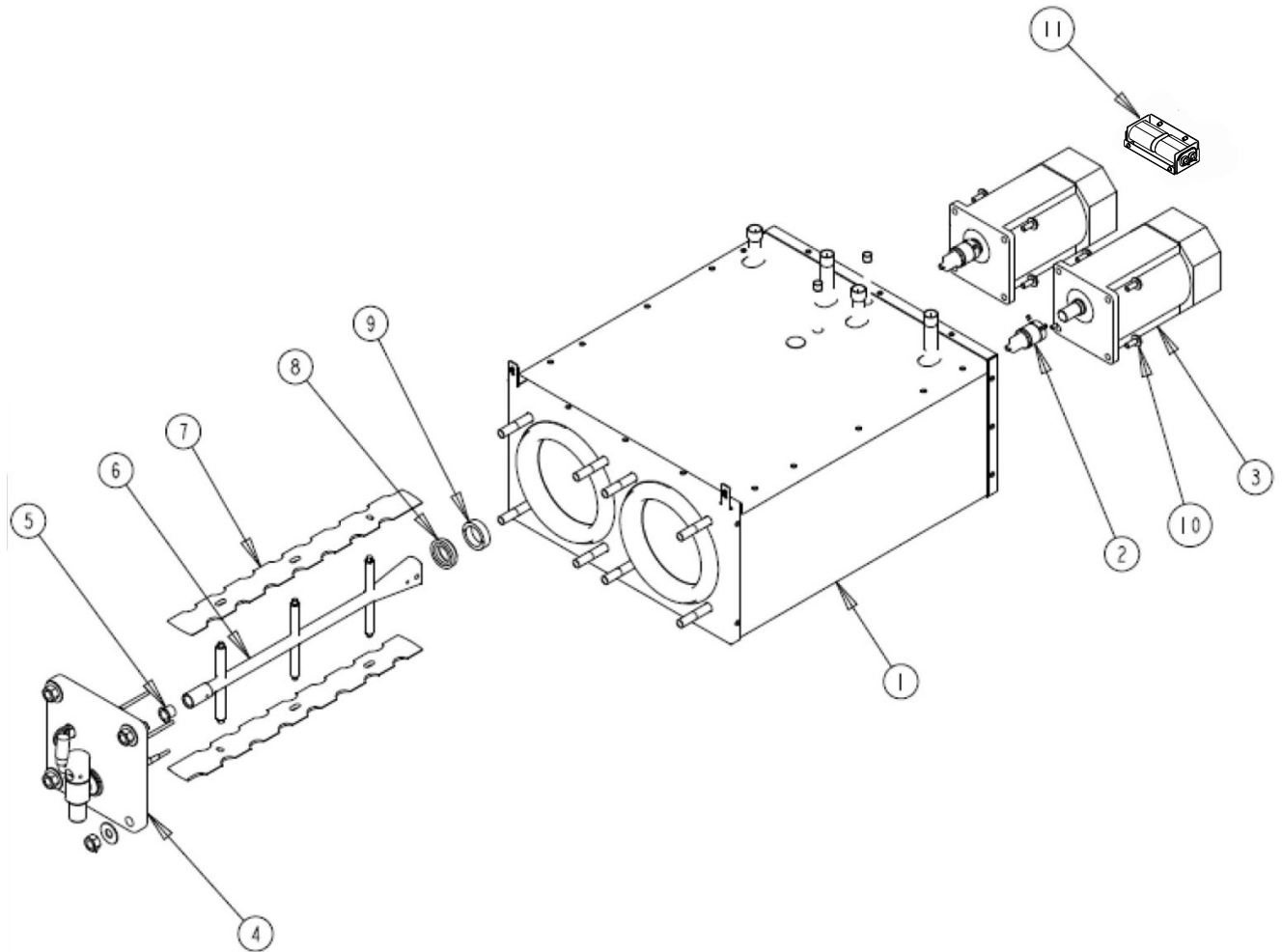


Figure 2. Foam Pack/Drive Assembly

Table 2. Foam Pack/Drive Assembly

Item	Part No.	Description
1	629096939	Kit - Serv Foam Pack Viper 2 Barrel
1+	620073142	Foam Pack Viper 2 Barrel
2	629096854	Kit - Adapter Drive Shaft w/set screw & Dowel
3	620314938	Motor Gear Viper 60HZ
	620314941	Motor Gear Viper 50Hz
4	560004631	Door Frz Cyl Assy Kit SPH (See Figure 3.)
	620057726	Door Frz Cyl Assy Kit Sph Ada
	620045519	Door Frz Cyl Assy Kit Motorman (See Figure 4.)
5	2392	Bushing, Split Flange .501 ID Nylon
6	620715735	Body Beater Viper
7	620049806	Blade Scraper Freeze Cyl Viper

Table 2. Foam Pack/Drive Assembly

Item	Part No.	Description
8	620045383	Seal Viper Barrel (Pack Of 10)
	620043064	Seal Rotary Rubber Viper (Single)
9	620043162	Spacer Plastic for UTEX Seal Viper
10	560003345	Bolt Mach 1/4-20 X 5/8" Slotted Hex STZI
11	629097264	Kit Motor Run Capacitor Viper - 60Hz
	620057820	Capacitor Motor Run Viper 60Hz
	629097265	Kit Motor Run Capac. Vpr 2fl 50hz
	620057821	Capacitor Motor Run Viper 50hz
*	620052296	Plate Motor Mounting

* Indicates Not Shown.
+ R454c Units Only

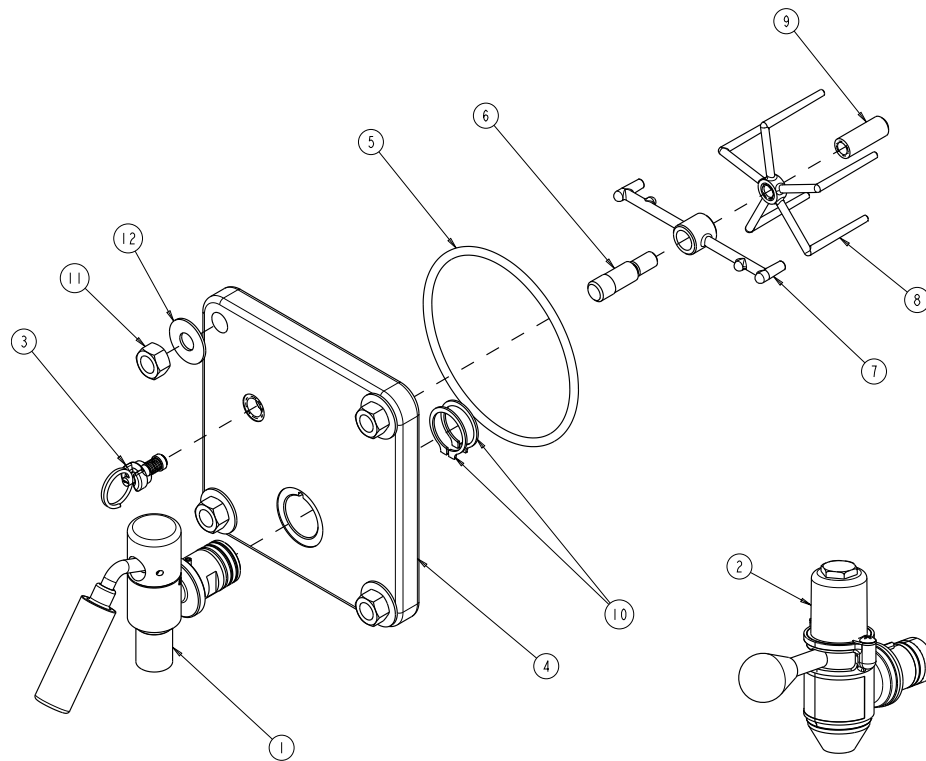


Figure 3. Face plate Assembly

Table 3. Faceplate Assembly

Item	Part No.	Description
1	629097266	Kit Sph-valve Replacement-ada
	629096997	Kit Sph-valve Replacement
2	620045520	Valve Disp Assy Motorman (See Figure 4.)
3	325954000	Stem Assy R-Val FCB
4	325918000	Door Frz Cyl 2FCB Va
5	320678000	O-Ring 4.60ID 210CS 70DU EY-P
6	2361	Shaft Pivot Faceplate FCB V3+
7	321269001	Spinner Frz Cyl
8	322441000	Sensor Visc Mld

Table 3. Faceplate Assembly

Item	Part No.	Description
9	2358	Pin Beater Bar FCB V3+
10	620047188	Retaining Ring
11	320553001	Nut Hex 7/16-14 Brch
12	320916000	Washer Ft 450 1.1 062 SS
*	321652000	Nut- Shank 1-1/16 - 16thd
*	321653000	O-Ring 862ID 103CS 70DU EY-P
*	620047347	Kit SPH-Valve Repair
*	629096997	Kit SPH-Valve Replacement

* Indicates Not Shown.

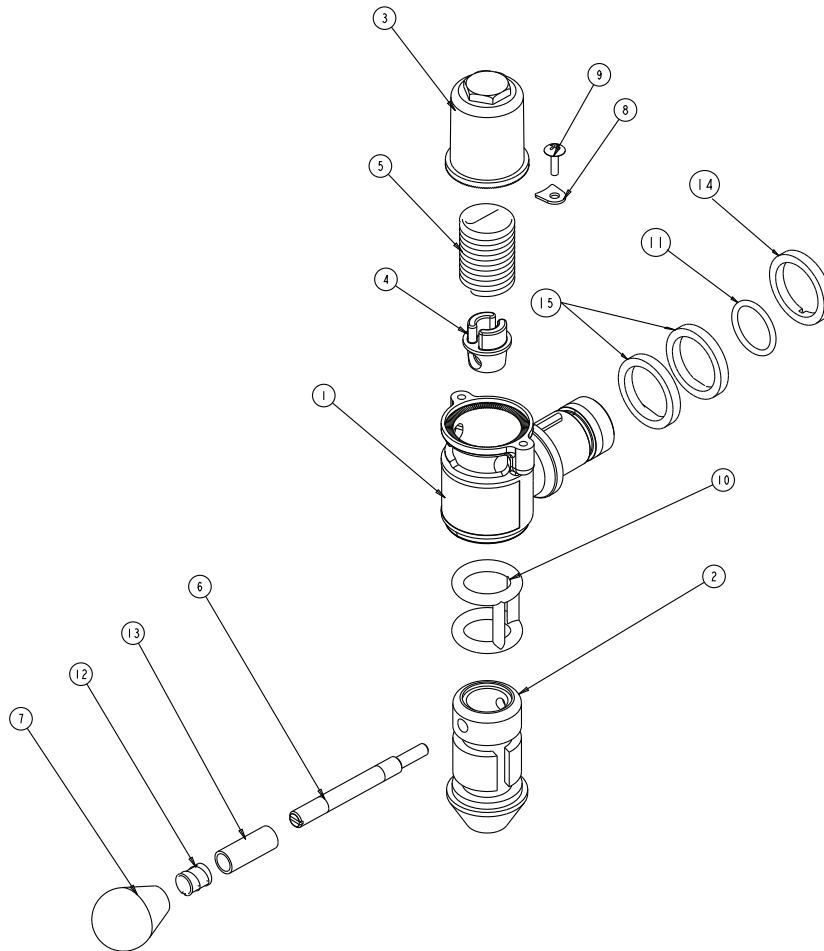


Figure 4. Motorman Valve Assembly

Table 4. Motorman Valve Assembly

Item	Part No.	Description
1	620046168	Body Valve FCB w/Stop
2	1554	Body Valve Ribbed
3	1576	Housing Spring FCB Valve
4	1575	Retainer Spring Valve
5	325305000	Spring Torsion HC FCB
6	321651000	Lever Valve
7	1555	Knob White
8	325647000	Plate Val FCB
9	317784000	Screw, TC 08-18 TRPH 16 SSPA 25

Table 4. Motorman Valve Assembly

Item	Part No.	Description
10	2818	O-Ring Caged FCB Val
11	321653000	O-Ring 862ID 103CS 70DU EY-P
12	1544	Spring Compression .500LG .42OD SS
13	1543	Tube Release .438OD.049 Wall
14	321652000	Nut, Shank 1-1/16 - 16 Thd
15	325936000	Spacer Val 2F FCB VA
*	322859000	Tool-Wrench Spanner

* Indicates Not Shown.

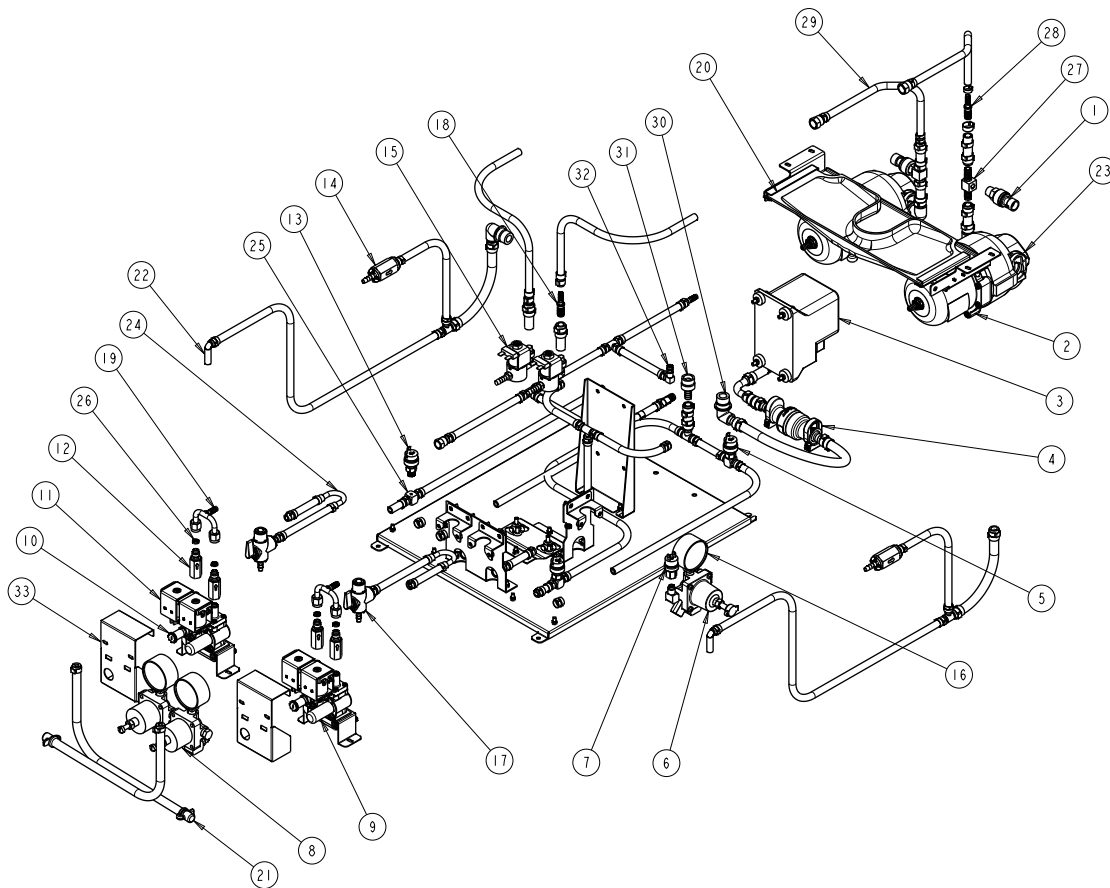


Figure 5. Product Delivery System

Table 5. Product Delivery System

Item	Part No.	Description
1	620059116	Transducer, Barrel Fill - Viper
	629097323	Kit 2 barrel Fill Transducer Viper
2	620061583	Tank Expansion 21.50 OZ FloJet
	629097390	Kit Viper Expansion Tank
3	629096937	Kit-Pump Water FloJet
4	620054693	Reg Water 30 PSIG W 3/8 Fittings
5	620043083	Switch Sold Out Water - Viper
6	183446016	Reg S SQ 30
	910705026	Reg Assy, 1 x 30psi modified for venting
7	620313290	Switch Sold Out CO2-Viper
8	183460016	Reg S SQ 60 RV
	910705025	Reg Assy, 2 x 60psi modified for venting
9	620608747	Valve Solnd Assy Wtr 0.82GPM
10	620608746	Valve Solnd Assy Syr 0.21GPM
11	620313722	Solenoid Pull 24VAC 50/60 C.D.
12	560002991	Valve Chk 7/16F X 7/16M CHUD
13	620313291	Switch Sold Out Syrup - Viper
14	620609162	Valve Chk 1/4 BARB (2) SMC
15	620609161	Valve Sol CO2 KIP
16	183287000	Gage 60PSI 400KPA
17	620609164	Valve Shut-Off 3-Way (Brix valve)

Table 5. Product Delivery System

Item	Part No.	Description
18	620716343	Orifice .030ID SS
19	620720662	Fitg U-brb 1/4 X 1/4 FL (2)
20	3879	Condensation Tray
21	620047684	Cap Vinyl .437 ID with Tether
22	620720663	Fitng-Push L 3/8 Stem X 1/4 Barb
23	620061927	Insulation w/Adhesive Mini Exp Tank
24	77900300	Tube U 1/4 Barb(2) Ss
25	5083	Fitg T-brb 1/4(2) X 1/8fpt
26	178025100	Gasket 1/4 Male Flare Fitg
27	560002700	Fitg T-brb 3/8(2) X 1/8fpt SS
28	77040700	Splicer Barb 250 X 375 Stn Stl
29	620059276	Tube Assy Product Barrel Inlet Vpr
30	620720658	Fitg L-brb 10/13mm X Port FloJet
31	620720673	Fitg Barb 3/8 X Port SS FloJet
32	620720672	Fitg CO2 L-brb 1/4 X Port BR FloJet
33	620045337	Cover flow control solenoid Viper
*	183099000	Kit Repair Reg Secondary
*	620046594	Tube Assy, CO2 Venting 2 FL
*	174478100	1/4" Beverage Tubing X 100' Roll
*	174292100	3/8" Beverage Tubing X 100' Roll
*	620709068	Fitg L-mix 1/4brb X 1/4

* Indicates Not Shown.

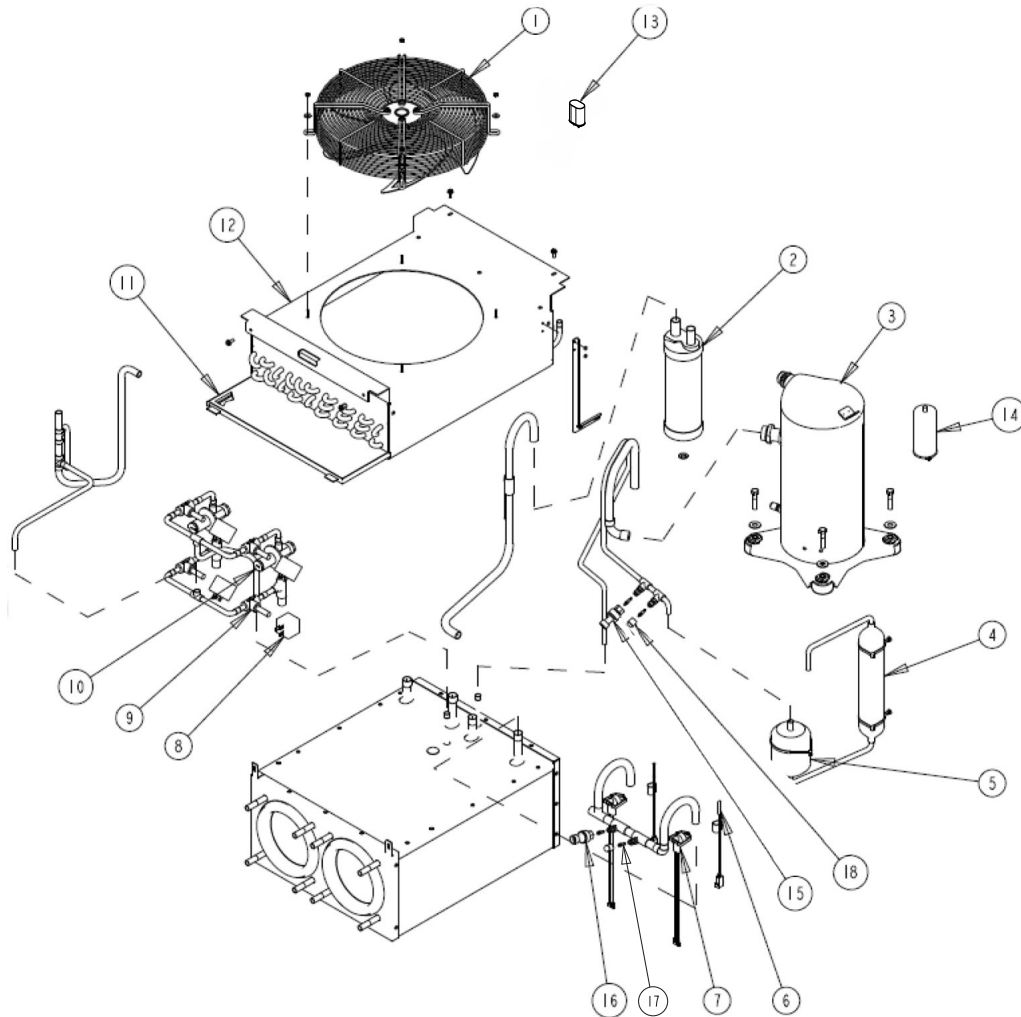


Figure 6. Refrigeration System

Table 6. Refrigeration System

Item	Models with R404a Refrigerant		Models with R448a Refrigerant		Models with R454c Refrigerant	
	Part No.	Description	Part No.	Description	Part No.	Description
1	629096902	Kit Condenser Fan Viper 50/60Hz	620073140	Fan Condenser Viper	620073140	Fan Condenser Viper
2	620045372	Accum Suction Foamed Viper	620045372	Accum Suction Foamed Viper	620045372	Accum Suction Foamed Viper
3	629096856	Kit-Comp ZB15KCE-PFJ R404a (60Hz)	620072509	Comp ZS15KAE-PFV R448a (60Hz)		
	629096855	Kit-Comp ZB19KCE-PFV R404a (50Hz)	620071569	Comp ZSKAE-PFJ R448a (50Hz)	620073150	COMP YS17KAE-PFJ R454c (50Hz)
4	620607806	Receiver, Cop. Spun 26CU In 3/8 ODF	620607806	Receiver, Cop. Spun 26CU In 3/8 ODF	620607806	Receiver, Cop. Spun 26CU In 3/8 ODF
5	60686	Dryer 27 IN3 Sngl 381ID R404	60686	Dryer 27 IN3 Sngl 381ID R404	60686	Dryer 27 IN3 Sngl 381ID R404
6	629096938	Kit-Sensor Thermistor 5K Ohm Viper	629096938	Kit-Sensor Thermistor 5K Ohm Viper	629096938	Kit-Sensor Thermistor 5K Ohm Viper
7	629096942	Kit-Sw. Therm. C/O Leaded Set 120F TCO	629096942	Kit-Sw. Therm. C/O Leaded Set 120F TCO	629096942	Kit-Sw. Therm. C/O Leaded Set 120F TCO
8	620313726	Solenoid Coil EVU 24VAC 50/60HZ	620313726	Solenoid Coil EVU 24VAC 50/60HZ	620313726	Solenoid Coil EVU 24VAC 50/60HZ
9	620609157	Valve, Solenoid EVU-3 Hot Gas and Liquid line	620609157	Valve, Solenoid EVU-3 Hot Gas and Liquid line	620609157	Valve, Solenoid EVU-3 Hot Gas and Liquid line
10	620609156	Valve, Expansion Automatic A7-B	620071188	Valve, Expansion Automatic R448a	620073136	VALVE EXPAN AUTO VPR R454C
11	620608615	Filter, Air 15.00" X 18.00" Viper	620608615	Filter, Air 15.00" X 18.00" Viper	620608615	Filter, Air 15.00" X 18.00" Viper
12	620608013	Cond-Coil Assy - Viper	620071571	Cond 4 Row 2FL R448A Viper	620071571	Cond 4 Row 2FL R448A Viper
13	620057820	Capacitor Fan Run Viper	620057820	Capacitor Fan Run Viper	620057820	Capacitor Fan Run Viper
14	620314322	Cap., Comp Run 40uF 370VAC Stud-Mnt-60Hz	620314322	Cap., Comp Run 40uF 370VAC Stud-Mnt-60Hz	620314322	Cap., Comp Run 40uF 370VAC Stud-Mnt-60Hz
	620314319	Cap., Comp Run 45uF 370VAC Stud-Mnt-50Hz	620314319	Cap., Comp Run 45uF 370VAC Stud-Mnt-50Hz	620314319	Cap., Comp Run 45uF 370VAC Stud-Mnt-50Hz
15	620314540	Sensor Transducer 500 PSI Refrig	620314540	Sensor Transducer 500 PSI Refrig	620314540	Sensor Transducer 500 PSI Refrig
16	620314539	Sensor Transducer 300 PSI Refrig	620314539	Sensor Transducer 300 PSI Refrig	620314539	Sensor Transducer 300 PSI Refrig
17	620057494	CORE VALVE RFG 800PSI STD HNBR	620057494	CORE VALVE RFG 800PSI STD HNBR	620057494	CORE VALVE RFG 800PSI STD HNBR
18	315499000	Cap Quick Seal 1/4	315499000	Cap Quick Seal 1/4	315499000	Cap Quick Seal 1/4
19	n/a	n/a	620072408	Switch Thermostat R448A	n/a	n/a
20	n/a	n/a	620070866	TXV Tub 1/4" IN 1/2" OUT	n/a	n/a

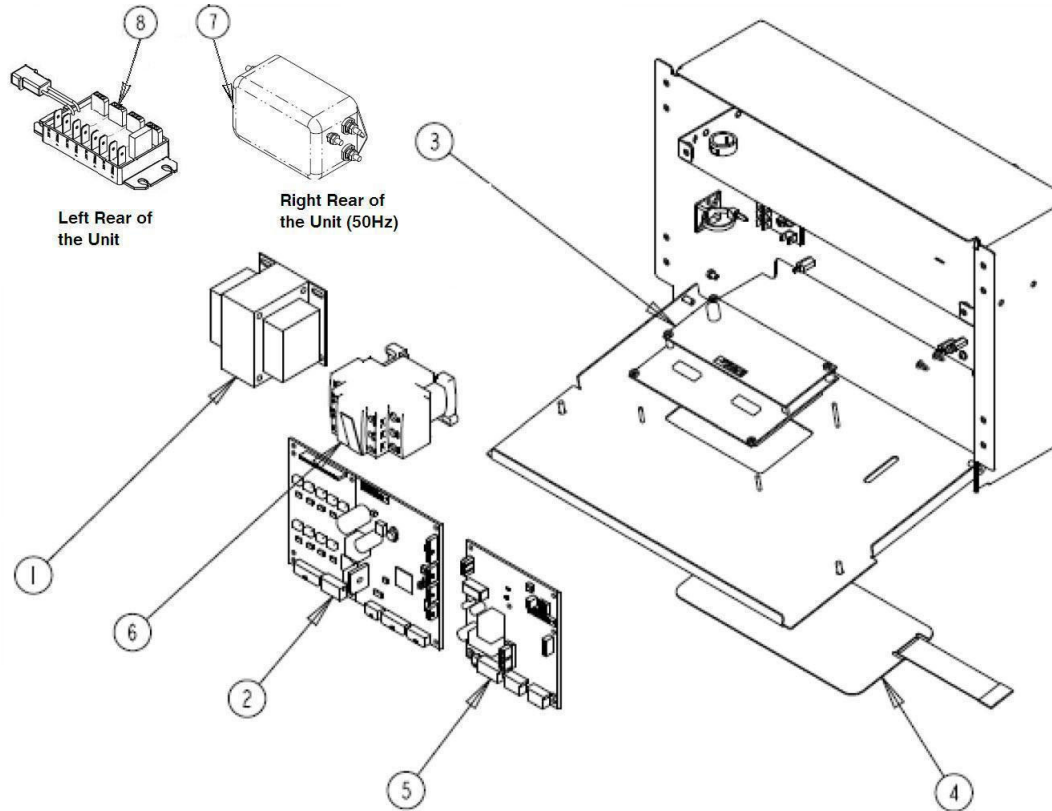


Figure 7. E-Box Assembly

Table 7. E-Box Assembly

Item	Part No.	Description
1	620710739S	Transformer 60+75VA 240V:24V 50/60HZ
2	620314869-100S	Kit-Board Viper Ctl_Main I/O Board Ver. 3
3	620314871-100S	Kit-Board Viper Ctl_U/I Board Ver. 3
4	629096275S	Kit-Key Pad Ctl Viper
5	620314868-100S	Kit-Board Viper Ctl_Motor Control Board
6	620314029	Relay Compressor 24VAC Coil 600VAC Contacts
7	560003953	Filter, RFI Single Phase 50 Hz.
8	620047160-200	Board, PCBA 0-50 psig

Table 7. E-Box Assembly

Item	Part No.	Description
*	629096930TC	Kit, Language Chip - Chinese Traditional UI Software Ver. 2
*	629096930SC	Kit, Language Chip - Chinese Simple UI Software Ver. 2
*	629096931TC	Kit, Language Chip - Chinese Traditional UI Software Ver. 3
*	629096931SC	Kit, Language Chip - Chinese Simple UI Software Ver. 3
*	629096931KR	Kit, Language Chip - Korean UI Software Ver. 3
*	629096931SP	Kit, Language Chip - Spanish UI Software Ver. 3
*	629096931JP	Kit, Language Chip - Japanese UI Software Ver. 3
*	629096931FR	Kit, Language Chip - French UI Software Ver. 3
*	629096931LOFR	Kit, Language Chip - Low overrun French UI Software Ver. 3

* Indicates Not Shown.

Table 8. Harness Assemblies (Not Shown)

Item	Part No.	Description
*	620323046	Harness Main E-Box I/O PCBA to Sold-Out Switches Ctl
*	620323147	Harness Main E-Box I/O PCBA to Thermistors Ctl
*	620323247	Harness Main E-Box I/O PCBA to 24VAC Strip
*	620323348	Harness Left Hand Motor
*	620323662	Harness Main E-Box I/O PCBA to ACBALoads Ctl
*	620323663	Harness Main E-Box I/O PCBA to LCD User Interface PCBA
*	620323664	Harness Main E-Box 24VAC Strip to Motor PCBA
*	620323665	Harness Main E-Box I/O PCBA to Motor Control PCBA
*	620323667	Harness Main E-Box Mtr Control to 240VAC Supply Power
*	620323669	Harness Power E-Box 240VAC Compressor Capacitor
*	620323679	Harness Condenser Fan
*	620323700	Harness Main E-Box to TCO
*	620323706	Harness Right Hand Motor
*	620323729	Harness Dual Pressure Transducer
*	620323738	Harness Main E-Box to Transformer
*	620056073	Harness Barrel Fill Switch
*	620047350	Harn Press Sensor Packard To Molex Mirco-fit 3.0 20"
*	620047351	Harn 24vac 1/4" Fast-ons To Amp Mate-n-lock 36"
#*	620072490	Harn PCBA to AC Loads Viper R448a 2FL
#*	620071842	Power Cable - Molded Plug

* Indicates Not Shown.

#* Applies to R448a Units only

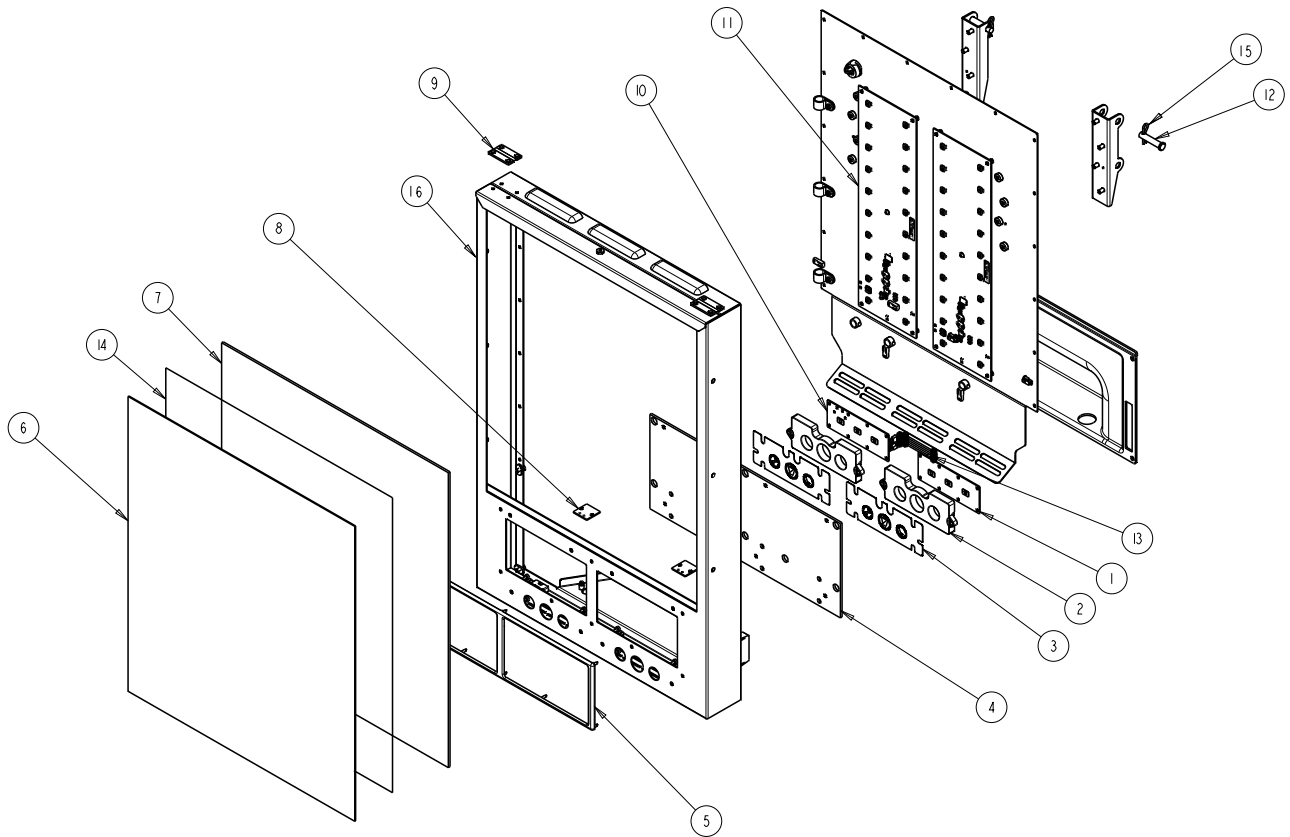


Figure 8. Merchandiser Assembly Classic model

Table 9. Merchandiser Assembly Classic model

Item	Part No.	Description
1	620314875	Kit-Board Viper Ctl Barrel Status Extender
2	620518917	Plate Mtg Viper Ctl Barrel Status
3	620928781	Graphic Board Viper Ctl Barrel Status
4	620719211	Diffuser Flavor Card 2FL Viper
5	560006589	Display Flavor Card CT PCL
6	620520638	Lens Graphic Merchandiser 2FL Viper
	620046772	Lens Graphic Merchandiser 2FL Viper - Short
7	620719212	Kit-Diffuser Merchandiser 2FL Viper
	620046770	Diffuser Merchandiser 2FL Viper - Short
8	620521775	Kit-Merchandiser Assy Downlight PCBA
9	629096926	Kit-Hinge Plastic Merchandiser Viper 2Pcs
10	620314874	Kit-Board Viper Ctl_Barrel Status
11	620061825	Merchndsr Assy Backlight PCBA W/ LED Circuit
	629097424	Kit LED Backlight Merch 2 FL Viper
12	629096936	Kit-Pin Hinge Viper 2Pcs

Table 9. Merchandiser Assembly Classic model

Item	Part No.	Description
13	620323668	Harness Main LED Status to Extender LED Status
14	620042822	Graphics Viper 2FL
	620047178	Graphics Viper 2FL - Short
15	398034400	Pin HTCH 080D 1.562 STZI
16	620049621	Merchndsr Box Weldment 2fl Viper Tall
	620046775	Merchndsr Short Box Weldment 2fl Vpr
*	620042868	Flavor Card - 18 Card Set
*	620046771	Hinge for Short Merchandiser Viper
*	620052148	Card Flavor BP Viper
*	620051378	Card Flavor Coke Viper
*	620051379	Card Flavor Pepsi Viper
*	620055021	Card Flavor Viper Hs
*	620065324	Card Flavor Viper 6.5 x 4.0 - BK
*	620061826	Harn Merchndsr Viper Led Backlight
*	620043061	Harness Main E-Box I/O to Main Status LED Merchandiser

* Indicates Not Shown.

Cornelius
www.cornelius.com