

# **Ice-O-Matic**

Ice. Pure and Simple™

## **SERVICE PARTS MANUAL**

**CIM 22 INCH WIDE SERIES CIM0320,  
CIM326, CIM0520, CIM526,  
CIM0325 and CIM0525**







This parts list contains the service parts available for the following CIM Series.

**CIM0320 115/60/1**

**CIM0325 220-240/50/1**

**CIM0326 208-230/60/1**

**CIM0520 115/60/1**

**CIM0526 208-230/60/1**

**CIM0525 220-240/50/1**

**Model Number Example**

**CIM0320HA**

**CIM** = **C**uber **I**ce **M**achine

**03** = 300 lb, in 24 hours capacity

**2** = 22 inch wide cabinet

**0** = 115 Volt, **5** = 220-240/50/1 **6** = 208-230/60/1 Volt

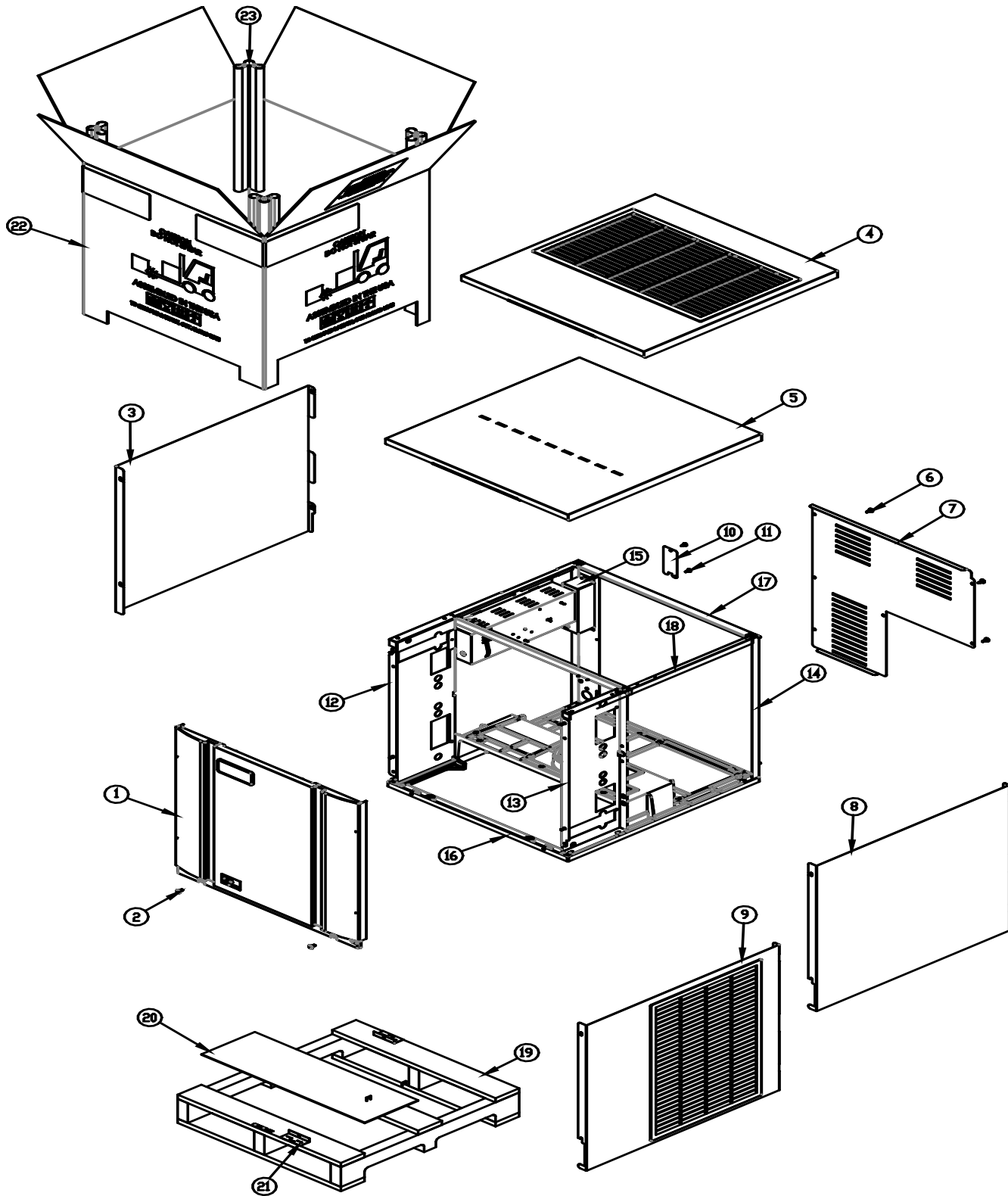
**H** = Half Cube Size, **F** = Full Cube Size

**A** = Air Cooled Condenser, **W** = Water Cooled Condenser

**Check the model number on the data plate and refer to the correct listing for the specific component.**

Check carefully that the correct part is identified and ordered.

<b>Table of Contents</b>	<b>Page 1</b>
<b>Cabinet</b>	<b>Page 2-3</b>
<b>Water System</b>	<b>Page 4-5</b>
<b>Air Cooled Condenser</b>	<b>Page 6-7</b>
<b>Water Cooled Condenser</b>	<b>Page 8-9</b>
<b>Remote Condenser</b>	<b>Page 10-11</b>
<b>Electrical</b>	<b>Page 12-13</b>



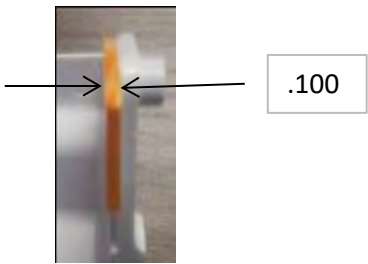
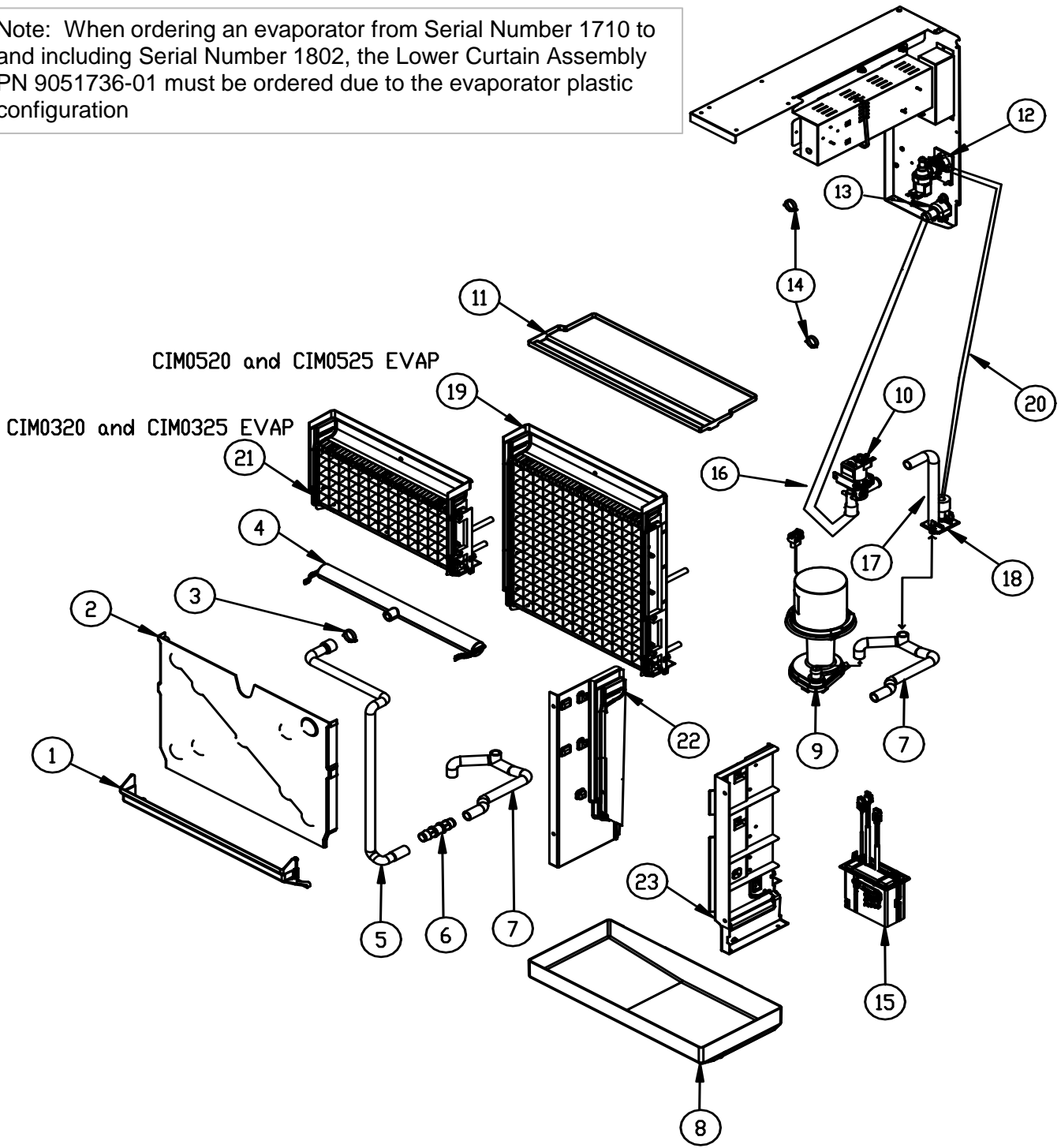
# CIM Service Parts

# Cabinet

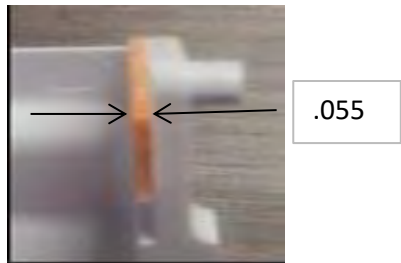
Item No.	Model Number				Description	
	CIM0320	CIM0326		CIM0520		CIM0526
1	2031543-01S	2031543-01S		2031543-01S	2031543-01S	Front Panel
2	9031237-01P	9031237-01P		9031237-01P	9031237-01P	Front Panel Screws
3	3022007-02	3022007-02		3022007-02	3022007-02	Left Side Side Panel
4	2101496-01S	2101496-01S		2101496-01S	2101496-01S	Top Panel-Air Cooled
5	3022012-01	3022012-01		3022012-01	3022012-01	Top Panel- Water Cooled
6	9031046-01P	9031046-01P		9031046-01P	9031046-01P	Rear Cover Screws
7	3013634-01	3013634-01		3013634-01	3013634-01	Rear Cover
8	3022007-03	3022007-03		3022007-03	3022007-03	Right Side Panel-Water Cooled
9	2101495-01S	2101495-01S		2101495-01S	2101495-01S	Right Side Panel-Air Cooled
10	3013674-01	3013674-01		3013674-01	3013674-01	Junction Box Cover
11	9031046-01	9031046-01		9031046-01	9031046-01	Junction Box Screw
12	2021784-01	2021784-01		2021784-01	2021784-01	Front Left Brace
13	2021785-01	2021785-01		2021785-01	2021785-01	Front Right Brace
14	2021782-01	2021782-01		2021782-01	2021782-01	Right Side Rear Corner
15	2101494-01	2101494-01		2101494-01	2101494-01	Junction Box
16	9051725-01	9051725-01		9051725-01	9051725-01	Base
17	3013636-01	3013636-01		3013636-01	3013636-01	Rear Brace
18	3013691-01	3013691-01		3013691-01	3013691-01	Top Right Framework
19	9011369-03	9011369-03		9011369-03	9011369-03	Elevation Skid 22 Inch
20	9011378-02	9011378-02		9011378-02	9011378-02	Carton Liner 22 Inch
21	9051765-01	9051765-01		9051765-01	9051765-01	Shipping Bracket 2 Req. (Field Installed)
22	9011374-01	9011374-01		9011374-01	9011374-01	Carton, Elevation 22 Inch
23	9011320-15	9011320-15		9011320-15	9011320-15	Corner Post (Each), Elevation, (4 Required)
	9031026-04P	9031026-04P		9031026-04P	9031026-04P	Pop Rivets Not Shown ( Package of 10)
	115/60/1	208-230/60/1		115/60/1	208-230/60/1	← Voltage

Item No.	Model Number				Description
	CIM0335			CIM0535	
1	2031543-01S			2031543-01S	Front Panel
2	9031237-01P			9031237-01P	Front Panel Screws
3	3022007-02			3022007-02	Left Side Side Panel
4	2101496-01S			2101496-01S	Top Panel-Air Cooled
5	NA			3022012-01	Top Panel- Water Cooled
6	9031046-01P			9031046-01P	Rear Cover Screws
7	3013634-01			3013634-01	Rear Cover
8	3022007-03			3022007-03	Right Side Panel-Water Cooled
9	2101495-01S			2101495-01S	Right Side Panel-Air Cooled
10	3013674-01			3013674-01	Junction Box Cover
11	9031046-01			9031046-01	Junction Box Screw
12	2021784-01			2021784-01	Front Left Brace
13	2021785-01			2021785-01	Front Right Brace
14	2021782-01			2021782-01	Right Side Rear Corner
15	2101494-02			2101494-02	Junction Box
16	9051725-01			9051725-01	Base
17	3013636-01			3013636-01	Rear Brace
18	3013691-01			3013691-01	Top Right Framework
19	9011369-03			9011369-03	Elevation Skid 22 Inch
20	9011378-02			9011378-02	Carton Liner 22 Inch
21	9051765-01			9051765-01	Shipping Bracket 2 Req. (Field Installed)
22	9011374-01			9011374-01	Carton, Elevation 22 Inch
23	9011320-15			9011320-15	Corner Post (Each), Elevation, (4 Required)
24	9031026-04P			9031026-04P	Pop Rivets Not Shown ( Package of 10)
	220-240/50/1			220-240/50/1	← Voltage

Note: When ordering an evaporator from Serial Number 1710 to and including Serial Number 1802, the Lower Curtain Assembly PN 9051736-01 must be ordered due to the evaporator plastic configuration



1051225-01A



1051225-02

**Lower Curtain Dimensions**

# CIM Service Parts

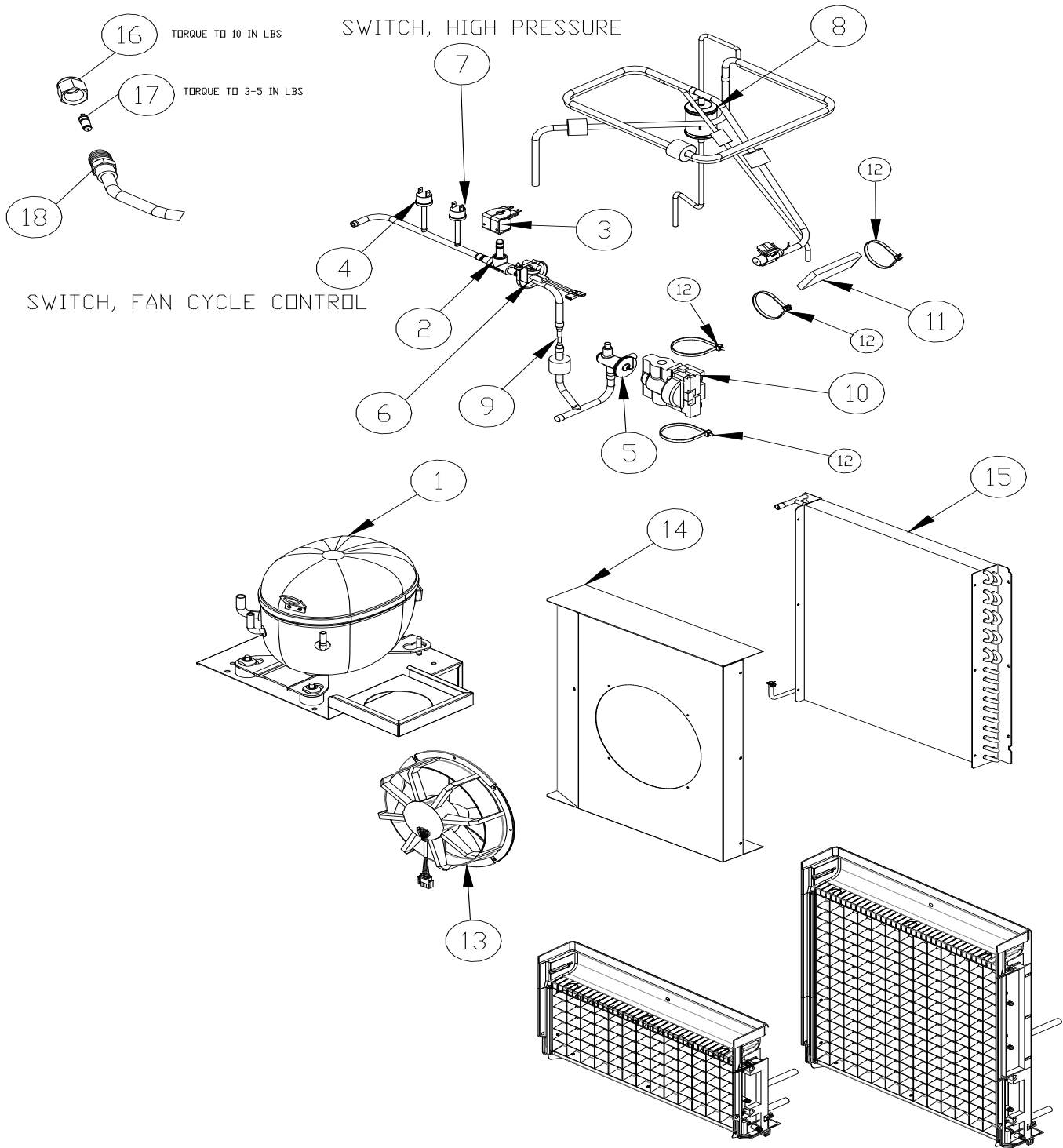
# Water System

**Important-Check the CIM Model Number and Serial Number when ordering the Lower Curtain**

Item No.	Model Number				Description	
	CIM0320	CIM0326		CIM0520		CIM0526
1	9051823-01	9051823-01		9051823-01	9051823-01	Lower Curtain Assembly From SN 1803
1	1051225-02	1051225-02		1051225-02	1051225-02	Lower Curtain Assembly From SN 1801 to 1802
1	1051225-01A	1051225-01A		1051225-01A	1051225-01A	Lower Curtain Assembly From SN 1710 to 1712
2	9051726-01	9051726-01		9051726-02	9051726-02	Evaporator Cover
3	9021010-05	9021010-05		9021010-05	9021010-05	Hose Clamp, Plastic
4	9051766-01	9051766-01		9051766-01	9051766-01	Water Distribution Tube Assembly
5	9051749-01	9051749-01		9051749-02	9051749-02	Water Tube, Upper
6	9091177-01	9091177-01		9091177-01	9091177-01	Coupler, Straight, 5/8 I.D. Tubing
7	9051748-01	9051748-01		9051748-01	9051748-01	Water Tube, Sump
8	9051737-01	9051737-01		9051737-01	9051737-01	Sump/Water Trough
9	2062336-01S	2062336-02S		2062336-01S	2062336-02S	Water Pump
10	9041105-04	9041105-05		9041105-04	9041105-05	Purge Valve
11	9051738-01	9051738-01		9051738-01	9051738-01	Top Cover
12	9041108-01	9041108-02		9041108-01	9041108-02	Water Inlet Valve
13	9091140-01	9091140-01		9091140-01	9091140-01	Drain Fitting
14	9021010-04	9021010-04		9021010-04	9021010-04	Hose Clamp, Plastic
15	1051224-01	1051224-01		1051224-01	1051224-01	Float Switch Assembly (Includes Instructions)
16	3051269-30S	3051269-30S		3051269-30S	3051269-30S	Purge Valve Tubing to Drain
17	9051541-01	9051541-01		9051541-01	9051541-01	Purge Valve Tube to Inlet Outlet Bracket
18	9051739-01	9051739-01		9051739-01	9051739-01	Inlet Outlet Bracket
19/21	1051320-01	1051320-01		1051340-01	1051340-01	Evaporator-FULL Cube = 7/8 x 7/8 x 7/8
19/21	1051320-02	1051320-02		1051340-02	1051340-02	Evaporator-HALF Cube = 3/8 x 7/8 x 7/8
20	9051270-36	9051270-36		9051270-36	9051270-36	Water Inlet Valve to Inlet Outlet Bracket Tube
22	9051729-01	9051729-01		9051729-01	9051729-01	Evaporator Support Left Hand
23	9051730-01	9051730-01		9051730-01	9051730-01	Evaporator Support Right Hand
	115/60/1	208-230/60/1		115/60/1	208-230/60/1	← Machine Voltage

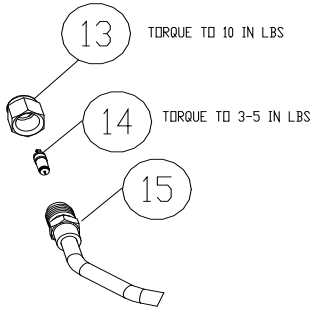
Item No.	Model Number				Description
	CIM0325			CIM0525	
1	9051823-01			9051823-01	Lower Curtain Assembly From SN 1803
1	1051225-02			1051225-02	Lower Curtain Assembly From SN 1801 to 1802
1	1051225-01A			1051225-01A	Lower Curtain Assembly From SN 1710 to 1712
2	9051726-01			9051726-02	Evaporator Cover
3	9021010-05			9021010-05	Hose Clamp, Plastic
4	9051766-01			9051766-01	Water Distribution Tube Assembly
5	9051749-01			9051749-02	Water Tube, Upper
6	9091177-01			9091177-01	Coupler, Straight, 5/8 I.D. Tubing
7	9051748-01			9051748-01	Water Tube, Sump
8	9051737-01			9051737-01	Sump/Water Trough
9	2062336-02S			2062336-02S	Water Pump Assembly
10	9041105-05			9041105-05	Purge Valve
11	9051738-01			9051738-01	Top Cover
12	9041108-01			9041108-02	Water Inlet Valve
13	9091140-01			9091140-01	Drain Fitting
14	9021010-04			9021010-04	Hose Clamp, Plastic
15	1051224-01			1051224-01	Float Switch Assembly (Includes Instructions)
16	3051269-30S			3051269-30S	Purge Valve Tubing to Drain
17	9051541-01			9051541-01	Purge Valve Tube to Inlet Outlet Bracket
18	9051739-01			9051739-01	Inlet Outlet Bracket
19/21	1051320-01			1051340-01	Evaporator-FULL Cube = 7/8 x 7/8 x 7/8
19/21	1051320-02			1051340-02	Evaporator-HALF Cube = 3/8 x 7/8 x 7/8
20	9051270-36			9051270-36	Water Inlet Valve to Inlet Outlet Bracket Tube
22	9051729-01			9051729-01	Evaporator Support Left Hand
23	9051730-01			9051730-01	Evaporator Support Right Hand
	220/50/1			220/50/1	← Machine Voltage



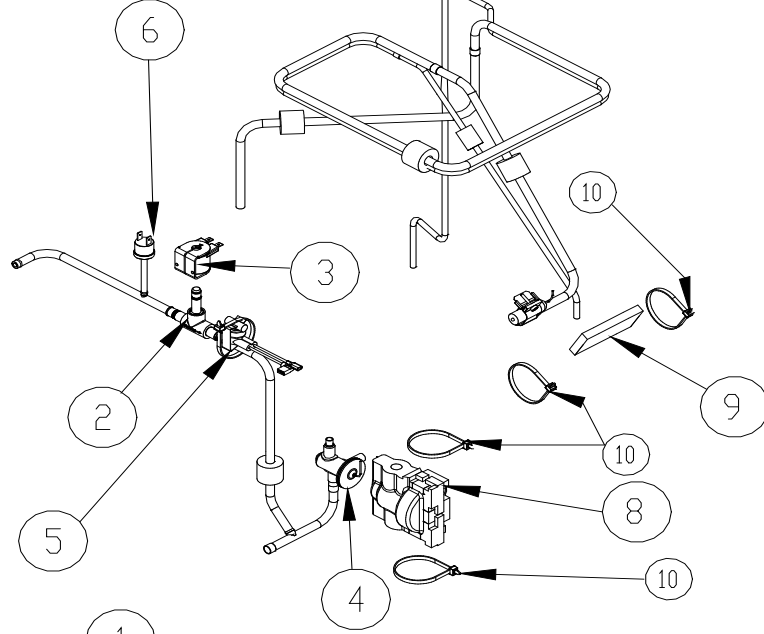


Item No.	Model Number				Description	
	CIM0320A	CIM0326A		CIM0520A		CIM0526A
1	9181163-101	9181164-101		9181137-11B	9181170-11	Compressor Kit
2	9151192-03	9151192-03		9151192-01	9151192-01	Hot Gas Valve Body
3	9151193-01	9151193-02		9151193-01	9151193-02	Hot Gas Valve Coil
4	9041106-01	9041106-01		9041106-01	9041106-01	Switch, Fan Cycle
5	9151154-101	9151149-101		9151149-101	9151149-101	TXV
6	9041098-02	9041098-02		9041098-02	9041098-02	High Temp Switch
7	9041111-01	9041111-01		9041111-01	9041111-01	Switch, High Pressure
8	9151163-01	9151163-01		9151163-01	9151163-01	Drier (Included in Compressor Kit)
9	9091179-01	9091179-01		9091179-01	Not Used	Restrictor
10	9131544-01	9131544-01		9131544-01	9131544-01	Insulation, TXV
11	9131143-07	9131143-07		9131143-07	9131143-07	Insulation, Bulb
12	9021021-01	9021021-01		9021021-01	9021021-01	Cable Tie-For TXV and Bulb Insulation
13	9161135-01	9161135-02		9161135-01	9161135-02	Fan Motor Assembly
14	3013639-01	3013639-01		3013639-01	3013639-01	Fan Shroud
15	9141152-01	9141152-01		9141152-01	9141152-01	Condenser
16	9091086-03	9091086-03		9091086-03	9091086-03	Service Valve Cap
17	9091086-02	9091086-02		9091086-02	9091086-02	Service Valve Core
18	9091086-01	9091086-01		9091086-01	9091086-01	Service Valve Stem
	115/60/1	208-230/60/1		115/60/1	208-230/60/1	← Machine Voltage
	CIM0330A	CIM0326A		CIM0520A	CIM0526A	Starting Components (Included in Comp Kit)
	9181163-101	9181164-101		9181137-11B	9181170-11	Compressor Kit
	9181003-50	9181003-26		9181003-50	9181003-54	Start Capacitor
	9181009-25	9181009-08		9181009-25	9181009-09	Run Capacitor
	9181010-33	9181010-27		9181010-14	9181010-27	Compressor Relay
	9181005-49	9181005-50		9181005-45	9181005-48	Overload

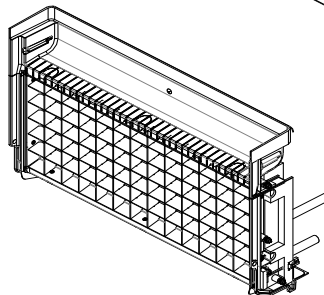
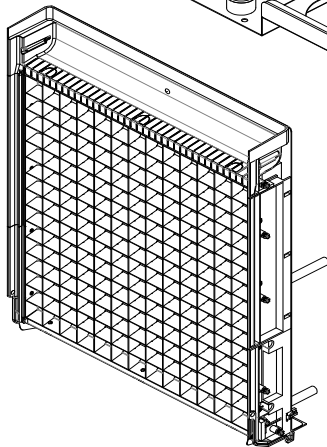
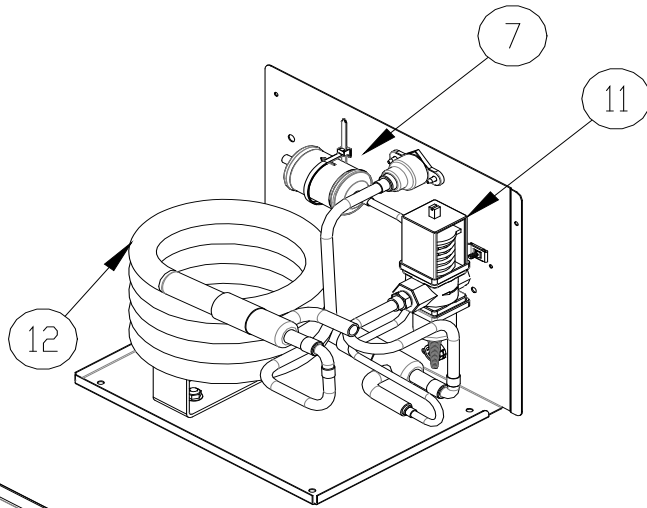
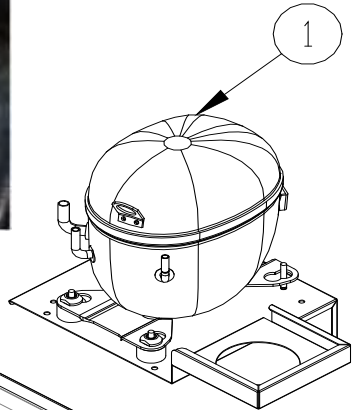
Item No.	Model Number				Description
	CIM0325A			CIM0525A	
1	9181165-101			9181166-11	Compressor Kit
2	9151192-03			9151192-01	Hot Gas Valve Body
3	9151193-02			9151193-02	Hot Gas Valve Coil
4	9041106-01			9041106-01	Switch, Fan Cycle
5	9151154-101			9151149-101	TXV
5	9151205-01			9151205-01	TXV - R449A UNITS
6	9041098-02			9041098-02	High Temp Switch
7	9041111-01			9041111-01	Switch, High Pressure
8	9151163-01			9151163-01	Drier (Included in Compressor Kit)
9	9091179-01			9091179-01	Restrictor
10	9131544-01			9131544-01	Insulation, TXV
11	9131143-07			9131143-07	Insulation, Bulb
12	9021021-01			9021021-01	Cable Tie-For TXV and Bulb Insulation
13	9161135-02			9161135-02	Fan Motor Assembly
14	3013639-01			3013639-01	Fan Shroud
15	9141152-01			9141152-01	Condenser
16	9091086-03			9091086-03	Service Valve Cap
17	9091086-02			9091086-02	Service Valve Core
18	9091086-01			9091086-01	Service Valve Stem
	220/50/1			220/50/1	← Machine Voltage
	CIM0325A			CIM0525A	Starting Components (Included in Comp Kit)
	9181165-101			9181166-11	Compressor Kit
	9181003-54			9181003-32	Start Capacitor
	9181009-26			9181009-28	Run Capacitor
	9181010-27			9181010-34	Compressor Relay
	9181005-50			9181005-51	Overload



SWITCH, HIGH PRESSURE



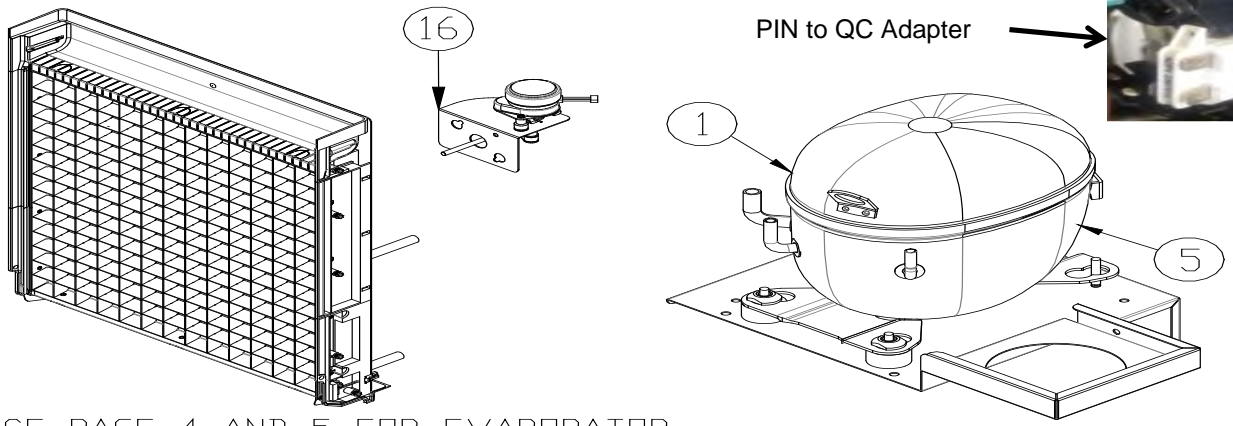
PIN to QC Adapter



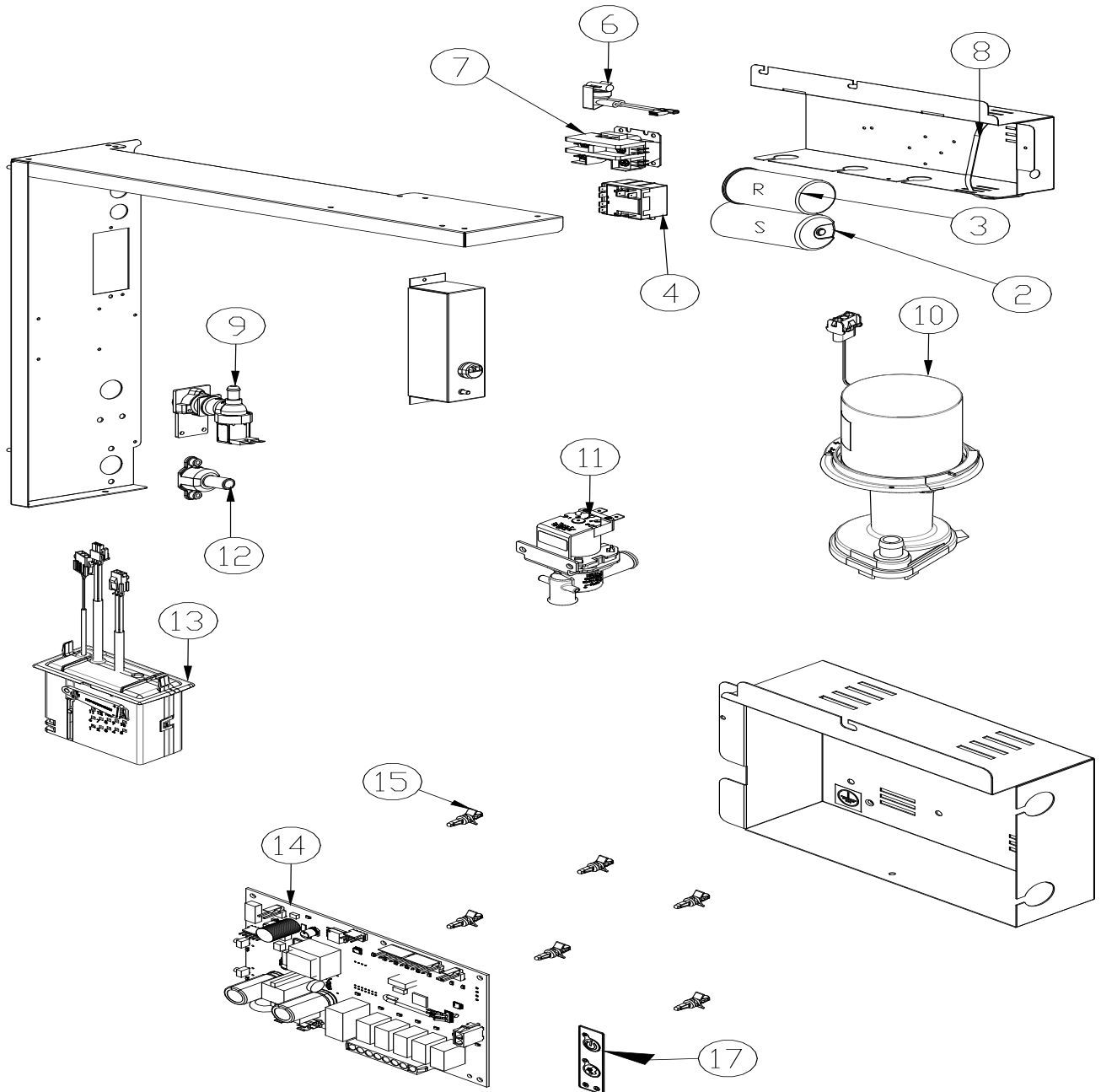
REFERENCE PAGE 4 AND 5 FOR EVAPORATOR

Item No.	Model Number				Description	
	CIM0320W	CIM0326W		CIM0520W		CIM0526W
1	9181163-101	9181164-101		9181137-11B	9181170-11	Compressor Kit
2	9151192-03	9151192-03		9151192-03	9151192-03	Hot Gas Valve Body
3	9151193-01	9151193-02		9151193-01	9151193-02	Hot Gas Valve Coil
4	9151154-101	9151149-101		9151149-101	9151149-101	TXV
5	9041098-02	9041098-02		9041098-02	9041098-02	High Temp Switch
6	9041111-01	9041111-01		9041111-01	9041111-01	Switch, High Pressure
7	9151163-01	9151163-01		9151163-01	9151163-01	Drier <b>(Included in Compressor Kit)</b>
8	9131544-01	9131544-01		9131544-01	9131544-01	Insulation, TXV
9	9131143-07	9131143-07		9131143-07	9131143-07	Insulation, Bulb
10	9021021-01	9021021-01		9021021-01	9021021-01	Cable Tie-For TXV and Bulb Insulation
11	9051104-01	9051104-01		9051104-01	9051104-01	Water Regulator
12	9141156-01	9141156-01		9141156-01	9141156-01	Condenser
13	9091086-03	9091086-03		9091086-03	9091086-03	Service Valve Cap
14	9091086-02	9091086-02		9091086-02	9091086-02	Service Valve Core
15	9091086-01	9091086-01		9091086-01	9091086-01	Service Valve Stem
	115/60/1	208-230/60/1		115/60/1	208-230/60/1	← Machine Voltage
	CIM0320A	CIM0326A		CIM0520A	CIM0526A	Starting Components (Included in Comp Kit)
	9181163-101	9181164-101		9181137-11B	9181170-11	Compressor Kit
	9181003-50	9181003-26		9181003-50	9181003-54	Start Capacitor
	9181009-25	9181009-08		9181009-25	9181009-09	Run Capacitor
	9181010-33	9181010-27		9181010-14	9181010-27	Compressor Relay
	9181005-49	9181005-50		9181005-45	9181005-48	Overload
	9181195-01					PIN to QC Adapter

Item No.	Model Number				Description	Machine Voltage
	CIM0325			CIM0535W		
1	9181165-11			9181166-11		Compressor Kit
2	9151192-03			9151192-03		Hot Gas Valve Body
3	9151193-02			9151193-02		Hot Gas Valve Coil
4	9151154-101			9151149-101		TXV
5	9041098-02			9041098-02		High Temp Switch
6	9041111-01			9041111-01		Switch, High Pressure
7	9151163-01			9151163-01		Drier <b>(Included in Compressor Kit)</b>
8	9131544-01			9131544-01		Insulation, TXV
9	9131143-07			9131143-07		Insulation, Bulb
10	9021021-01			9021021-01		Cable Tie-For TXV and Bulb Insulation
11	9051104-01			9051104-01		Water Regulator
12	9141156-01			9141156-01		Condenser
13	9091086-03			9091086-03		Service Valve Cap
14	9091086-02			9091086-02		Service Valve Core
15	9091086-01			9091086-01		Service Valve Stem
	220/50/1			220/50/1		← Machine Voltage
				CIM0535A		Starting Components (Included in Comp Kit)
	9181165-101			9181166-11		Compressor Kit
	9181003-54			9181003-32		Start Capacitor
	9181009-26			9181009-28		Run Capacitor
	9181010-27			9181010-34		Compressor Relay
	9181005-50			9181005-51		Overload



REFERENCE PAGE 4 AND 5 FOR EVAPORATOR



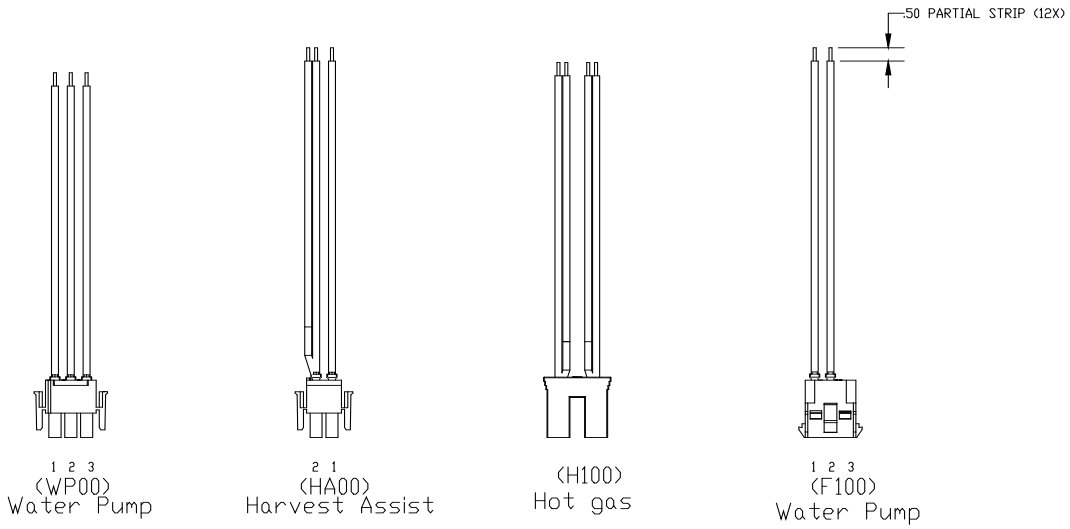
Item No.	Model Number				Description	
	CIM0320A	CIM0326A		CIM0520A		CIM0526A
1	9181163-101	9181164-101		9181137-11B	9181170-11	Compressor
2	9181003-50	9181003-26		9181003-50	9181003-54	Start Capacitor
3	9181009-25	9181009-08		9181009-25	9181009-09	Run Capacitor
4	9181010-33	9181010-27		9181010-14	9181010-27	Potential Relay
5	9181005-49	9181005-50		9181005-45	9181005-48	Overload
	9181195-01					PIN to QC Adapter
6	9041098-02	9041098-02		9041098-02	9041098-02	Switch, High Temp
7	9101002-07	9101002-06		9101002-07	9101002-06	Contactora
8	9021096-01	9021096-01		9021096-01	9021096-01	Cable Tie, Metal
9	9041108-01	9041108-02		9041108-01	9041108-02	Valve, Water Inlet
10	2062336-01	2062336-02		2062336-01	2062336-02	Water Pump
11	9041105-04	9041105-05		9041105-04	9041105-05	Purge Valve
12	9091140-01	9091140-01		9091140-01	9091140-01	Purge Drain
13	1051224-01	1051224-01		1051224-01	1051224-01	Float Switch Assembly (Includes Instructions)
14	9101368-02	9101368-02		9101368-02	9101368-02	Board Dual Voltage
15	9051698-01P	9051698-01P		9051698-01P	9051698-01P	Plastic Standoff, Control Board (Pkg of 10)
16	9161134-01	9161134-02		9161134-01	9161134-02	Harvest Assist
17	9101394-01	9101394-01		9101394-01	9101394-01	Membrane Switch (Includes Cable)
18	9101379-01	9101379-01		9101379-01	9101379-01	Switch, Magnetic Reed (Bin Control On Evap)
	115/60/1	208-230/60/1		115/60/1	208-230/60/1	← Machine Voltage

Item No.	Model Number				Description
	CIM0335A			CIM0525A/W	
1	9181165-101			9181166-11	Compressor Kit
2	9181003-54			9181003-32	Start Capacitor
3	9181009-26			9181009-28	Run Capacitor
4	9181010-27			9181010-34	Compressor Relay
5	9181005-50			9181005-51	Overload
6	9041098-02			9041098-02	Switch, High Temp
7	9101002-06			9101002-06	Contactora
8	9021096-01			9021096-01	Cable Tie, Metal
9	9041108-02			9041108-02	Valve, Water Inlet
10	2062336-02			2062336-02	Water Pump
11	9041105-05			9041105-05	Purge Valve
12	9091140-01			9091140-01	Purge Drain
13	1051224-01			1051224-01	Float Switch Assembly (Includes Instructions)
14	9101368-02			9101368-02	Board Dual Voltage
15	9051698-01P			9051698-01P	Plastic Standoff, Control Board (Pkg of 10)
16	9161134-02			9161134-02	Harvest Assist
17	9101394-01			9101394-01	Membrane Switch (Includes Cable)
18	9101379-01			9101379-01	Switch, Magnetic Reed (Bin Control On Evap)
	220/50/1			220/50/1	← Machine Voltage

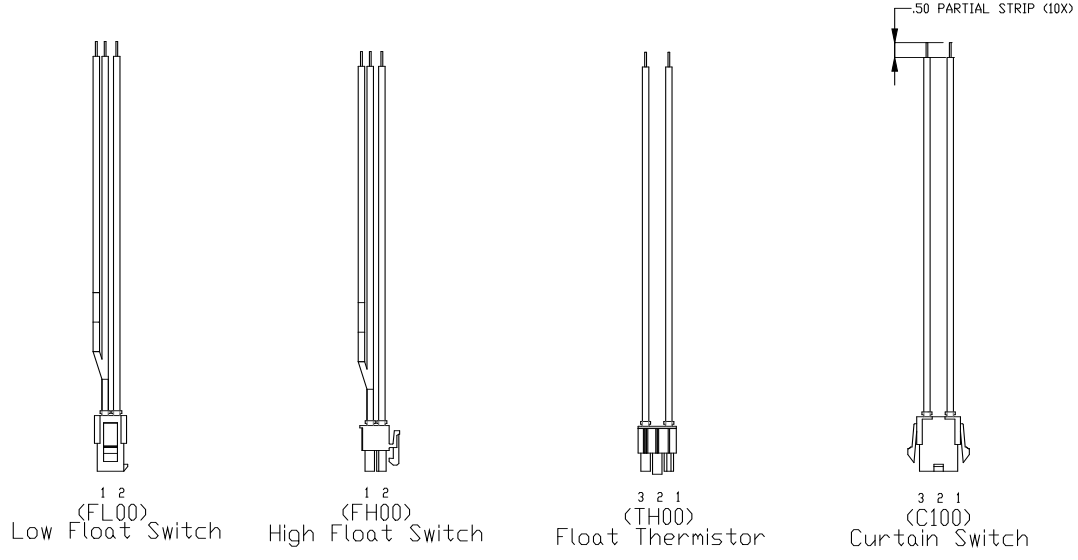
CIM units mounted on a Dispenser require a Bin Thermostat Kit **KCUBEDISPB** installed. See page 12. Replacement Bin Thermostat is a 9041097-01.

Wiring harness service kits are now available to provide a specific connector to be replaced due to a damaged connector or wire.

<u>Kit Part Number</u>	<u>Components Serviced</u>	<u>Voltage</u>
1051237-01	Water Pump, Harvest Assist, Hot Gas Valve, Fan Motor	115 or 230
1051237-02	Low Float Switch, High Float Switch, Thermistor, Curtain Switch	12 Volt D.C.



KIT, WIRING HARNESS, LINE VOLTAGE  
1051237-01



KIT, WIRING HARNESS, SIGNAL VOLTAGE  
1051237-02

Item	Part Number	Description
1	2021747-02	Deflector
2	2061293-51	Wire Assembly
3	3013572-01	Bin Stat Tube Bracket
4	3033768-01	Bin Stat Tube
5	6021018-03	Tubing PVC Insulation (For Bin Stat Cap Tube)
6	9041097-01	Bin Thermostat
7	9101395-01	Wiring Harness, Bin Stat (CIM Units)

