



SERVICE PARTS MANUAL
CIM SERIES
CIM0835, CIM0836, CIM1135, CIM1136 and CIM1137



This parts list contains the service parts available for the following CIM Series.

CIM0836 208-230/60/1
CIM0836G 208-230/60/1

CIM0835 220-240/50/1

CIM1136 208-230/60/1
CIM1137 208-230/60/3

CIM1135 220-240/50/1

Model Number Example

CIM0836HA

CIM = **C**uber **I**ce **M**achine

08 = 800 lb, in 24 hours capacity

3 = 30 inch wide cabinet

0 = 115 Volt, **5** = 220-240/50/1 **6** = 208-230/60/1 Volt

H = Half Cube Size, **F** = Full Cube Size **G**=Grande Cube Size

A = Air Cooled Condenser, **W** = Water Cooled Condenser **R**=Remote Condenser

Check the model number on the data plate and refer to the correct listing for the specific component.

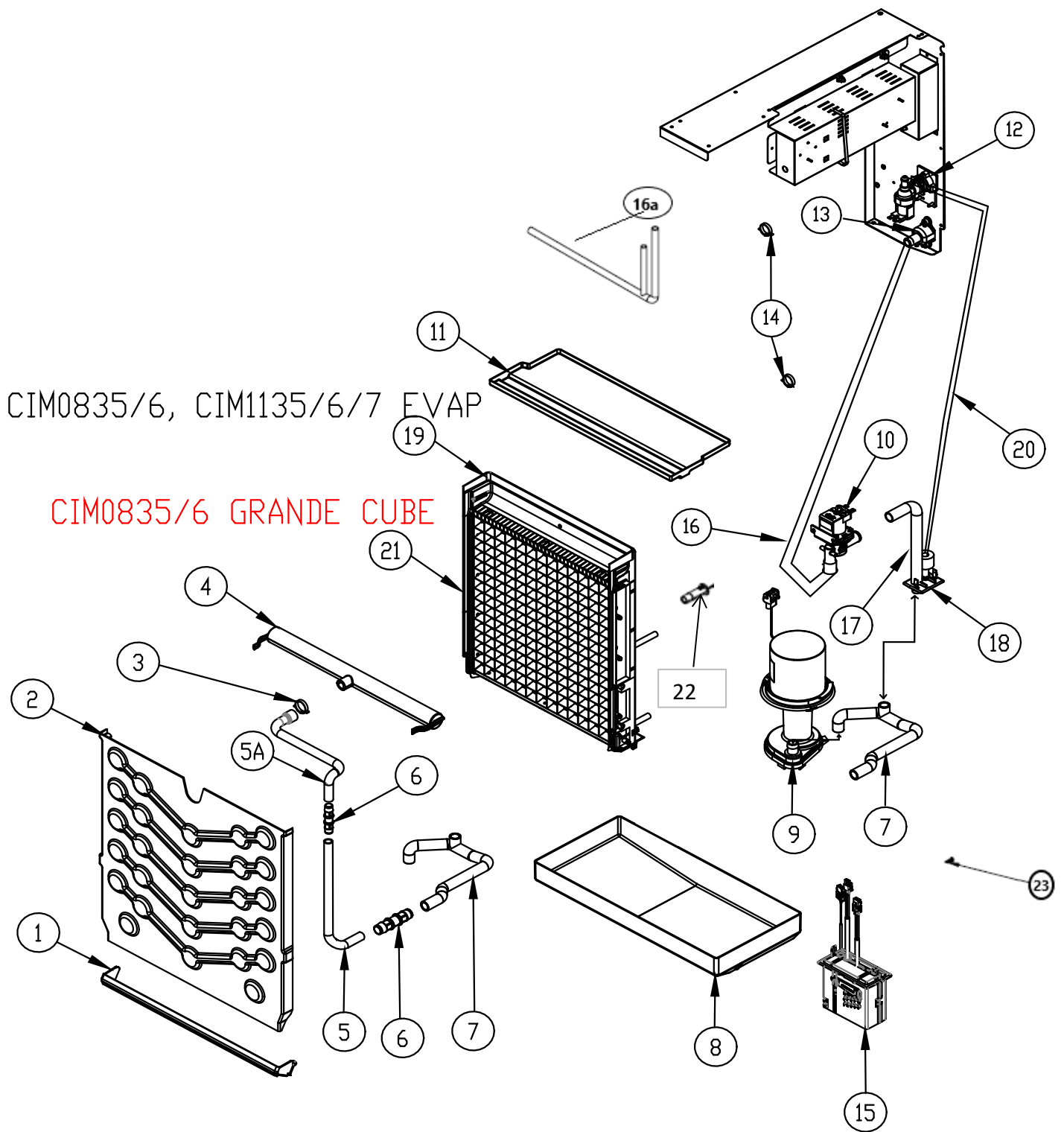
Check carefully that the correct part is identified and ordered.

| | |
|-------------------------------|-------------------|
| Table of Contents | Page 1 |
| Cabinet | Page 2-3 |
| Water System | Page 4-5 |
| Air Cooled Condenser | Page 6-7 |
| Water Cooled Condenser | Page 8-9 |
| Remote Condenser | Page 10-11 |
| Electrical | Page 12-15 |

Ice-O-Matic
11100 East 45th Ave.
Denver Co. 80239
800-423-3367

| Item No. | Model Number | | | Description |
|----------|--------------|--|-------------|--|
| | CIM0836 | | CIM1136 | |
| 1 | 2031544-01S | | 2031544-01S | 2031544-01S Front Panel |
| 2 | 9031237-01 | | 9031237-01 | 9031237-01 Front Panel Screws |
| 3 | 3022007-05 | | 3022007-05 | 3022007-05 Left Side Side Panel |
| 4 | 3022012-08 | | 3022012-08 | 3022012-08 Top Panel-Air Cooled |
| 5 | 3022012-03 | | 3022012-03 | 3022012-03 Top Panel-Remote and Water Cooled |
| 6 | 9031046-01P | | 9031046-01P | 9031046-01P Rear Cover Screws |
| 7 | 3013634-01 | | 3013634-01 | 3013634-01 Rear Cover |
| 8 | 3022007-06 | | 3022007-06 | 3022007-06 Right Side Panel-Remote and Water Cooled |
| 9 | 3022007-04 | | 3022007-04 | 3022007-04 Right Side Panel-Air Cooled |
| 10 | 3013674-01 | | 3013674-01 | 3013674-01 Junction Box Cover |
| 11 | 9031046-01P | | 9031046-01P | 9031046-01P Junction Box Screw |
| 12 | 2021801-01 | | 2021801-01 | 2021801-01 Left Front Corner Post |
| 13 | 2021801-02 | | 2021801-02 | 2021801-02 Right Front Corner post |
| 14 | 3013637-02 | | 3013637-02 | 3013637-02 Brace 30 Inch |
| 15 | 3013636-01 | | 3013636-01 | 3013636-01 Rear Brace |
| 16 | 9051725-02 | | 9051725-02 | 9051725-02 Base |
| 17 | 2021800-01 | | 2021800-01 | 2021800-01 Front Left Brace |
| 18 | 2021800-02 | | 2021800-02 | 2021800-02 Front Right Brace |
| 19 | 2021798-01 | | 2021798-01 | 2021798-01 Right Side Framework 30"Assembly |
| 20 | 2021799-01 | | 2021799-01 | 2021799-01 Left Side Framework 30"Assembly |
| 21 | 9011369-02 | | 9011369-02 | 9011369-02 Elevation Skid 30 Inch |
| 22 | 9011378-01 | | 9011378-01 | 9011378-01 Carton Liner 30 Inch |
| 23 | 9051765-01 | | 9051765-01 | 9051765-01 Shipping Bracket 2 Req. (Field Installed) |
| 24 | 9011374-05 | | 9011374-05 | 9011374-05 Carton, Elevation 30 Inch |
| 25 | 9011320-06 | | 9011320-06 | 9011320-06 Corner Post (Each), Elevation, (4 Required) |
| | 9031026-04P | | 9031026-04P | 9031026-04P Pop Rivets Not Shown (Package of 10) |

| | CIM0835 | | CIM1135 | | Description |
|----|-------------|--|-------------|--|---|
| 1 | 2031544-01S | | 2031544-01S | | Front Panel |
| 2 | 9031237-01 | | 9031237-01 | | Front Panel Screws |
| 3 | 3022007-05 | | 3022007-05 | | Left Side Side Panel |
| 4 | 3022012-08 | | 3022012-08 | | Top Panel-Air Cooled |
| 5 | 3022012-03 | | 3022012-03 | | Top Panel-Remote and Water Cooled |
| 6 | 9031046-01P | | 9031046-01P | | Rear Cover Screws |
| 7 | 3013634-01 | | 3013634-01 | | Rear Cover |
| 8 | 3022007-06 | | 3022007-06 | | Right Side Panel-Remote and Water Cooled |
| 9 | 3022007-04 | | 3022007-04 | | Right Side Panel-Air Cooled |
| 10 | 3013674-01 | | 3013674-01 | | Junction Box Cover |
| 11 | 9031046-01P | | 9031046-01P | | Junction Box Screw |
| 12 | 2021801-01 | | 2021801-01 | | Left Front Corner Post |
| 13 | 2021801-02 | | 2021801-02 | | Right Front Corner Post |
| 14 | 3013637-02 | | 3013637-02 | | Brace 30 Inch |
| 15 | 3013636-01 | | 3013636-01 | | Rear Brace |
| 16 | 9051725-02 | | 9051725-02 | | Base |
| 17 | 2021800-01 | | 2021800-01 | | Front Left Brace |
| 18 | 2021800-02 | | 2021800-02 | | Front Right Brace |
| 19 | 2021798-01 | | 2021798-01 | | Right Side Framework 30"Assembly |
| 20 | 2021799-01 | | 2021799-01 | | Left Side Framework 30"Assembly |
| 21 | 9011369-02 | | 9011369-02 | | Elevation Skid 30 Inch |
| 22 | 9011378-01 | | 9011378-01 | | Carton Liner 30 Inch |
| 23 | 9051765-01 | | 9051765-01 | | Shipping Bracket 2 Req. (Field Installed) |
| 24 | 9011374-05 | | 9011374-05 | | Carton, Elevation 30 Inch |
| 25 | 9011320-06 | | 9011320-06 | | Corner Post (Each), Elevation, (4 Required) |
| | 9031026-04P | | 9031026-04P | | Pop Rivets Not Shown (Package of 10) |



The Model Number of the machine has a designator for the Cube Size

Example: **CIM0836FA** **F = Full Cube**

CIM0836HA **H = Half Cube**

CIM0836GA **G = GRANDE Cube**

CIM Service Parts

Water System

| Item No. | Model Number | | | | Description | |
|----------|--------------|--------------|--|--------------------|--------------|---|
| | CIM0836 | CIM0836G | | CIM1136 CIM1137 | | |
| 1 | 9051823-01S | 9051823-01S | | 9051823-01S | 9051823-01S | Lower Curtain Assembly |
| 2 | 9051760-01 | 9051760-01 | | 9051760-01 | 9051760-01 | Evaporator Cover ("Splash Guard") |
| 3 | 9021010-05 | 9021010-05 | | 9021010-05 | 9021010-05 | Hose Clamp, Plastic |
| 4 | 9051766-01 | 9051766-01 | | 9051766-01 | 9051766-01 | Water Distribution Tube Assembly |
| 5 | 9051749-05 | 9051749-05 | | 9051749-05 | 9051749-05 | Water Tube, Side |
| 5A | 9051780-01 | 9051780-01 | | 9051780-01 | 9051780-01 | Water Tube Upper |
| 6 | 9091177-01 | 9091177-01 | | 9091177-01 | 9091177-01 | Coupler, Straight, 5/8 I.D. Tubing |
| 7 | 9051748-01 | 9051748-01 | | 9051748-01 | 9051748-01 | Water Tube, Sump |
| 8 | 9051737-01 | 9051737-01 | | 9051737-01 | 9051737-01 | Sump/Water Trough |
| 9 | 2062336-03S | 2062336-03S | | 2062336-03S | 2062336-03S | Water Pump |
| 10 | 9041105-05 | 9041105-05 | | 9041105-05 | 9041105-05 | Purge Valve |
| 11 | 9051738-01 | 9051738-01 | | 9051738-01 | 9051738-01 | Top Cover |
| 12 | 9041108-02 | 9041108-02 | | 9041108-02 | 9041108-02 | Water Inlet Valve |
| 13 | 9091140-01 | 9091140-01 | | 9091140-01 | 9091140-01 | Drain Fitting |
| 14 | 9021010-04 | 9021010-04 | | 9021010-04 | 9021010-04 | Hose Clamp, Plastic |
| 15 | 1051224-01 | 1051224-01 | | 1051224-01 | 1051224-01 | Float Switch Assembly (Includes Instructions) |
| 16 | 9051781-30 | 9051781-30 | | 9051781-30 | 9051781-30 | Purge Valve Tubing to Drain |
| 16a | 9051856-01 | 9051856-01 | | 9051856-01 | 9051856-01 | Purge Valve Tubing to Drain (Rev 5 & Up) |
| 17 | 9051541-01 | 9051541-01 | | 9051541-01 | 9051541-01 | Purge Valve Tube to Inlet Outlet Bracket |
| 18 | 9051739-01 | 9051739-01 | | 9051739-01 | 9051739-01 | Inlet Outlet Bracket |
| 19 | 1051380-01A | | | 1051380-01A | 1051380-01A | Evaporator - FULL Cube tp (1051223-05 NLA) |
| 19 | 1051380-02A | | | 1051380-02A | 1051380-02A | Evaporator - HALF Cube tp (1051223-06 NLA) |
| 20 | 9051782-36 | 9051782-36 | | 9051782-36 | 9051782-36 | Water Inlet Valve to Inlet Outlet Bracket Tube |
| 21 | | 1051380-03A | | | | Evaporator - Grande Cube tp (1051223-07 NLA) |
| 22 | 9051744-01 | 9051744-01 | | | 9051744-01 | Harvest Assist Guide (for unit S/Ns before #2102) |
| 22 | 9051001-02 | 9051001-02 | | | 9051001-02 | Harvest Assist Guide (for unit S/Ns 2102 & above) |
| 23 | 9051840-01 | 9051840-01 | | | 9051840-01 | Poppet Valve (for the Evaporator Sump) |
| | 2021776-01S | 2021776-01S | | 2021776-01S | 2021776-01S | Compressor Base (Not Shown) |
| | 208-230/60/1 | 208-230/60/1 | | 208-230/60/1 | 208-230/60/3 | Machine Voltage |

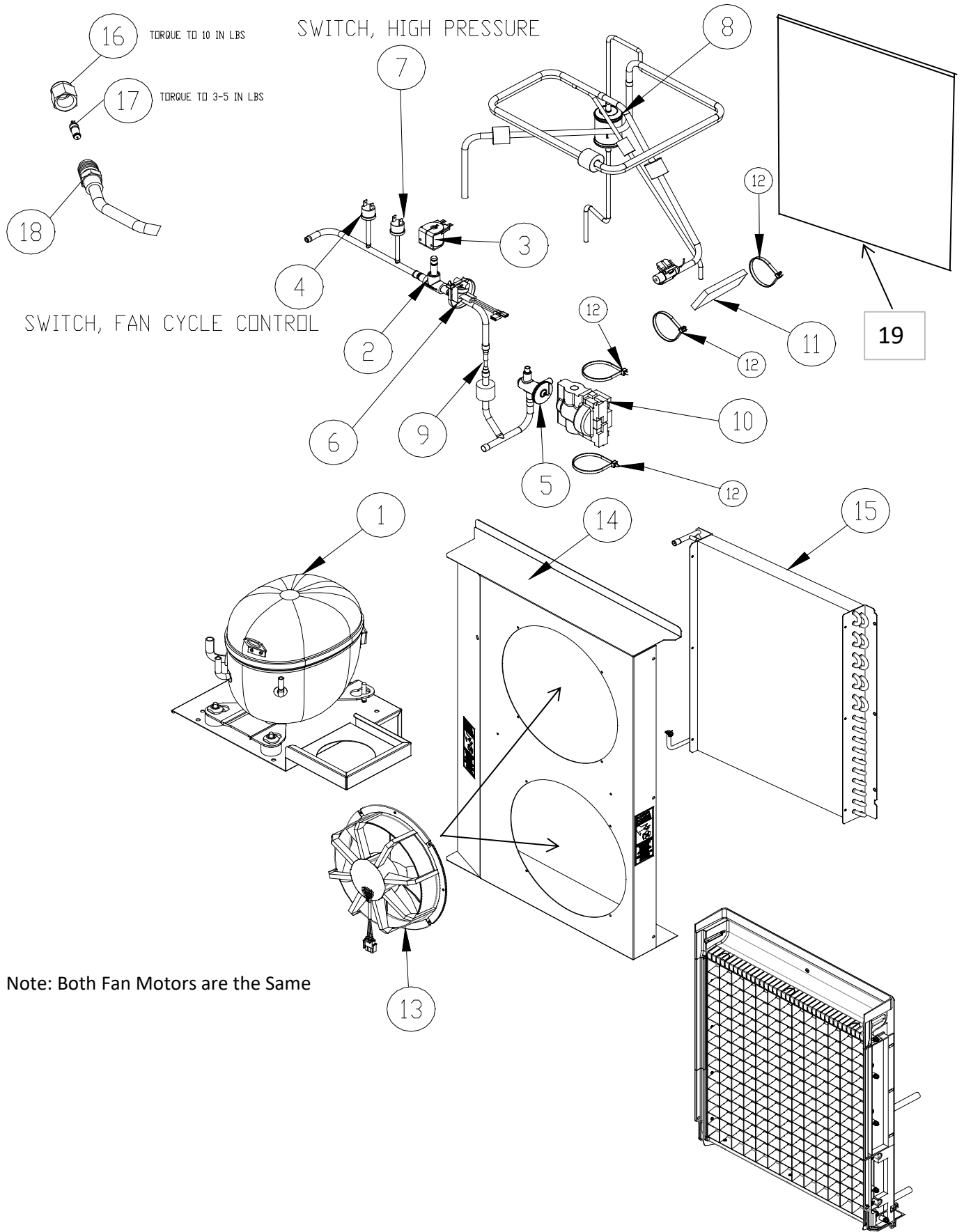
The Model Number of the machine has a designator for the Cube Size

CIM0838FA F = Full Cube Cube Size = 7/8 x 7/8 x 7/8

CIM0836HA H = Half Cube Cube Size = 3/8 x 7/8 x 7/8

CIM0836GA G = Grande Cube Cube Size = 1 1/4 x 1 1/8 x 7/8

| Item No. | Model Number | | | | Description | |
|----------|--------------|--------------|--|---------|--------------|---|
| | CIM0836 | CIM0836G | | CIM1135 | | |
| 1 | 9051823-01 | 9051823-01 | | | 9051823-01 | Lower Curtain Assembly |
| 2 | 9051760-01 | 9051760-01 | | | 9051760-01 | Evaporator Cover ("Splash Guard") |
| 3 | 9021010-05 | 9021010-05 | | | 9021010-05 | Hose Clamp, Plastic |
| 4 | 9051766-01 | 9051766-01 | | | 9051766-01 | Water Distribution Tube Assembly |
| 5 | 9051749-05 | 9051749-05 | | | 9051749-05 | Water Tube, Side |
| 5A | 9051749-03 | 9051749-03 | | | 9051749-03 | Water Tube Upper |
| 6 | 9091177-01 | 9091177-01 | | | 9091177-01 | Coupler, Straight, 5/8 I.D. Tubing |
| 7 | 9051748-01 | 9051748-01 | | | 9051748-01 | Water Tube, Sump |
| 8 | 9051737-01 | 9051737-01 | | | 9051737-01 | Sump/Water Trough |
| 9 | 2062336-03S | 2062336-03S | | | 2062336-03S | Water Pump |
| 10 | 9041105-05 | 9041105-05 | | | 9041105-05 | Purge Valve |
| 11 | 9051738-01 | 9051738-01 | | | 9051738-01 | Top Cover |
| 12 | 9041108-02 | 9041108-02 | | | 9041108-02 | Water Inlet Valve |
| 13 | 9091140-01 | 9091140-01 | | | 9091140-01 | Drain Fitting |
| 14 | 9021010-04 | 9021010-04 | | | 9021010-04 | Hose Clamp, Plastic |
| 15 | 1051224-01 | 1051224-01 | | | 1051224-01 | Float Switch Assembly (Includes Instructions) |
| 16 | 9051781-30 | 9051781-30 | | | 9051781-30 | Purge Valve Tubing to Drain |
| 16a | 9051856-01 | 9051856-01 | | | 9051856-01 | Purge Valve Tubing to Drain (Rev 5 & Up) |
| 17 | 9051541-01 | 9051541-01 | | | 9051541-01 | Purge Valve Tube to Inlet Outlet Bracket |
| 18 | 9051739-01 | 9051739-01 | | | 9051739-01 | Inlet Outlet Bracket |
| 19 | 1051380-01A | | | | 1051380-01A | Evaporator - FULL Cube tp (1051223-05 NLA) |
| 19 | 1051380-02A | | | | 1051380-02A | Evaporator - HALF Cube tp (1051223-06 NLA) |
| 20 | 9051782-36 | 9051782-36 | | | 9051782-36 | Water Inlet Valve to Inlet Outlet Bracket Tube |
| 21 | | 1051380-03A | | | | Evaporator - Grande Cube tp (1051223-07 NLA) |
| 22 | 9051744-01 | 9051744-01 | | | 9051744-01 | Harvest Assist Guide (for unit S/Ns before #2102) |
| 22 | 9051001-02 | 9051001-02 | | | 9051001-02 | Harvest Assist Guide (for unit S/Ns 2102 & above) |
| 23 | 9051840-01 | 9051840-01 | | | 9051840-01 | Poppet Valve (for the Evaporator Sump) |
| | 2021776-01S | 2021776-01S | | | 2021776-01S | Compressor Base (Not Shown) |
| | 208-230/60/1 | 208-230/60/1 | | | 208-230/60/3 | Machine Voltage |



Note: Both Fan Motors are the Same

REFERENCE PAGE 4 AND 5 FOR EVAPORATOR

CIM Service Parts

Air Cooled

Note: G=Grande Cube in the Machine Model Number 60 Hz.

| Item No. | Model Number | | | | Description |
|----------|--------------|--------------|--------------|--------------|---|
| | CIM0836A | CIM0836GA | CIM1136A | CIM1137A | |
| 1B | 9181177-11 | 9181180-11 | 9181180-11 | 9181181-11 | Compressor Kit RED=NLA Use the 105 Kit Below |
| 1BC | 1051239-11 | NA | 1051240-01 | 1051240-03 | Compressor Kit (Bristol to Copeland) |
| 1CR1 | 9181139-11 | 9181140-11 | 9181240-11 | 9181140-13 | Compressor (Copeland) (Rev 1) |
| 2 | 9151192-01 | 9151198-01 | 9151192-02 | 9151192-02 | Hot Gas Valve Body |
| 2 | 9151192-01 | 9151198-01 | 9151198-01 | 9151198-01 | Hot Gas Valve Body (Rev 1 and Above) |
| 3 | 9151193-02 | 9151193-02 | 9151193-02 | 9151193-02 | Hot Gas Valve Coil (240 V) |
| 4 | 9041106-01 | 9041106-01 | 9041106-01 | 9041106-01 | Switch, Fan Cycle |
| 5 | 9151152-101 | 9151152-101 | 9151152-101 | 9151152-101 | TXV |
| 6 | 9041098-02 | 9041098-02 | 9041098-02 | 9041098-02 | High Temp Switch |
| 7 | 9041111-01 | 9041111-01 | 9041111-01 | 9041111-01 | Switch, High Pressure |
| 8 | 9151163-03 | 9151163-03 | 9151163-03 | 9151163-03 | Drier (Included in Compressor Kit) |
| 9 | Not Used | Not Used | Not Used | Not Used | Restrictor |
| 10 | 9131544-01 | 9131544-01 | 9131544-01 | 9131544-01 | Insulation, TXV |
| 11 | 9131143-02 | 9131143-02 | 9131143-02 | 9131143-02 | Insulation, Bulb |
| 12 | 9021021-01 | 9021021-01 | 9021021-01 | 9021021-01 | Cable Tie-For TXV and Bulb Insulation |
| 13 | 9161135-02 | 9161135-02 | 9161135-02 | 9161135-02 | Fan Motor Assembly (no Rev #/Both Motor the Same) |
| 13 | 9161143-02 | 9161143-02 | 9161143-02 | 9161143-02 | Fan Motor Assembly (Revision 1 and above) |
| 14 | 3013697-02 | 3013697-02 | 3013697-02 | 3013697-02 | Fan Shroud |
| 15 | 9141153-01 | 9141153-01 | 9141153-01 | 9141153-01 | Condenser |
| 16 | 9091086-03 | 9091086-03 | 9091086-03 | 9091086-03 | Service Valve Cap |
| 17 | 9091086-02 | 9091086-02 | 9091086-02 | 9091086-02 | Service Valve Core |
| 18 | 9091086-01 | 9091086-01 | 9091086-01 | 9091086-01 | Service Valve Stem |
| 19 | 9131574-02 | 9131574-02 | 9131574-02 | 9131574-02 | Air Filter |
| | 208-230/60/1 | 208-230/60/1 | 208-230/60/1 | 208-230/60/3 | Machine Voltage |

Note: G=Grande Cube in the Machine Model Number 50 Hz.

| Item No. | Model Number | | | | Description |
|----------|--------------|--------------|--------------|------------|--|
| | CIM0835A | CIM0835GA | CIM1135A | | |
| 1B | 9181176-11 | 9181182-11 | 9181182-11 | | Compressor Kit RED=NLA Use the 105 Kit Below |
| 1BC | 1051240-02 | NA | 1051241-02 | | Compressor Kit (Bristol to Copeland) |
| 1CR1 | 9181140-12 | 9181141-12 | 9181141-12 | | Compressor (Copeland) (Rev 1) |
| 2 | 9151192-01 | 9151198-01 | 9151192-02 | | Hot Gas Valve Body |
| | 9151192-01 | 9151198-01 | 9151192-01 | | Hot Gas Valve Body (Rev 1 and Above) |
| 3 | 9151193-02 | 9151193-02 | 9151193-02 | | Hot Gas Valve Coil (240 V) |
| 4 | 9041106-01 | 9041106-01 | 9041106-01 | | Switch, Fan Cycle |
| 5 | 9151152-101 | 9151152-101 | 9151152-101 | | TXV |
| 6 | 9041098-02 | 9041098-02 | 9041098-02 | | High Temp Switch |
| 7 | 9041111-01 | 9041111-01 | 9041111-01 | | Switch, High Pressure |
| 8 | 9151163-03 | 9151163-03 | 9151163-03 | | Drier (Included in Compressor Kit) |
| 9 | Not Used | Not Used | Not Used | | Restrictor |
| 10 | 9131544-01 | 9131544-01 | 9131544-01 | | Insulation, TXV |
| 11 | 9131143-07 | 9131143-07 | 9131143-07 | | Insulation, Bulb |
| 12 | 9021021-01 | 9021021-01 | 9021021-01 | | Cable Tie-For TXV and Bulb Insulation |
| 13 | 9161135-02 | 9161135-02 | 9161135-02 | | Fan Motor Assembly (no Rev #/Both Motors the Same) |
| 13 | 9161143-02 | 9161143-02 | 9161143-02 | 9161143-02 | Fan Motor Assembly (Revision 1 and above) |
| 14 | 3013697-02 | 3013697-02 | 3013697-02 | | Fan Shroud |
| 15 | 9141153-01 | 9141153-01 | 9141153-01 | | Condenser |
| 16 | 9091086-03 | 9091086-03 | 9091086-03 | | Service Valve Cap |
| 17 | 9091086-02 | 9091086-02 | 9091086-02 | | Service Valve Core |
| 18 | 9091086-01 | 9091086-01 | 9091086-01 | | Service Valve Stem |
| 19 | 9131574-02 | 9131574-02 | 9131574-02 | | Air Filter |
| | 220-240/50/1 | 220-240/50/1 | 220-240/50/1 | | Machine Voltage |

1B Originally Supplied with a Bristol Compressor, Bristol Compressors are No Longer Available

1BC Converts from a Bristol Compressor to a Copeland Kit 1CR1

Reference Page 14 for Compressor Starting Components

| Item No. | Model Number | | | Description |
|----------|--------------|--------------|--------------|--|
| | CIM0836W | CIM1136W | CIM1137W | |
| 1B | 9181177-11 | 9181180-11 | 9181181-11 | Compressor Kit RED=NLA Use the 105 Kit Below |
| 1BC | 1051239-01 | 1051240-01 | 1051240-03 | Compressor |
| 1CR1 | 9181139-11 | 9181240-11 | 9181140-13 | Compressor (Copeland) (Rev 1) |
| 2 | 9151192-01 | 9151198-01 | 9151198-01 | Hot Gas Valve Body |
| 3 | 9151193-02 | 9151193-02 | 9151193-02 | Hot Gas Valve Coil |
| 4 | 9151152-101 | 9151152-101 | 9151152-101 | TXV |
| 5 | 9041098-02 | 9041098-02 | 9041098-02 | High Temp Switch |
| 6 | 9041111-01 | 9041111-01 | 9041111-01 | Switch, High Pressure |
| 7 | 9151163-02 | 9151163-02 | 9151163-02 | Drier (Included in Compressor Kit) |
| 8 | 9131544-01 | 9131544-01 | 9131544-01 | Insulation, TXV |
| 9 | 9131143-02 | 9131143-02 | 9131143-02 | Insulation, Bulb |
| 10 | 9021021-01 | 9021021-01 | 9021021-01 | Cable Tie-For TXV and Bulb Insulation |
| 11 | 9041059-01 | 9041059-01 | 9041059-01 | Water Regulator |
| 12 | 9141157-01 | 9141157-01 | 9141157-01 | Condenser |
| 13 | 9091086-03 | 9091086-03 | 9091086-03 | Service Valve Cap |
| 14 | 9091086-02 | 9091086-02 | 9091086-02 | Service Valve Core |
| 15 | 9091086-01 | 9091086-01 | 9091086-01 | Service Valve Stem |
| 16 | 9151155-01 | 9151155-01 | 9151155-01 | Accumulator |
| | 208-230/60/1 | 208-230/60/1 | 208-230/60/3 | ← Machine Voltage |

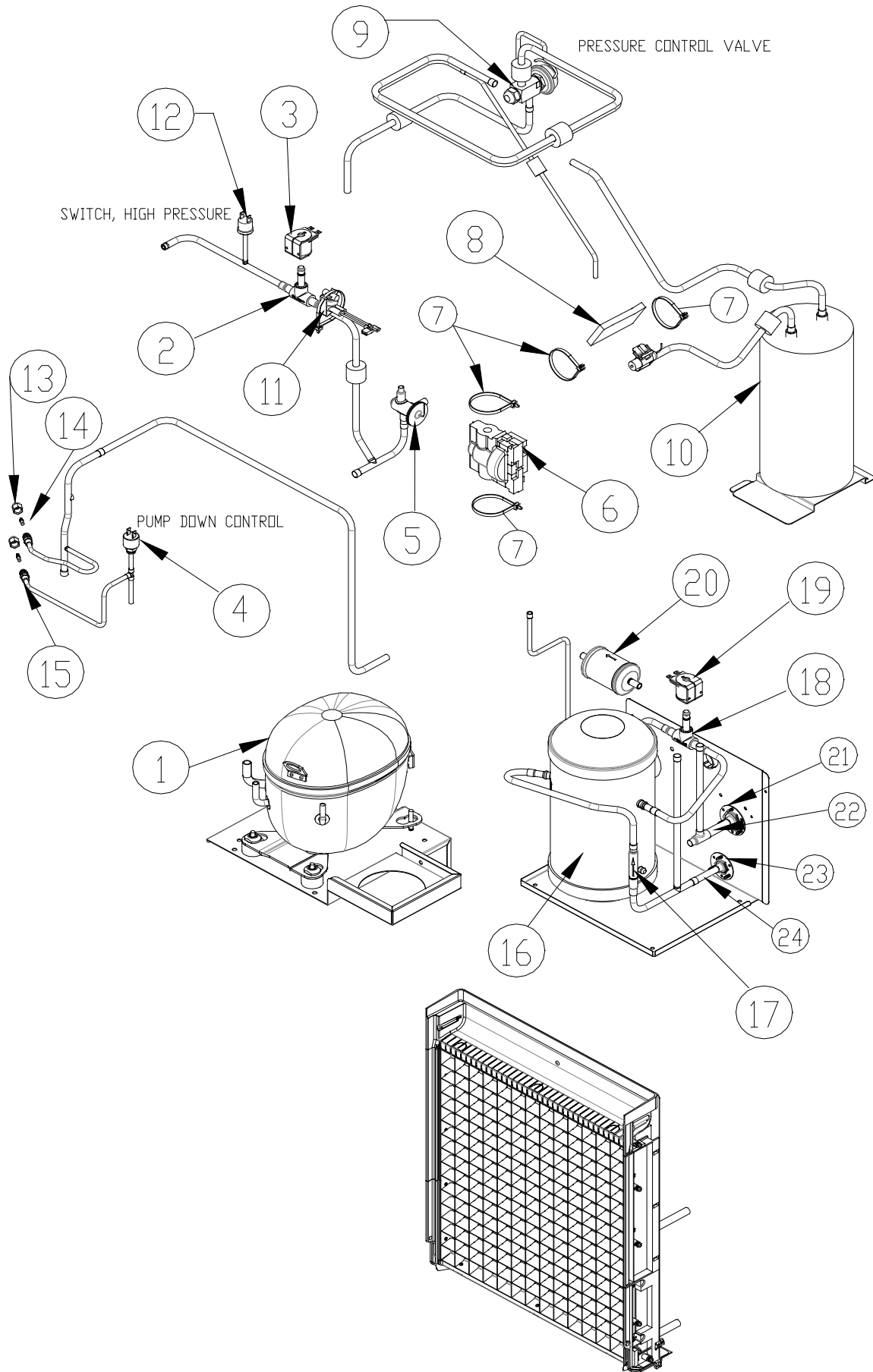
| Item No. | Model Number | | | Description |
|----------|--------------|--------------|--|---------------------------------------|
| | CIM0835W | CIM1135W | | |
| 1B | 9181176-11 | 9181182-11 | | Compressor Kit |
| 1BC | 1051240-02 | 1051241-02 | | Compressor |
| 1CR1 | 9181140-12 | 9181141-12 | | Compressor (Copeland) (Rev 1) |
| 2 | 9151192-01 | 9151198-01 | | Hot Gas Valve Body |
| 3 | 9151193-02 | 9151193-02 | | Hot Gas Valve Coil |
| 4 | 9151152-101 | 9151152-101 | | TXV |
| 5 | 9041098-02 | 9041098-02 | | High Temp Switch |
| 6 | 9041111-01 | 9041111-01 | | Switch, High Pressure |
| 7 | 9151163-02 | 9151163-02 | | Drier (Included in Compressor Kit) |
| 8 | 9131544-01 | 9131544-01 | | Insulation, TXV |
| 9 | 9131143-07 | 9131143-07 | | Insulation, Bulb |
| 10 | 9021021-01 | 9021021-01 | | Cable Tie-For TXV and Bulb Insulation |
| 11 | 9041059-01 | 9041059-01 | | Water Regulator |
| 12 | 9141157-01 | 9141157-01 | | Condenser |
| 13 | 9091086-03 | 9091086-03 | | Service Valve Cap |
| 14 | 9091086-02 | 9091086-02 | | Service Valve Core |
| 15 | 9091086-01 | 9091086-01 | | Service Valve Stem |
| 16 | 9151155-01 | 9151155-01 | | Accumulator |
| | 220-240/50/1 | 220-240/50/1 | | ← Machine Voltage |

1B Originally Supplied with a Bristol Compressor, Bristol Compressors are No Longer Available

1BC Converts from a Bristol Compressor to a Copeland Kit

1CR1 Built with a Copeland Compressor, Rev 1

Reference Page 14 for Compressor Starting Components



REFERENCE PAGE 4 AND 5 FOR EVAPORATOR

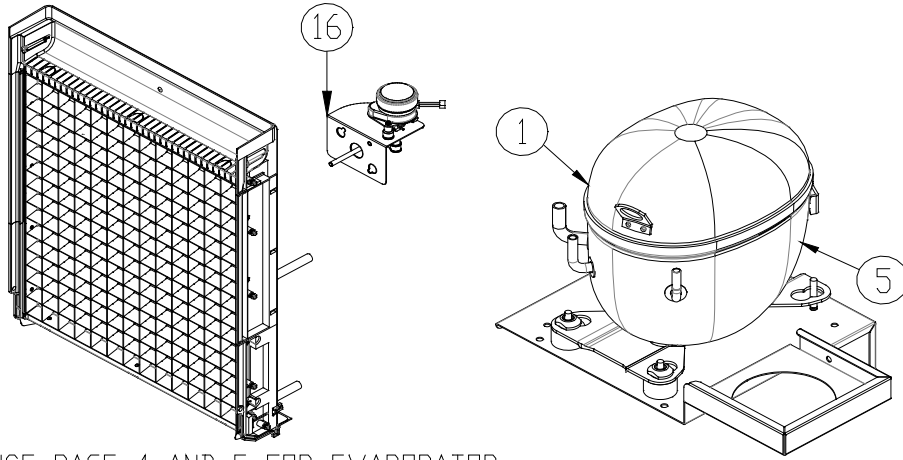
| Item No. | Model Number | | | | | Description |
|----------|--------------|--------------|--------------|--------------|--------------|--|
| | CIM0836R | CIM0835R | CIM1136R | CIM1135R | CIM1137R | |
| 1B | 9181177-11 | 9181176-11 | 9181180-11 | 9181182-11 | 9181181-11 | Compressor Kit RED=NLA Use the 105 Kit Below |
| 1BC | 1051239-01 | 1051240-02 | 1051240-01 | 1051241-02 | 1051240-13 | Compressor Kit (Bristol to Copeland) |
| 1CR1 | 9181139-11 | 9181140-12 | 9181240-11 | 9181141-12 | 9181140-13 | Compressor (Copeland) (Rev 1) |
| 2 | 9151192-01 | 9151192-01 | 9151192-02 | 9151192-02 | 9151192-02 | Hot Gas Valve Body |
| 3 | 9151193-02 | 9151193-02 | 9151193-02 | 9151193-02 | 9151193-02 | Hot Gas Valve Coil |
| 4 | 9041092-02 | 9041092-02 | 9041092-02 | 9041092-02 | 9041092-02 | Pump Down Control |
| 5 | 9151152-101 | 9151152-101 | 9151152-101 | 9151152-101 | 9151152-101 | TXV |
| 6 | 9131544-01 | 9131544-01 | 9131544-01 | 9131544-01 | 9131544-01 | Insulation, TXV |
| 7 | 9021025-01 | 9021025-01 | 9021025-01 | 9021025-01 | 9021025-01 | Cable Tie-For TXV and Bulb Insulation |
| 8 | 9131143-02 | 9131143-02 | 9131143-02 | 9131143-02 | 9131143-02 | Insulation, TXV Bulb |
| 9 | NA | NA | NA | NA | NA | Pressure Control Valve |
| 10 | NA | NA | NA | NA | NA | Accumulator |
| 11 | 9041098-02 | 9041098-02 | 9041098-02 | 9041098-02 | 9041098-02 | High Temp Switch |
| 12 | 9041111-01 | 9041111-01 | 9041111-01 | 9041111-01 | 9041111-01 | Switch, High Pressure |
| 13 | 9091086-03 | 9091086-03 | 9091086-03 | 9091086-03 | 9091086-03 | Service Valve Cap |
| 14 | 9091086-02 | 9091086-02 | 9091086-02 | 9091086-02 | 9091086-02 | Service Valve Core |
| 15 | 9091086-01 | 9091086-01 | 9091086-01 | 9091086-01 | 9091086-01 | Service Valve Stem |
| 16 | 9151060-01 | 9151060-01 | 9151060-01 | 9151060-01 | 9151060-01 | Receiver |
| 17 | 9151139-01 | 9151139-01 | 9151139-01 | 9151139-01 | 9151139-01 | Check Valve |
| 18 | 9151192-02 | 9151192-02 | 9151192-02 | 9151192-02 | 9151192-02 | Liquid Line Solenoid |
| 19 | 9151193-02 | 9151193-02 | 9151193-02 | 9151193-02 | 9151193-02 | Liquid Line Coil |
| 20 | 9151163-03 | 9151163-03 | 9151163-03 | 9151163-03 | 9151163-03 | Drier (Included in Compressor Kit) |
| 21 | 9091001-09 | 9091001-09 | 9091001-09 | 9091001-09 | 9091001-09 | 1/2 Inch Coupling Flange (Large) |
| 22 | 9091001-12 | 9091001-12 | 9091001-12 | 9091001-12 | 9091001-12 | 1/2 Inch Coupling (Large) |
| 23 | 9091001-03 | 9091001-03 | 9091001-03 | 9091001-03 | 9091001-03 | 3/8 Inch Coupling Flange (Small) |
| 24 | 9091001-11 | 9091001-11 | 9091001-11 | 9091001-11 | 9091001-11 | 3/8 Inch Coupling (Small) |
| | 208-230/60/1 | 220-240/50/1 | 208-230/60/1 | 220-240/50/1 | 208-230/60/3 | ← Machine Voltage |

1B Originally Supplied with a Bristol Compressor, Bristor Compressors are No Longer Available

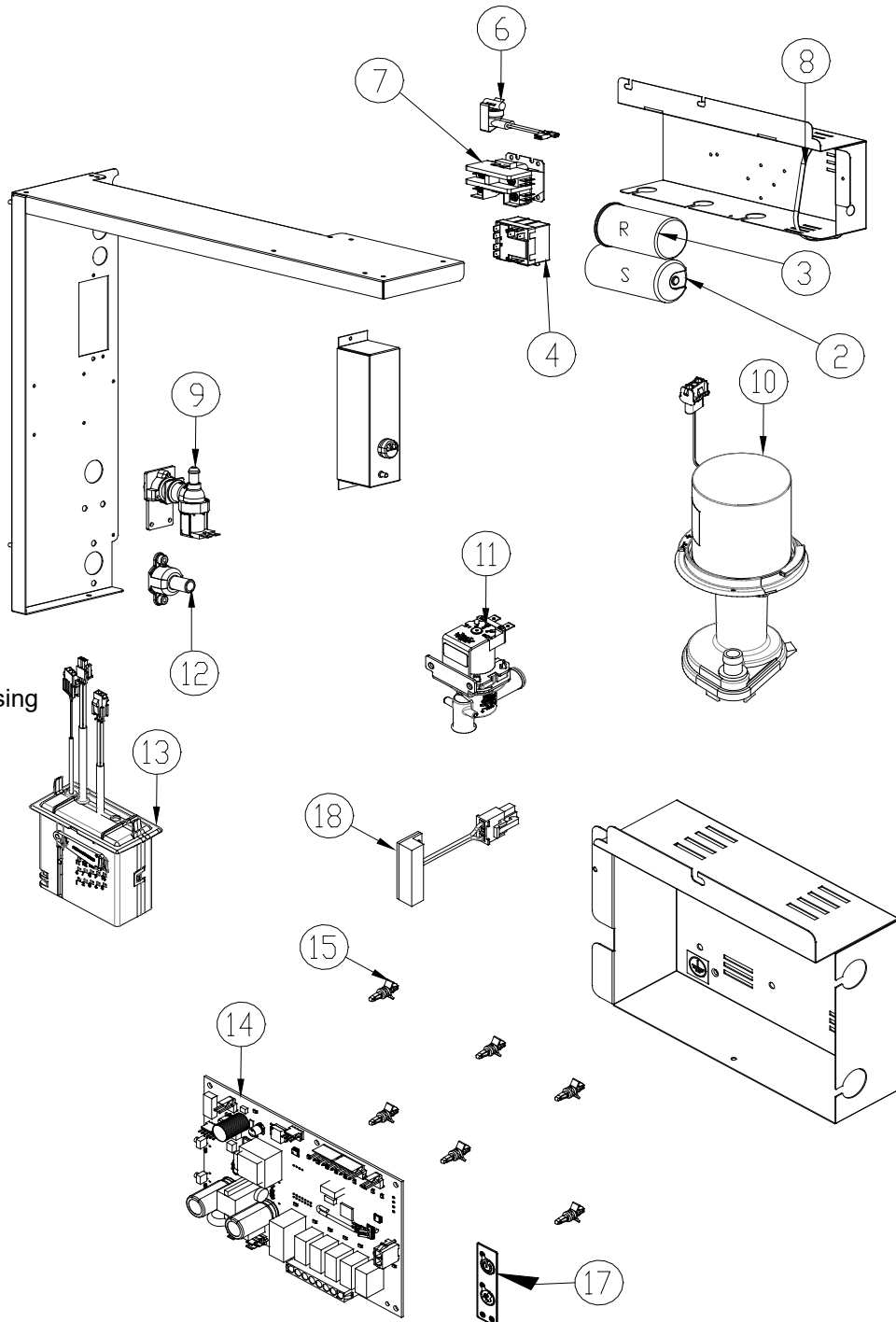
1BC Converts from a Bristol Compressor to a Copeland Kit

1CR1 Built with a Copeland Compressor, Rev 1

Reference Page 14 for Compressor Starting Components



REFERENCE PAGE 4 AND 5 FOR EVAPORATOR



Thermistor in Float Housing
9041112-01

| Item No. | Model Number | | | | Description |
|----------|--------------|--------------|--------------|--------------|---|
| | CIM0836 | CIM0836GA | CIM1136W | CIM1137W | |
| 1 | | | | | |
| 2 | | | | | |
| 3 | | | | | |
| 4 | | | | | |
| 5 | | | | | |
| 6 | 9041098-02 | 9041098-02 | 9041098-02 | 9041098-02 | Switch, High Temp |
| 7 | 9101002-06 | 9101002-06 | 9101002-06 | 9101002-06 | Contactora |
| 8 | 9021096-01 | 9021096-01 | 9021096-01 | 9021096-01 | Cable Tie, Metal |
| 9 | 9041108-02 | 9041108-02 | 9041108-02 | 9041108-02 | Valve, Water Inlet |
| 10 | 2062336-03S | 2062336-03S | 2062336-03S | 2062336-03S | Water Pump |
| 11 | 9041105-05 | 9041105-05 | 9041105-05 | 9041105-05 | Purge Valve |
| 12 | 9091140-01 | 9091140-01 | 9091140-01 | 9091140-01 | Purge Drain |
| 13 | 1051224-01 | 1051224-01 | 1051224-01 | 1051224-01 | Float Switch Assembly (Includes Instructions) |
| | 9041112-01 | 9041112-01 | 9041112-01 | 9041112-01 | Thermister |
| 14 | 9101414-01 | 9101414-01 | 9101414-01 | 9101414-01 | Board Dual Voltage |
| 15 | 9051698-01P | 9051698-01P | 9051698-01P | 9051698-01P | Plastic Standoff, Control Board (Pkg of 10) |
| 16 | 9161134-02 | 9161134-02 | 9161134-02 | 9161134-02 | Harvest Assist |
| 17 | 9101394-01 | 9101394-01 | 9101394-01 | 9101394-01 | Membrane Switch |
| 18 | 9101379-01 | 9101379-01 | 9101379-01 | 9101379-01 | Switch, Magnetic Reed (Bin Control On Evap) |
| | 208-230/60/1 | 208-230/60/1 | 208-230/60/1 | 208-230/60/1 | ← Machine Voltage |

| Item No. | Model Number 220-240/50/1 | | | | Machine Voltage |
|----------|---------------------------|--|-------------|--|---|
| | | | | | |
| 1 | | | | | |
| 2 | | | | | |
| 3 | | | | | |
| 4 | | | | | |
| 5 | | | | | |
| 6 | 9041098-02 | | 9041098-02 | | Switch, High Temp |
| 7 | 9101002-06 | | 9101002-06 | | Contactora |
| 8 | 9021096-01 | | 9021096-01 | | Cable Tie, Metal |
| 9 | 9041108-02 | | 9041108-02 | | Valve, Water Inlet |
| 10 | 2062336-03S | | 2062336-03S | | Water Pump |
| 11 | 9041105-05 | | 9041105-05 | | Purge Valve |
| 12 | 9091140-01 | | 9091140-01 | | Purge Drain |
| 13 | 1051224-01 | | 1051224-01 | | Float Switch Assembly (Includes Instructions) |
| | 9041112-01 | | 9041112-01 | | Thermister |
| 14 | 9101414-01 | | 9101414-01 | | Board Dual Voltage |
| 15 | 9051698-01P | | 9051698-01P | | Plastic Standoff, Control Board (Pkg of 10) |
| 16 | 9161134-02 | | 9161134-02 | | Harvest Assist |
| 17 | 9101394-01 | | 9101394-01 | | Membrane Switch |
| 18 | 9101379-01 | | 9101379-01 | | Switch, Magnetic Reed (Bin Control On Evap) |

When a CIM Series Cuber is mounted on a dispenser, the KCUBEDISP install kit is required.

Replacement Thermostatic Bin Control Part Number 9041097-01

| | | | | | |
|-----------------|------------------|-----------------|-----------------|-----------------|---|
| CIM0836A | CIM0836GA | | CIM1136A | CIM1137A | Starting Components (Included in Comp Kit) |
| 9181177-11 | 9181180-11 | | 9181180-11 | 9181181-11 | Compressor Kit RED=NLA |
| 9181003-44 | 9181003-44 | | 9181003-44 | N/A | Start Capacitor |
| 9181009-16 | 9181009-16 | | 9181009-16 | N/A | Run Capacitor |
| 9181010-37 | 9181010-33 | | 9181010-33 | N/A | Compressor Relay |
| Internal | Internal | | Internal | Internal | Overload |
| CIM0835A | CIM0835GA | | CIM1135A | | Starting Components (Included in Comp Kit) |
| 9181176-11 | 9181182-11 | | 9181182-11 | | Compressor Kit RED=NLA |
| 9181003-53 | 9181003-56 | | 9181003-56 | | Start Capacitor |
| 9181009-16 | 9181009-27 | | 9181009-27 | | Run Capacitor |
| 9181010-36 | 9181010-35 | | 9181010-35 | | Compressor Relay |
| Internal | Internal | | Internal | | Overload |
| CIM0836W | | CIM1136W | | CIM1137W | Starting Components (Included in Comp Kit) |
| 9181177-11 | | 9181180-11 | | 9181181-11 | Compressor Kit |
| 9181003-44 | | 9181003-44 | | N/A | Start Capacitor |
| 9181009-16 | | 9181009-16 | | N/A | Run Capacitor |
| 9181010-37 | | 9181010-33 | | N/A | Compressor Relay |
| Internal | | Internal | | Internal | Overload |
| CIM0835W | | CIM1135W | | | Starting Components (Included in Comp Kit) |
| 9181176-11 | | 9181182-11 | | | Compressor Kit |
| 9181003-53 | | 9181003-56 | | | Start Capacitor |
| 9181009-16 | | 9181009-27 | | | Run Capacitor |
| 9181010-36 | | 9181010-35 | | | Compressor Relay |
| Internal | | Internal | | | Overload |
| CIM0836R | CIM0835R | CIM1136R | CIM1135R | CIM1137R | Starting Components (Included in Comp Kit) |
| 9181177-11 | 9181176-11 | 9181180-11 | 9181182-11 | 9181181-11 | Compressor Kit |
| 9181003-44 | 9181003-53 | 9181003-44 | 9181003-56 | N/A | Start Capacitor |
| 9181009-16 | 9181009-16 | 9181009-16 | 9181009-27 | N/A | Run Capacitor |
| 9181010-37 | 9181010-36 | 9181010-33 | 9181010-35 | N/A | Potential Relay |
| Internal | Internal | Internal | Internal | Internal | Overload |

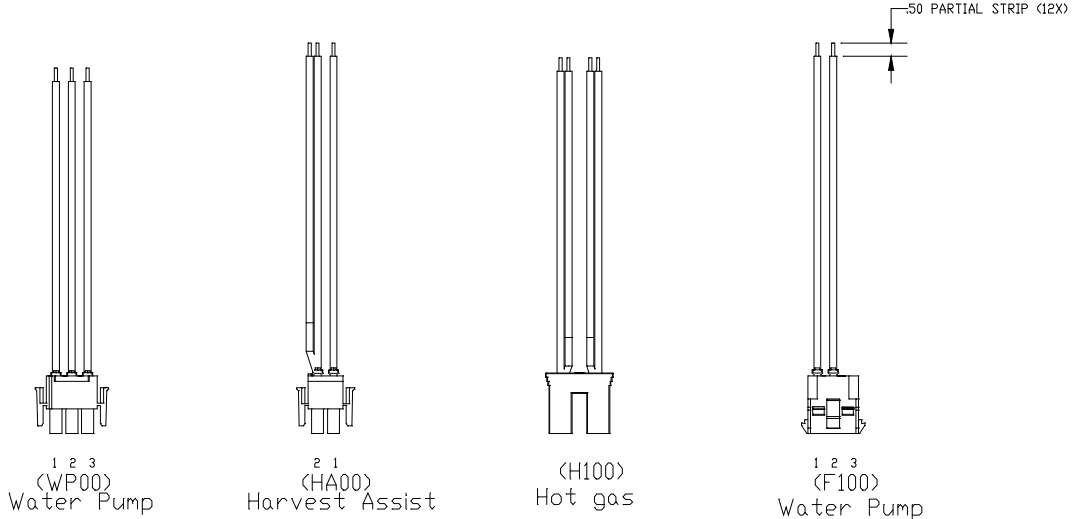
| | | | |
|--|--------------------------------|-------------------|----------------------------|
| Reference the Bristol Model Number for Compressor Starting Components | 1051239-01 Copeland Kit | 9181176-11 | Bristol R92J243ABKA |
| | 1051240-01 Copeland Kit | 9181177-11 | Bristol R92J223ABCA |
| | 1051240-01 Copeland Kit | 9181180-11 | Bristol R92J273ABCA |
| | 1051240-03 Copeland Kit | 9181181-11 | Bristol R92J273DBLA |
| | 1051241-02 Copeland Kit | 9181182-11 | Bristol R92J343ABKA |

| | | | | |
|---|-------------------|-----------------|-------------------|------------------------|
| Reference the Copeland Model Number for Compressor Starting Components | 1051239-01 | Copeland | 9181139-11 | CS10K6E-PFV-255 |
| | 1051240-01 | Copeland | 9181240-11 | CS12KIE-PFV-255 |
| | 1051240-02 | Copeland | 9181140-12 | CS12K6E-PFJ-255 |
| | 1051240-03 | Copeland | 9181140-13 | CS12K6E-TF5-255 |
| | 1051241-02 | Copeland | 9181141-12 | CS14K6E-PFJ-255 |

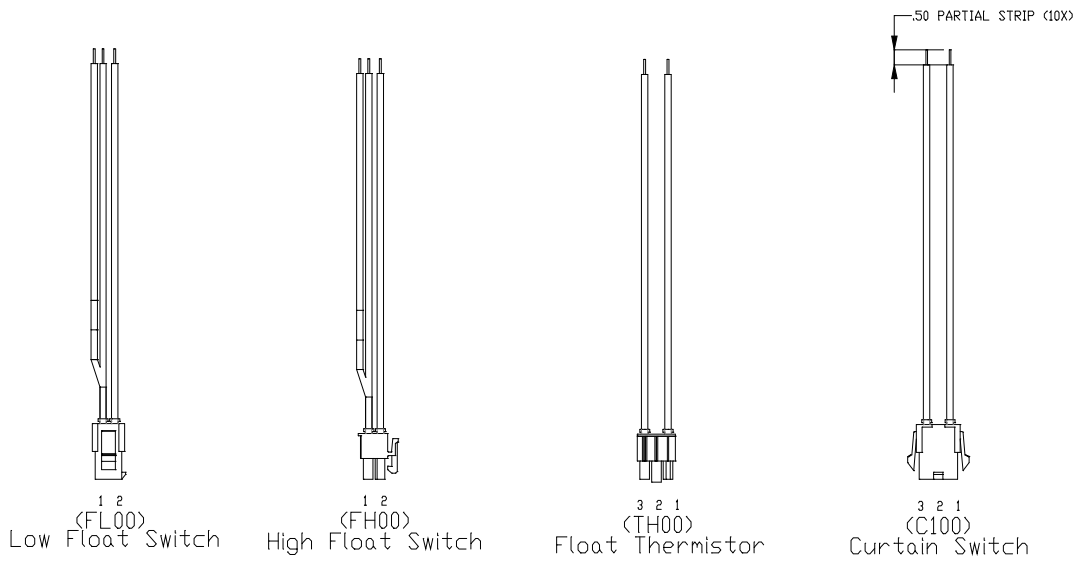
| | | | | | |
|-------------------|-------------------|-------------------|-------------------|-------------------|-----------------------|
| 9181139-11 | 9181240-11 | 9181140-12 | 9181140-13 | 9181141-12 | Compressor Kit |
| 9181003-07 | 9181003-44 | 9181003-32 | N/A | 9181003-07 | Start Capacitor |
| 9181009-16 | 9181009-12 | 9181009-17 | N/A | 9181009-12 | Run Capacitor |
| 9181010-12 | 9181010-10 | 9181010-04 | N/A | 9181010-12 | Potential Relay |
| Internal | Internal | Internal | Internal | Internal | Overload |

Wiring harness service kits are now available to provide a specific connector to be replaced due to a damaged connector or wire.

| <u>Kit Part Number</u> | <u>Components Serviced</u> | <u>Voltage</u> |
|------------------------|---|----------------|
| 1051237-01 | Water Pump, Harvest Assist, Hot Gas Valv 115 or 230 | 115 or 230 |
| 1051237-02 | Low Float Switch, High Float Switch, Thermistor, Curtain Switch | 12 Volt D.C. |



KIT, WIRING HARNESS, LINE VOLTAGE
1051237-01



KIT, WIRING HARNESS, SIGNAL VOLTAGE
1051237-02