

# **Ice-O-Matic**®

Ice. Pure and Simple™

## **SERVICE PARTS MANUAL CIM SERIES CIM1545, CIM1845, CIM1446, CIM1447, CIM2046 and CIM2047 Air Cooled, Water Cooled and Remote**





This parts list contains the service parts available for the following CIM Series.

**CIM1446** 208-230/60/1

**CIM1447** 208-230/60/3

**CIM2046** 208-230/60/1

**CIM2047** 208-230/60/3

**CIM1545** 220-240/50/1

**CIM1845** 220-240/50/1

**Model Number Example**

**CIM1446HA**

**CIM** = **C**uber **I**ce **M**achine

**14** = 1400 lb, in 24 hours capacity    **15**=1500 lbs,    **18**=1800lbs,    **20**=2000 lbs.

**4** = 48 inch wide cabinet

**0** = 115 Volt,    **5** = 220-240/50/1    **6** = 208-230/60/1    **7** = 208-230/60/3

**H** = Half Cube Size,    **F** = Full Cube Size

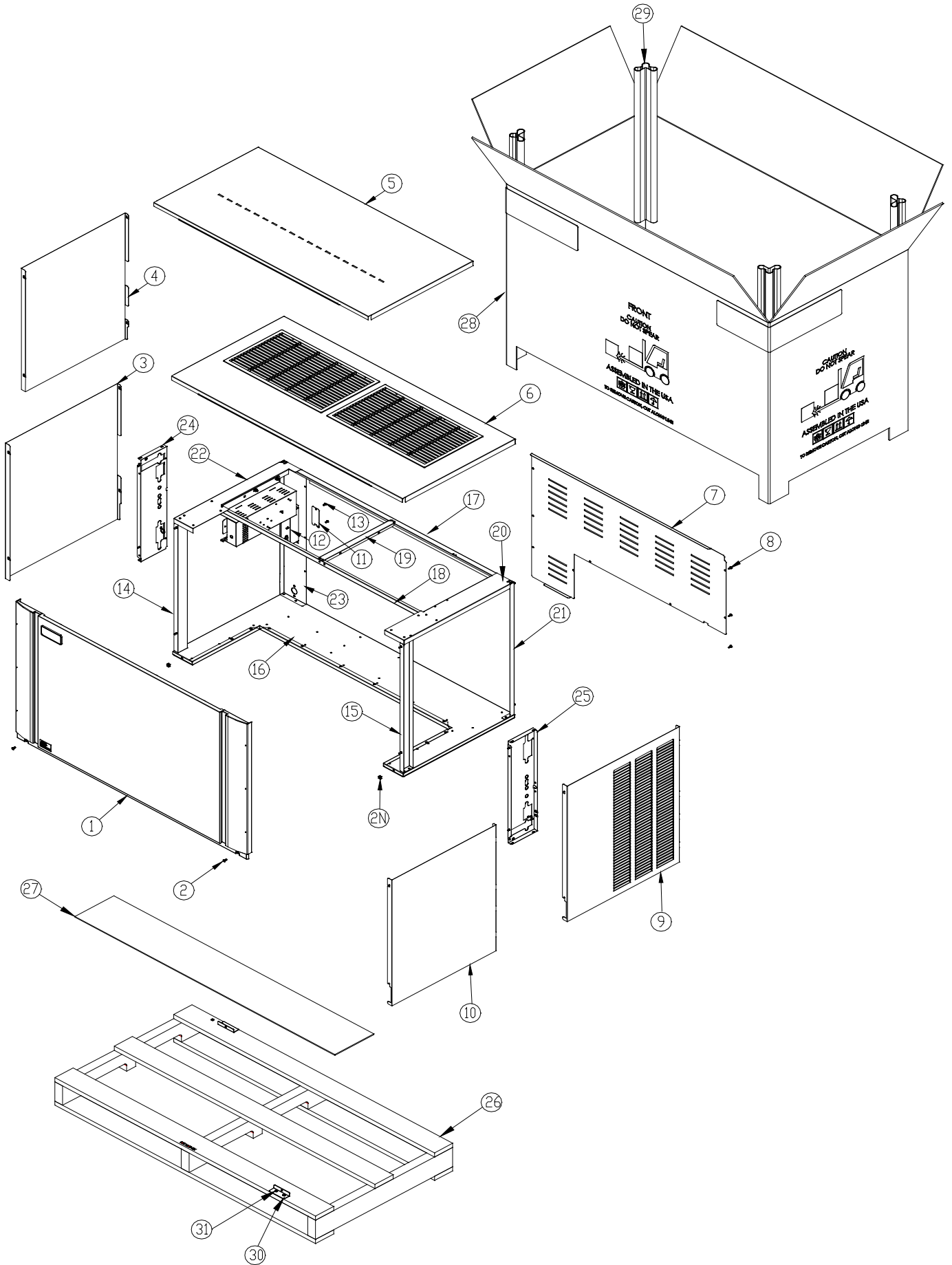
**A** = Air Cooled Condenser,    **W** = Water Cooled Condenser    **R**=Remote Condenser

**Check the model number on the data plate and refer to the correct listing for the specific component.**

Check carefully that the correct part is identified and ordered.

<b>Table of Contents</b>	<b>Page 1</b>
<b>Cabinet</b>	<b>Page 2-3</b>
<b>Water System</b>	<b>Page 4-5</b>
<b>Air Cooled Condenser</b>	<b>Page 6-7</b>
<b>Water Cooled Condenser</b>	<b>Page 8-9</b>
<b>Remote Condenser</b>	<b>Page 10-11</b>
<b>Electrical</b>	<b>Page 12-13</b>

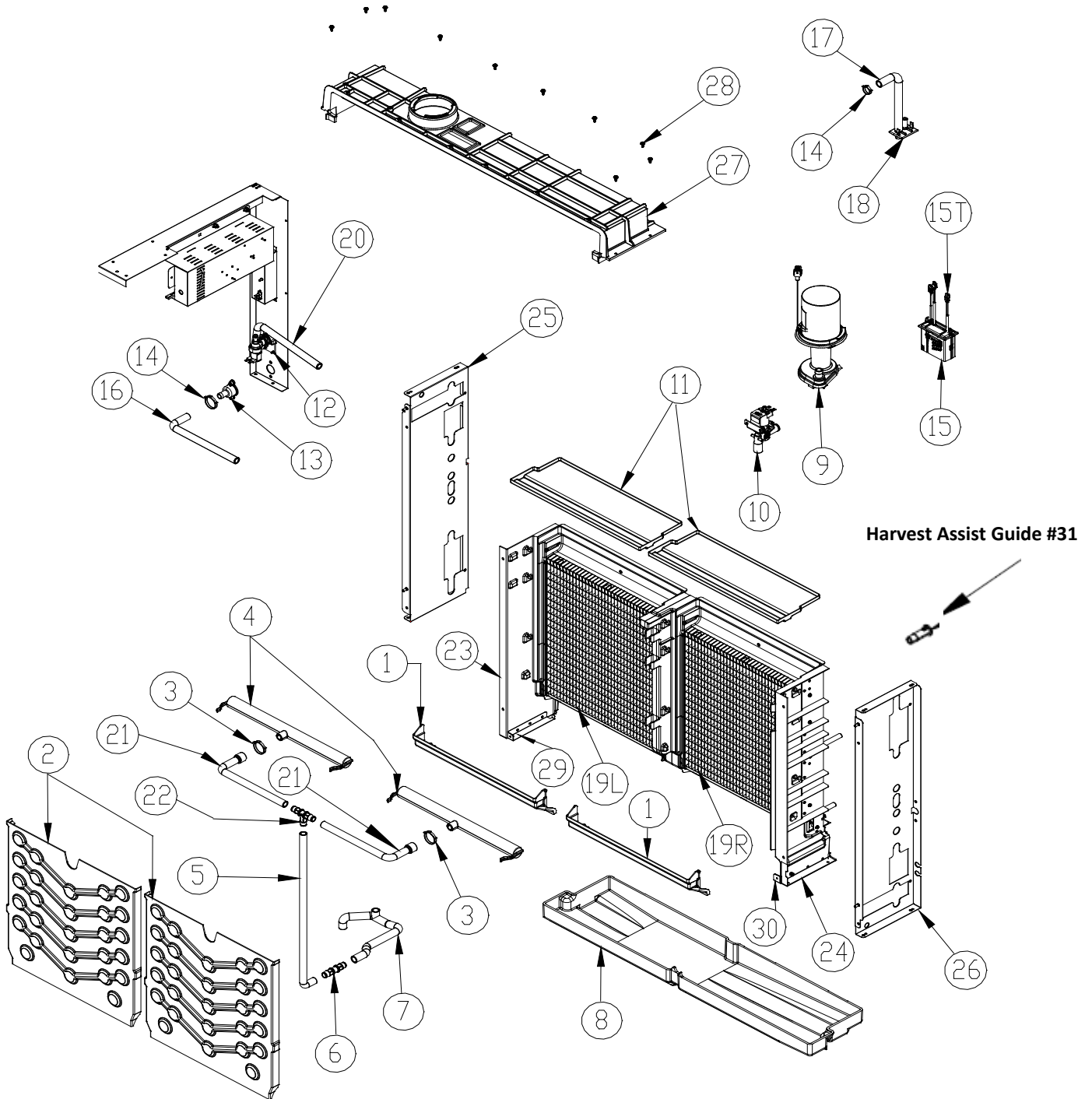
Ice-O-Matic  
 11100 East 45th Ave.  
 Denver Co. 80239  
 800-423-3367



Item No.	Model Number				Description	
	CIM1446	CIM1447		CIM2046		CIM2047
1	2031546-01S	2031546-01S		2031546-01S	2031546-01S	Front Panel
2	9031098-02P	9031098-02P		9031098-02P	9031098-02P	Front Panel Screws
2N	9031141-01P	9031141-01P		9031141-01P	9031141-01P	Plastic Nut
3	3022007-05	3022007-05		3022007-05	NA	Left Side Panel-Air Cooled
4	3022007-05	3022007-05		3022007-05	3022007-05	Left Side Panel-Remote and Water Cooled
5	3022012-05	3022012-05		3022012-05	3022012-05	Top Panel-Remote and Water Cooled
6	3022012-09	3022012-09		3022012-09	NA	Top Panel-Air Cooled
7	3013634-03	3013634-03		3013634-03	3013634-03	Rear Cover, Remote
8	9031046-01P	9031046-01P		9031046-01P	9031046-01P	Rear Cover Screws
9	3022007-04	3022007-04		3022007-04	NA	Right Side Panel-Air Cooled
10	3022007-06	3022007-06		3022007-06	3022007-06	Right Side Panel-Remote and Water Cooled
11	3013674-01	3013674-01		3013674-01	3013674-01	Junction Box Cover
12	2101494-01	2101494-01		2101494-01	2101494-01	Junction Box
13	9031046-01P	9031046-01P		9031046-01P	9031046-01P	Junction Box Screw
14	2021801-01	2021801-01		2021801-01	2021801-01	Left Front Corner post
15	2021801-02	2021801-02		2021801-02	2021801-02	Right Front Corner post
16	2101505-01	2101505-01		2101505-01	2101505-01	Base
17	3013636-02	3013636-02		3013636-02	3013636-02	Rear Brace 48
18	3013637-03	3013637-03		3013637-03	3013637-03	Front Brace
19	3013705-01	3013705-01		3013705-01	3013705-01	Cross Brace
20	3013722-01	3013722-01		3013722-01	3013722-01	Top Right Frame Work
21	2021808-01	2021808-01		2021808-01	2021808-01	Right Rear Corner
22	2021812-01	2021812-01		2021812-01	2021812-01	Top Left Frame 48 inch
23	2021806-01	2021806-01		2021806-01	2021806-01	Left Side Framework Assembly 48 inch
24	2021800-01	2021800-01		2021800-01	2021800-01	Front Left Brace Assembly
25	2021800-02	2021800-02		2021800-02	2021800-02	Front Right Brace Assembly
26	9011369-01	9011369-01		9011369-01	9011369-01	Elevation Skid
27	9011378-03	9011378-03		9011378-03	9011378-03	Carton Liner, Elevation 48 inch
28	9011374-03	9011374-03		9011374-03	9011374-03	Carton, Elevation 48 inch
29	9011320-06	9011320-06		9011320-06	9011320-06	Corner Post, (4 Required)
30	9051765-01	9051765-01		9051765-01	9051765-01	Shipping Bracket 4 Req. (Field Installed)
31	9031241-01P	9031241-01P		9031241-01P	9031241-01P	Screw



Item No.	Model Number		Description
	CIM1845	CIM1545	
1	2031546-01S	2031546-01S	Front Panel
2	9031098-02P	9031098-02P	Front Panel Screws
2N	9031141-01P	9031141-01P	Plastic Nut
3	3022007-05	3022007-05	Left Side Side Panel-Air Cooled (Solid)
4	3022007-05	3022007-05	Left Side Panel-Remote and Water Cooled
5	3022012-05	3022012-05	Top Panel-Remote and Water Cooled
6	3022012-09	3022012-09	Top Panel-Air Cooled
7	3013634-03	3013634-03	Rear Cover, Remote
8	9031046-01P	9031046-01P	Rear Cover Screws
9	3022007-04	3022007-04	Right Side Panel-Air Cooled
10	3022007-06	3022007-06	Right Side Panel-Remote and Water Cooled
11	3013674-01	3013674-01	Junction Box Cover
12	2101494-01	2101494-01	Junction Box
13	9031046-01P	9031046-01P	Junction Box Screw
14	2021801-01	2021801-01	Left Front Corner post
15	2021801-02	2021801-02	Right Front Corner post
16	2101505-01	2101505-01	Base
17	3013636-02	3013636-02	Rear Brace 48
18	3013637-03	3013637-03	Front Brace
19	3013705-01	3013705-01	Cross Brace
20	3013722-01	3013722-01	Top Right Frame Work
21	2021808-01	2021808-01	Right Rear Corner
22	2021812-01	2021812-01	Top Left Frame 48 inch
23	2021806-01	2021806-01	Left Side Framework Assembly 48 inch
24	2021800-01	2021800-01	Front Left Brace Assembly
25	2021800-02	2021800-02	Front Right Brace Assembly
26	9011369-01	9011369-01	Elevation Skid
27	9011378-03	9011378-03	Carton Liner, Elevation 48 inch
28	9011374-03	9011374-03	Carton, Elevation 48 inch
29	9011320-06	9011320-06	Corner Post, (4 Required)
30	9051765-01	9051765-01	Shipping Bracket 4 Req. (Field Installed)
31	9031241-01P	9031241-01P	Screw



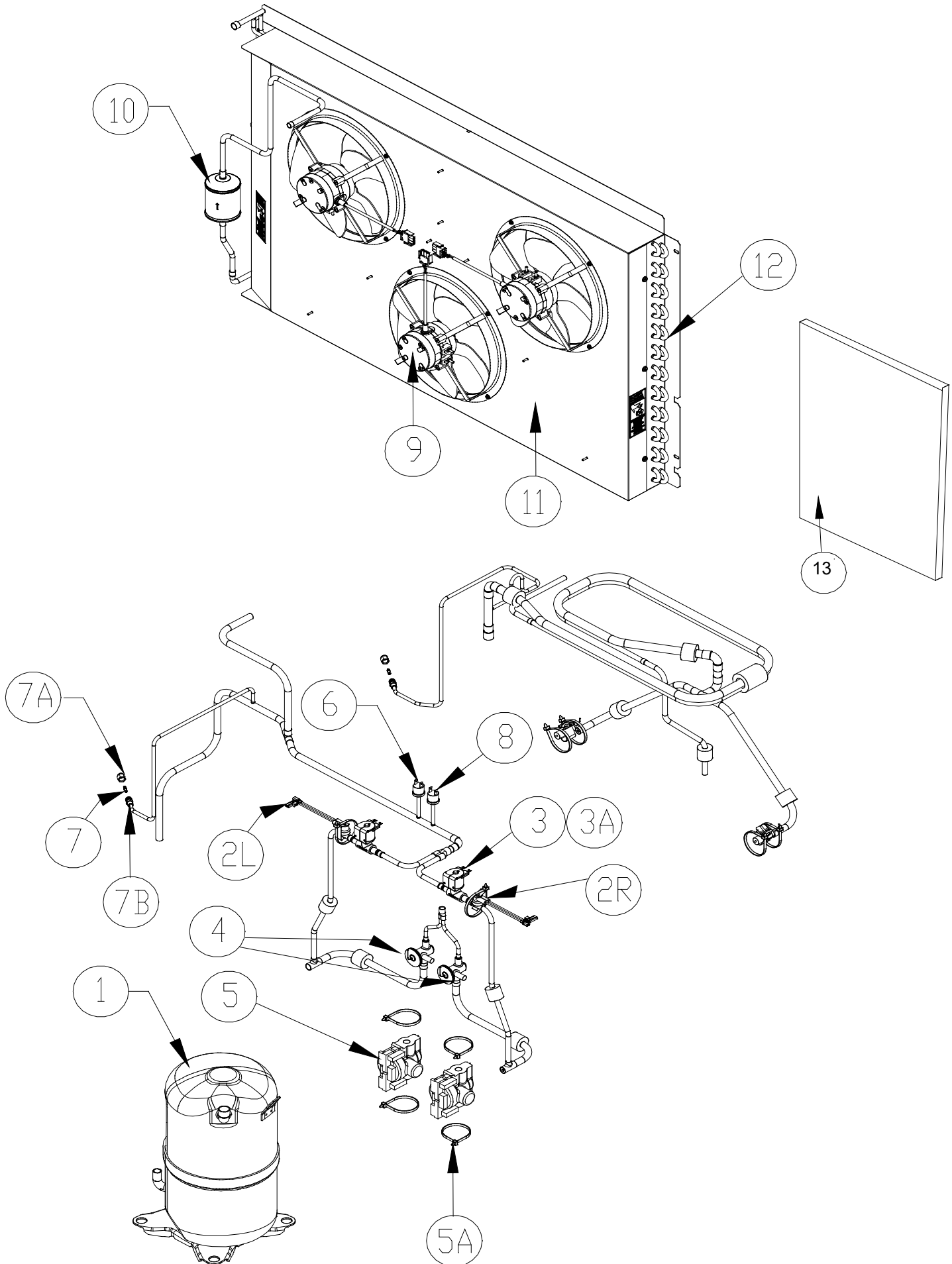


Item No.	Model Number			CIM1545		CIM1845	Description
	CIM1446 CIM1447	CIM2046 CIM2047					
1	9051823-01S	9051823-01S		9051823-01S	9051823-01S	9051823-01S	Lower Curtain Assembly
2	9051760-01	9051760-01		9051760-01	9051760-01	9051760-01	Evaporator Cover
3	9021010-06	9021010-06		9021010-06	9021010-06	9021010-06	Hose Clamp, Plastic
4	9051766-01	9051766-01		9051766-01	9051766-01	9051766-01	Water Distribution Tube Assembly
5	9051749-06	9051749-06		9051749-06	9051749-06	9051749-06	Water Tube, Lower, Dual
6	9091177-02	9091177-02		9091177-02	9091177-02	9091177-02	Coupler, Straight, 5/8 I.D. Tubing
7	9051748-01	9051748-01		9051748-01	9051748-01	9051748-01	Water Tube, Sump
8	9051771-01	9051771-01		9051771-01	9051771-01	9051771-01	Sump/Dual Evap
9	2062336-04S	2062336-04S		2062336-04S	2062336-04S	2062336-04S	Water Pump
10	9041105-05	9041105-05		9041105-05	9041105-05	9041105-05	Purge Valve
11	9051738-01	9051738-01		9051738-01	9051738-01	9051738-01	Top Cover
12	9041108-03	9041108-03		9041108-03	9041108-03	9041108-03	Water Inlet Valve
13	9091140-01	9091140-01		9091140-01	9091140-01	9091140-01	Purge Drain Fitting
14	9021010-04	9021010-04		9021010-04	9021010-04	9021010-04	Hose Clamp, Plastic
15	1051224-01	1051224-01		1051224-01	1051224-01	1051224-01	Float Switch Assembly (Includes Instructions)
15T	9041112-01	9041112-01		9041112-01	9041112-01	9041112-01	Float Switch Thermister
16	9051781-31	9051781-31		9051781-31	9051781-31	9051781-31	Purge Valve Tubing to Drain
16a	9051856-01	9051856-01		9051856-01	9051856-01	9051856-01	Purge Valve Tubing to Drain (Rev 5 & Up)
17	9051541-01	9051541-01		9051541-01	9051541-01	9051541-01	Purge Tube
18	9051739-01	9051739-01		9051739-01	9051739-01	9051739-01	Inlet Outlet Bracket
19	1051380-01A*	1051380-01A*		1051380-01A*	1051380-01A*	1051380-01A*	Evaporator-FULL Cube tp (1051223-05 NLA)
19	1051380-02A*	1051380-02A*		1051380-02A*	1051380-02A*	1051380-02A*	Evaporator-HALF Cube tp (1051223-06 NLA)
20	9051782-36	9051782-36		9051782-36	9051782-36	9051782-36	Tubing, Water Inlet
21	9051749-07	9051749-07		9051749-07	9051749-07	9051749-07	Water Tube, Upper Dual
22	9091181-01	9091181-01		9091181-01	9091181-01	9091181-01	Coupler, Tee, 5/8 I.D. Tubing
23	9051758-01	9051758-01		9051758-01	9051758-01	9051758-01	Evaporator Support Left Side
24	9051259-01	9051259-01		9051259-01	9051259-01	9051259-01	Evaporator Support Right Side
25	2021800-01	2021800-01		2021800-01	2021800-01	2021800-01	Front Left Brace Assembly
26	2021800-02	2021800-02		2021800-02	2021800-02	2021800-02	Front Right Brace Assembly
27	9051767-01	9051767-01		9051767-01	9051767-01	9051767-01	Base, 48 inch Cuber
28	9031046-01P	9031046-01P		9031046-01P	9031046-01P	9031046-01P	Screw, 10-16 x 1/2
29	1051244-01	1051244-01		1051244-01	1051244-01	1051244-01	Left Side Sump Tab Replacement Kit
30	1051245-01	1051245-01		1051245-01	1051245-01	1051245-01	Right Side Sump Tab Replacement Kit
31	9051744-01	9051744-01		9051744-01	9051744-01	9051744-01	Harvest Assist Guide (for unit S/Ns before #2102)
31	9051001-02	9051001-02		9051001-02	9051001-02	9051001-02	Harvest Assist Guide (for unit S/Ns 2102 & above)
32	9051840-01	9051840-01		9051840-01	9051840-01	9051840-01	Poppet Valve (for the Evaporator Sump)
	2021776-01S	2021776-01S		2021776-01S	2021776-01S	2021776-01S	Compressor Base (Not Shown)
	208-230/60/3	208-230/60/3		220-240/50/1	220-240/50/1	220-240/50/1	← Machine Voltage

The Model Number of the machine has a designator for the Cube Size

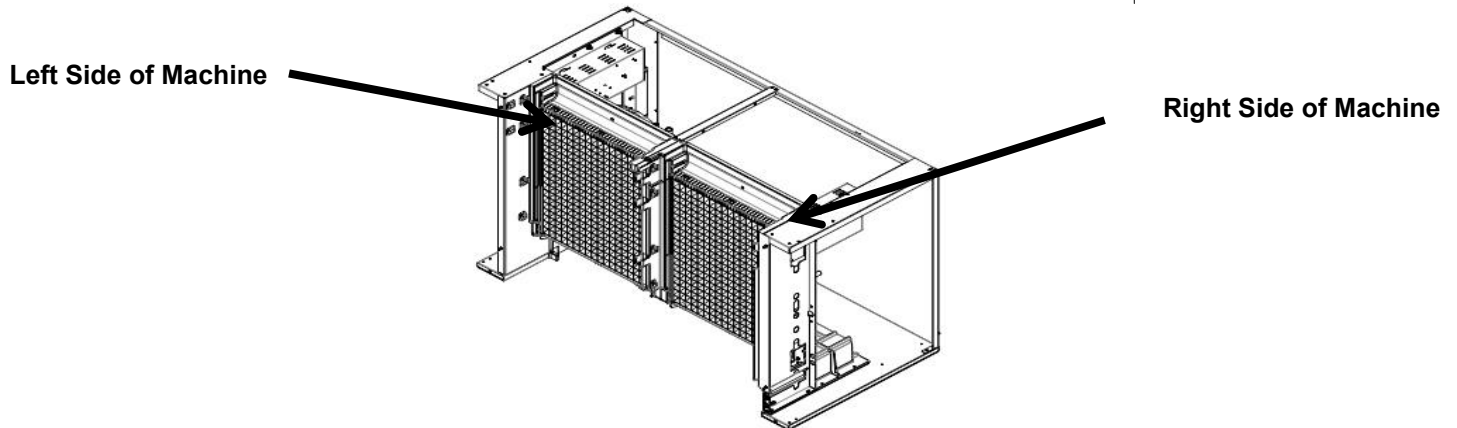
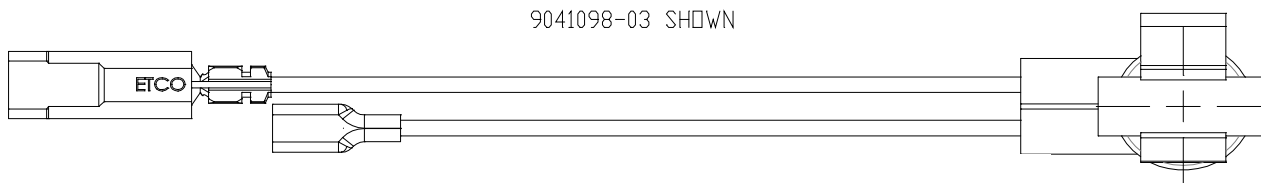
Example: CIM1446**FA**                      **F** = Full Cube                      Cube Size = 7/8 x 7/8 x 7/8  
 CIM1446**HA**                      **H** = Half Cube                      Cube Size = 3/8 x 7/8 x 7/8

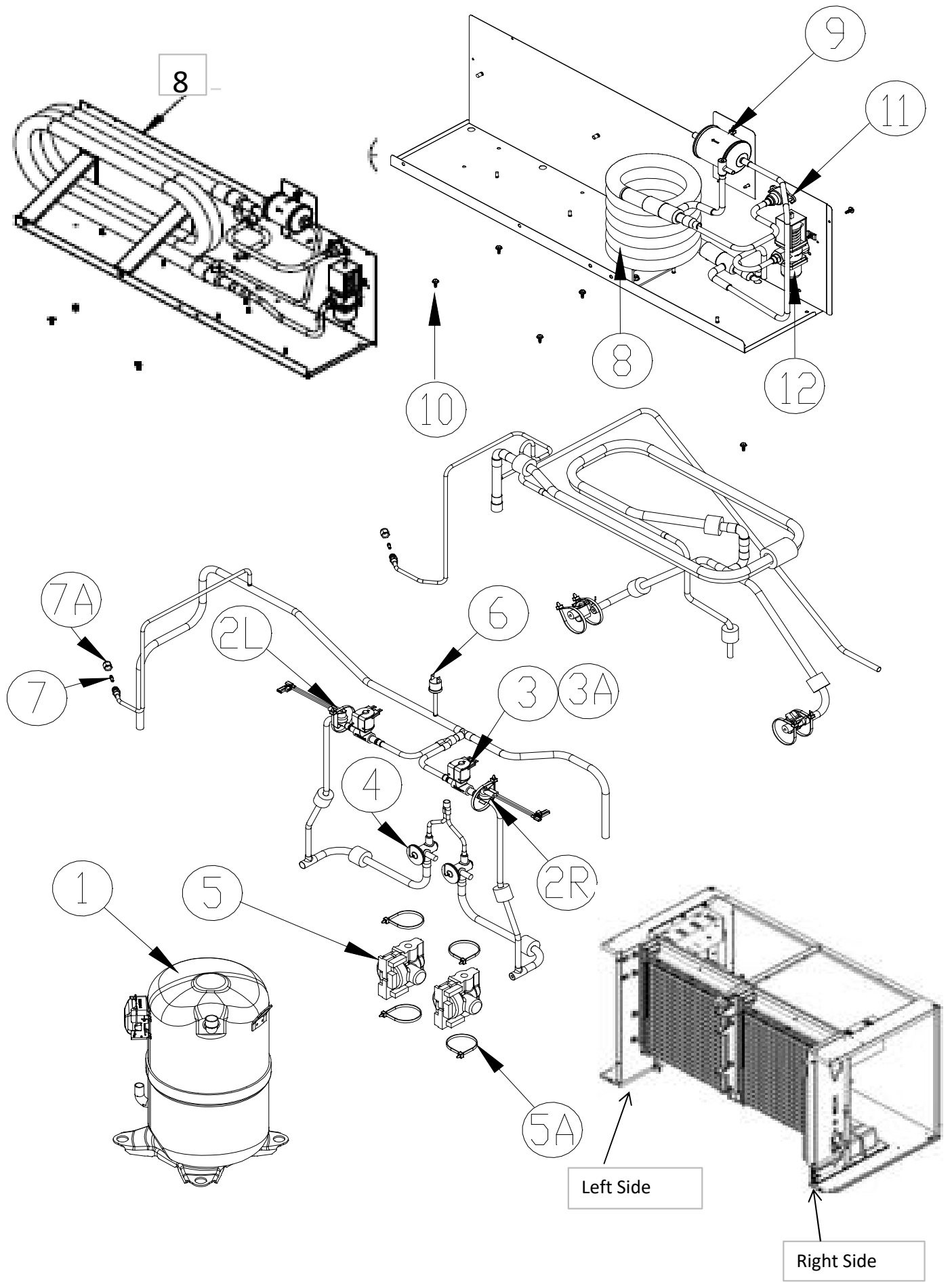
\*Note: The Left Hand Evaporator and Right Hand Evaporator have the same Part Number



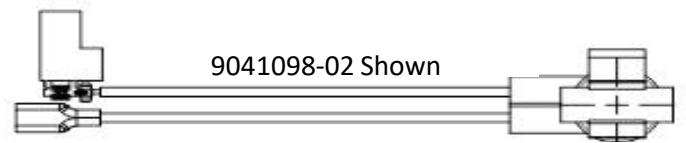
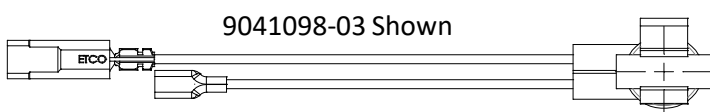
Item No.	Model Number					Description
	CIM1446A	CIM1447A	CIM2046	CIM1545A	CIM1845A	
1	9181197-11	9181143-12	9181143-11	9181142-13	9181143-12	Compressor Kit
2R	9041098-02	9041098-02	9041098-02	9041098-02	9041098-02	High Temp Switch-Right Side of the machine
2L	9041098-03	9041098-03	9041098-03	9041098-03	9041098-03	High Temp Switch-Left Side of the machine
3	9151193-02	9151193-02	9151193-02	9151193-02	9151193-02	Hot Gas Valve Coil (240 V)
3A	9151192-02	9151192-02	9151192-02	9151192-02	9151192-02	Hot Gas Valve Body
4	9151152-101	9151165-101	9151165-101	9151165-101	9151165-101	TXV
5	9131544-01	9131544-01	9131544-01	9131544-01	9131544-01	Insulation, TXV
5A	9021021-01	9021021-01	9021021-01	9021021-01	9021021-01	Cable Tie-For TXV and Bulb Insulation
6	9041106-01	9041106-01	9041106-01	9041106-01	9041106-01	Switch, Fan Cycle
7	9091086-03	9091086-03	9091086-03	9091086-03	9091086-03	Service Valve Cap
7A	9091086-02	9091086-02	9091086-02	9091086-02	9091086-02	Service Valve Core
7B	9091086-01	9091086-01	9091086-01	9091086-01	9091086-01	Service Valve Stem
8	9041111-01	9041111-01	9041111-01	9041111-01	9041111-01	Switch, High Pressure
9	9161143-02	9161143-02	9161143-02	9161143-02	9161143-02	Fan Motor Assembly (Motors the Same)
10	9151163-02	9151163-02	9151163-02	9151163-02	9151163-02	Drier (Included in Compressor Kit)
11	3013639-02	3013639-02	3013831-01	3013639-02	3013639-02	Fan Shroud
12	9141154-01	9141154-01	9141154-02	9141154-01	9141154-01	Condenser
13	9131574-03	9131574-03	9131574-03	9131574-03	9131574-03	Air Filter

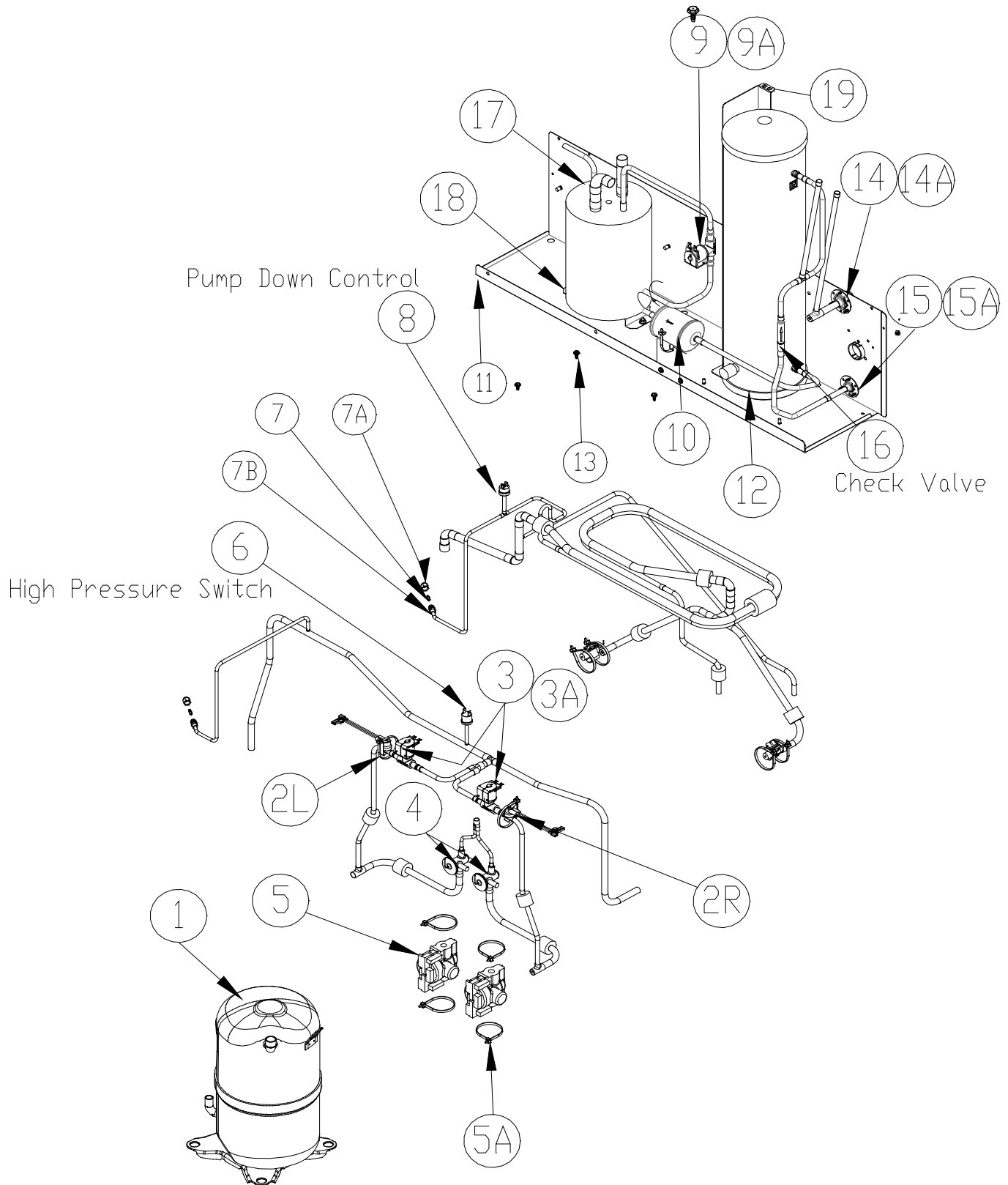
	208-230/60/1	208-230/60/3	208-230/60/1	220-240/50/1	220-240/50/1	← Machine Voltage
	CIM1446	CIM1447	CIM2046	CIM1545	CIM1845	Starting Components (Included in Comp Kit)
	9181197-11	9181143-12	9181143-11	9181142-13	9181143-12	Compressor Kit
	9181003-21	N/A	9181003-21	9181003-19	9181003-20	Start Capacitor
	9181009-25	N/A	9181009-20	9181009-13	9181009-13	Run Capacitor
	9181010-10	N/A	9181010-10	9181010-10	9181010-04	Compressor Relay
	Internal	Internal	Internal	Internal	Internal	Overload



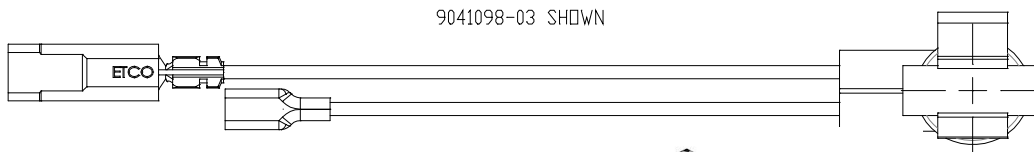
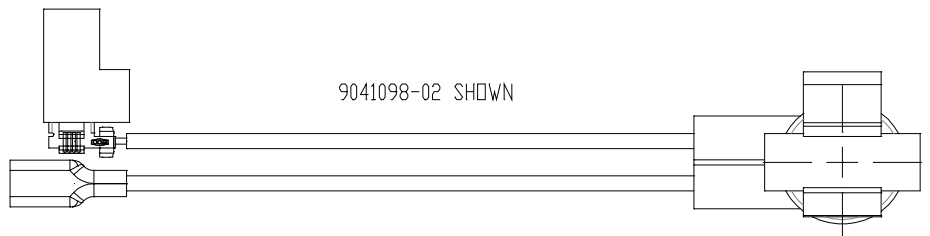


Item No.	Model Number				Description
	CIM1446W	CIM1447W	CIM2046W	CIM2047W	
1	9181142-11	9181142-12	9181143-11	9181143-13	Compressor Kit
2R	9041098-02	9041098-02	9041098-02	9041098-02	High Temp Switch-Right side of the machine
2L	9041098-03	9041098-03	9041098-03	9041098-03	High Temp Switch-Left side of the machine
3	9151192-02	9151192-02	9151198-01	9151198-01	Hot Gas Valve Body
3A	9151193-02	9151193-02	9151193-02	9151193-02	Hot Gas Valve Coil
4	9151152-101	9151152-101	9151199-101	9151199-101	TXV
5	9131544-01	9131544-01	9131544-01	9131544-01	Insulation, TXV
5A	9021025-01	9021025-01	9021025-01	9021025-01	Cable Tie-For TXV and Bulb Insulation
6	9041111-01	9041111-01	9041111-01	9041111-01	Switch, High Pressure
7	9091086-03	9091086-03	9091086-03	9091086-03	Service Valve Cap
7A	9091086-02	9091086-02	9091086-02	9091086-02	Service Valve Core
7B	9191086-01	9191086-01	9091086-01	9091086-01	Service Valve Stem
8	9141157-01	9141157-01	9141158-01	9141158-01	Water Cooled Condenser
9	9151163-02	9151163-02	9151163-02	9151163-02	Drier (Included in Compressor Kit)
10	9031046-01P	9031046-01P	9031046-01P	9031046-01P	Screw
11	9091063-02	9091063-02	9091063-02	9091063-02	Condenser Outlet Fitting
12	9041059-01	9041059-01	9041056-01	9041056-01	Water Regulator
	CIM1446W	CIM1447W	CIM2046W	CIM2047	Starting Components (Included in Comp Kit)
	9181142-11	9181142-12	9181143-11	9181143-13	Compressor Kit
	9181003-21	N/A	9181003-21	N/A	Start Capacitor
	9181009-20	N/A	9181009-20	N/A	Run Capacitor
	9181010-10	N/A	9181010-10	N/A	Potential Relay
	Internal	Internal	Internal	Internal	Overload
	208-230/60/1	208-230/60/3	208-230/60/1	208-230/60/3	← Machine Voltage
Model Number					
Item No.					Description
			CIM1545W	CIM1845W	
			9181142-13	9181143-12	Compressor Kit
1			9041098-02	9041098-02	High Temp Switch-Right side of the machine
2R			9041098-03	9041098-03	High Temp Switch-Left side of the machine
2L			9041092-02	9041092-02	Hot Gas Valve Body
3			9151193-02	9151193-02	Hot Gas Valve Coil
3A			9151165-101	9151199-101	TXV
4			9131544-01	9131544-01	Insulation, TXV
5			9021025-01	9021025-01	Cable Tie-For TXV and Bulb Insulation
5A			9041111-01	9041111-01	Switch, High Pressure
6			9091086-03	9091086-03	Service Valve Cap
7			9091086-02	9091086-02	Service Valve Core
7A			9091086-01	9091086-01	Service Valve Stem
7B			9141157-01	9141157-01	Water Cooled Condenser
8			9151163-02	9151163-02	Drier (Included in Compressor Kit)
9			9031046-01P	9031046-01P	Screw
10			9091063-02	9091063-02	Condenser Outlet Fitting
11			9041059-01	9041059-01	Water Regulator
12			CIM1545W	CIM1845W	Starting Components (Included in Comp Kit)
			9181142-13	9181143-12	Compressor Kit
			9181003-19	9181003-34	Start Capacitor
			9181009-13	9181009-20	Run Capacitor
			9181010-10	9181010-04	Potential Relay
			Internal	Internal	Overload
			208-230/50/1	208-230/50/1	← Machine Voltage

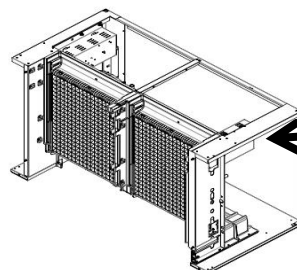




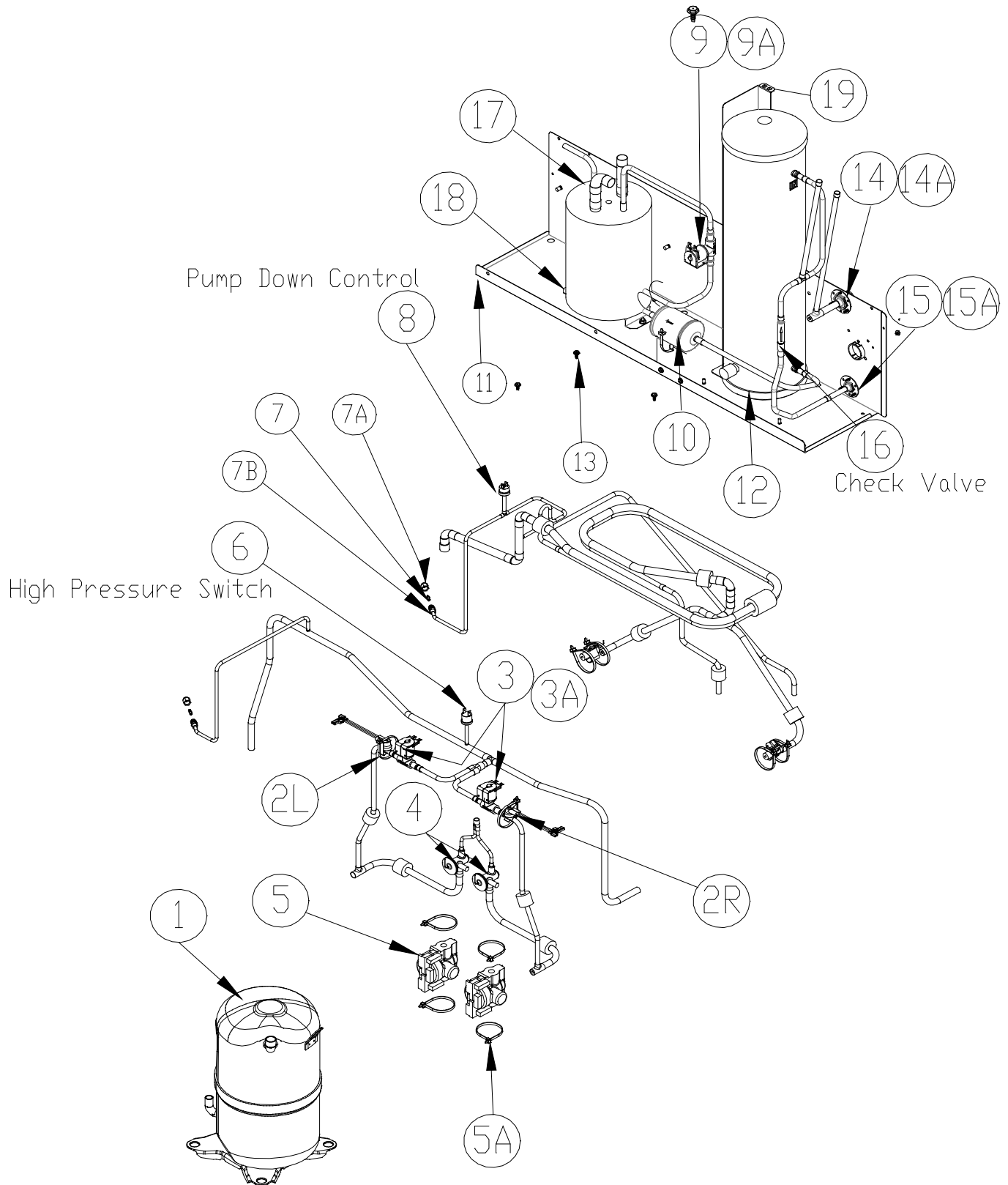
Item No.	Model Number				Description	
	CIM1446R	CIM1447R		CIM2046R		CIM2047R
1B	9181142-11	9181142-12		9181143-11	9181143-13	Compressor Kit
2R	9041098-02	9041098-02		9041098-02	9041098-02	High Temp Switch-Right side of the machine
2L	9041098-03	9041098-03		9041098-03	9041098-03	High Temp Switch-Left side of the machine
3	9151192-02	9151192-02		9151198-01	9151198-01	Hot Gas Valve Body
3A	9151193-02	9151193-02		9151193-02	9151193-02	Hot Gas Valve Coil
4	9151152-101	9151165-101		9151152-101	9151152-101	TXV
5	9131544-01	9131544-01		9131544-01	9131544-01	Insulation, TXV
5A	9021025-01	9021025-01		9021025-01	9021025-01	Cable Tie-For TXV and Bulb Insulation
6	9041111-01	9041111-01		9041111-01	9041111-01	Switch, High Pressure
7	9091086-03	9091086-03		9091086-03	9091086-03	Service Valve Cap
7A	9091086-02	9091086-02		9091086-02	9091086-02	Service Valve Core
7B	9191086-01	9191086-01		9091086-01	9091086-01	Service Valve Stem
8	9041092-02	9041092-02		9041092-02	9041092-02	Pump Down Control
9	9151192-02	9151192-02		9151192-02	9151192-02	Liquid Line Solenoid
9A	9151193-02	9151193-02		9151193-02	9151193-02	Liquid Line Coil
10	9151163-02	9151163-02		9151163-02	9151163-02	Drier (Included in Compressor Kit)
11	2021807-01	2021807-01		2021807-01	2021807-01	Base
12	9151060-01	9151060-01		9151109-01	9151109-01	Receiver
13	9031046-01P	9031046-01P		9031046-01P	9031046-01P	Screws
14	9091001-09	9091001-09		9091001-09	9091001-09	1/2 Inch Coupling Flange (Large)
14A	9091001-12	9091001-12		9091001-12	9091001-12	1/2 Inch Coupling (Large)
15	9091001-03	9091001-03		9091001-03	9091001-03	3/8 Inch Coupling Flange (Small)
15A	9091001-11	9091001-11		9091001-11	9091001-11	3/8 Inch Coupling (Small)
16	9151139-01	9151139-01		9151139-01	9151139-01	Check Valve
17	NA	NA		2091241-01	2091241-01	Accumulator
18	NA	NA		3013721-01	3013721-01	Accumulator Support bracket
19	NA	NA		3013710-01	3013710-01	Large Receiver Bracket
	CIM1446R	CIM1447R		CIM2046R	CIM2047R	Starting Components (Included in Comp Kit)
	9181142-11	9181142-12		9181143-11	9181143-13	Compressor Kit
	9181003-19	N/A		9181003-21	N/A	Start Capacitor
	9181009-12	N/A		9181009-20	N/A	Run Capacitor
	9181010-10	N/A		9181010-10	N/A	Potential Relay
	Internal	Internal		Internal	Internal	Overload
	208-230/60/1	208-230/60/3		208-230/60/1	208-230/60/3	← Machine Voltage



Left Side of Machine →

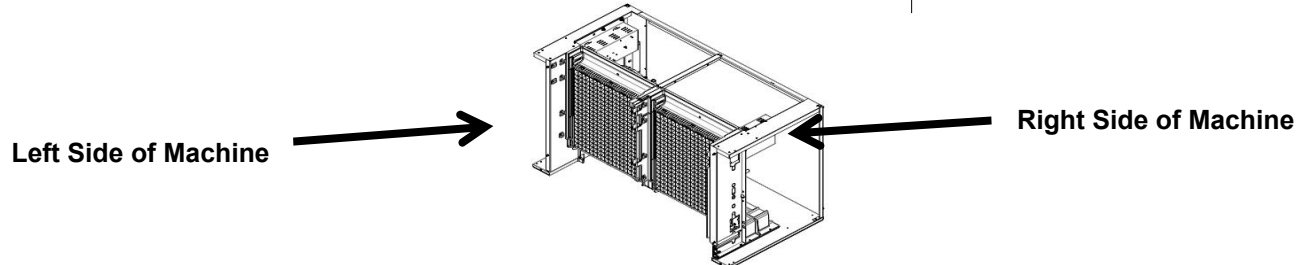
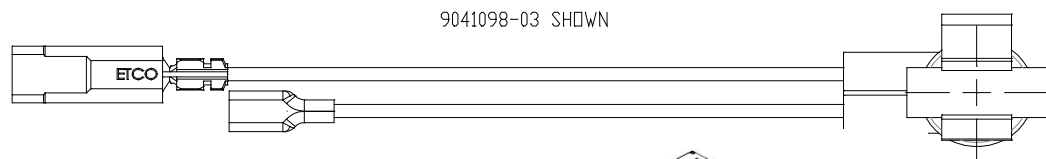
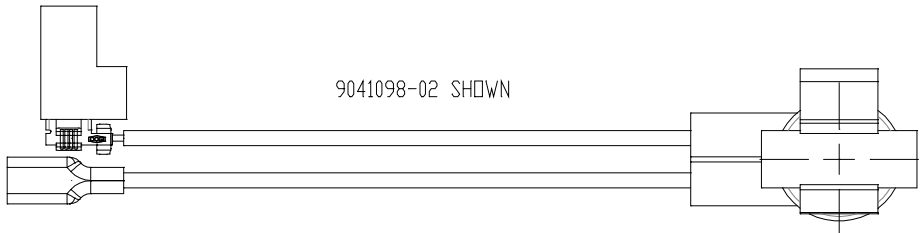


← Right Side of Machine

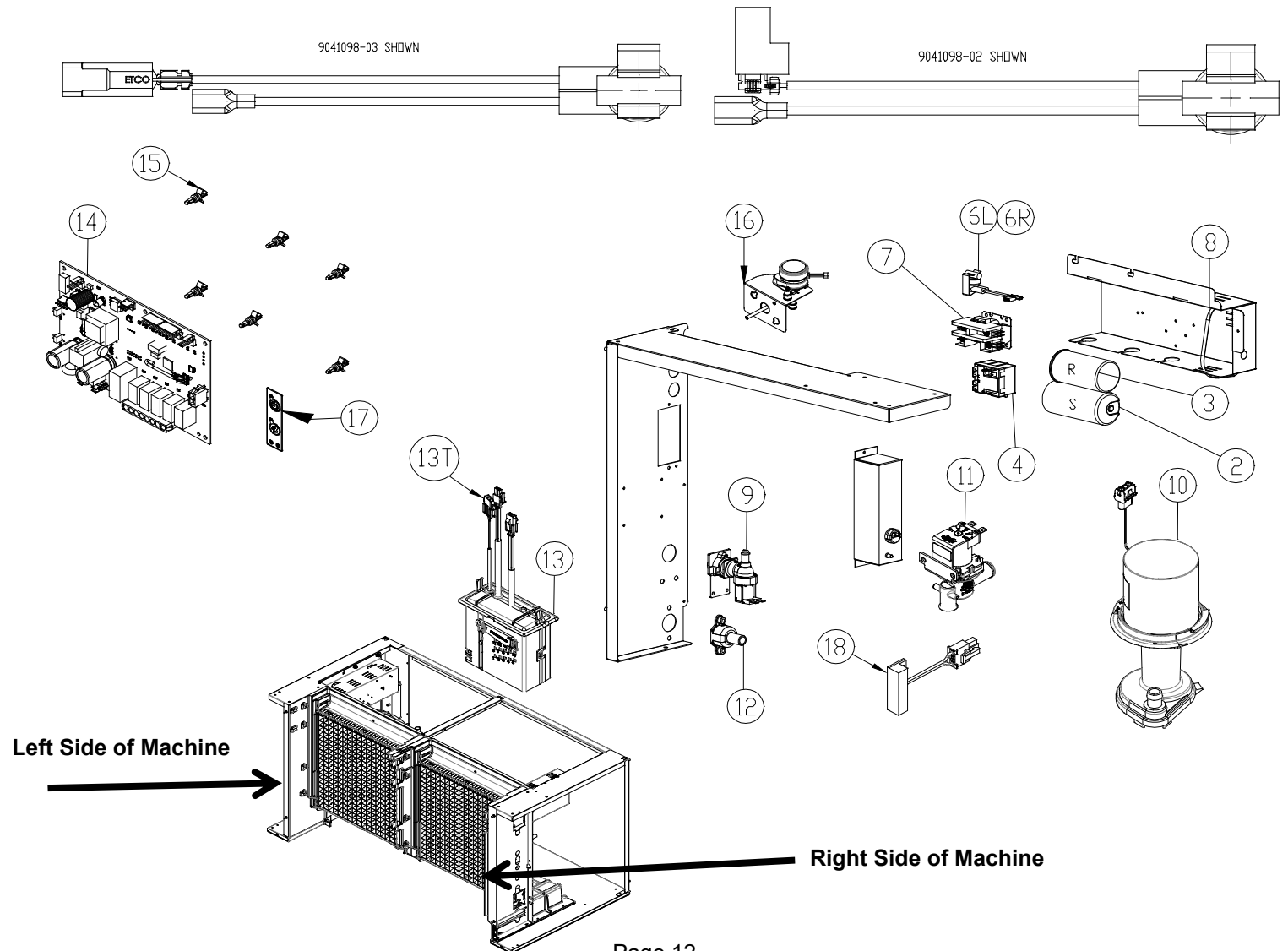




Item No.	Model Number				Description
			CIM1545R	CIM1845R	
1B			9181142-13	9181143-12	Compressor Kit
2R			9041098-02	9041098-02	High Temp Switch-Right side of the machine
2L			9041098-03	9041098-03	High Temp Switch-Left side of the machine
3			9151192-02	9151198-01	Hot Gas Valve Body
3A			9151193-02	9151193-02	Hot Gas Valve Coil
4			9151165-101	9151152-101	TXV
5			9131544-01	9131544-01	Insulation, TXV
5A			9021025-01	9021025-01	Cable Tie-For TXV and Bulb Insulation
6			9041111-01	9041111-01	Switch, High Pressure
7			9091086-03	9091086-03	Service Valve Cap
7A			9091086-02	9091086-02	Service Valve Core
7B			9091086-01	9091086-01	Service Valve Stem
8			9041092-02	9041092-02	Pump Down Control
9			9151192-02	9151192-02	Liquid Line Solenoid
9A			9151193-02	9151193-02	Liquid Line Coil
10			9151163-02	9151163-02	Drier (Included in Compressor Kit)
11			2021807-01	2021807-01	Base
12			9151060-01	9151109-01	Receiver
13			9031046-01P	9031046-01P	Screws
14			9091001-09	9091001-09	1/2 Inch Coupling Flange (Large)
14A			9091001-12	9091001-12	1/2 Inch Coupling (Large)
15			9091001-03	9091001-03	3/8 Inch Coupling Flange (Small)
15A			9091001-11	9091001-11	3/8 Inch Coupling (Small)
16			9051139-01	9051139-01	Check Valve
17			NA	2091241-01	Accumulator
18			NA	3013721-01	Accumulator Support bracket
19			3013678-01	3013710-01	Receiver Support
			CIM1545R	CIM1845R	Starting Components (Included in Comp Kit)
			9181142-13	9181143-12	Compressor Kit
			9181003-19	9181003-34	Start Capacitor
			9181009-13	9181009-20	Run Capacitor
			9181010-10	9181010-04	Potential Relay
			Internal	Internal	Overload
			208-230/50/1	208-230/50/1	← Machine Voltage



Item No.	Model Number				Description	
	CIM1446	CIM1447		CIM2046		CIM2047
1	9181142-11	9181142-12		9181143-11	9181143-13	Compressor
2	9181003-21	N/A		9181003-21	N/A	Start Capacitor
3	9181009-20	N/A		9181009-20	N/A	Run Capacitor
4	9181010-10	N/A		9181010-10	N/A	Relay
5	Internal	Internal		Internal	Internal	Overload
6R	9041098-02	9041098-02		9041098-02	9041098-02	High Temp Switch-Right side of the machine
6L	9041098-03	9041098-03		9041098-03	9041098-03	High Temp Switch-Left side of the machine
7	9101002-06	9101079-02		9101002-06	9101079-02	Contactors
8	9021096-01	9021096-01		9021096-01	9021096-01	Cable Tie, Metal
9	9041108-03	9041108-03		9041108-03	9041108-03	Valve, Water Inlet
10	2062336-04S	2062336-04S		2062336-04S	2062336-04S	Water Pump
11	9041105-05	9041105-05		9041105-05	9041105-05	Purge Valve
12	9091140-01	9091140-01		9091140-01	9091140-01	Purge Drain
13	1051224-01	1051224-01		1051224-01	1051224-01	Float Switch Assembly (Includes Instructions)
13T	9041112-01	9041112-01		9041112-01	9041112-01	Float Thermister
14	9101414-01	9101414-01		9101414-01	9101414-01	Board Dual Voltage
15	9051698-01P	9051698-01P		9051698-01P	9051698-01P	Plastic Standoff, Control Board (Pkg of 10)
16	9161134-02	9161134-02		9161134-02	9161134-02	Harvest Assist
17	9101394-01	9101394-01		9101394-01	9101394-01	Membrane Switch
18	9101379-01	9101379-01		9101379-01	9101379-01	Switch, Magnetic Reed (Bin Control On Evap)
	208-230/60/1	208-230/60/3		208-230/60/1	208-230/60/3	← Machine Voltage



Item No.	Model Number		Description
	CIM1545	CIM1845	
1	9181142-13	9181143-12	Compressor
2	9181003-19	9181003-34	Start Capacitor
3	9181009-13	9181009-20	Run Capacitor
4	9181010-10	9181010-04	Relay
5	Internal	Internal	Overload
6R	9041098-02	9041098-02	High Temp Switch-Right side of the machine
6L	9041098-03	9041098-03	High Temp Switch-Left side of the machine
7	9101002-08	9101002-08	Contact
8	9021096-01	9021096-01	Cable Tie, Metal
9	9041108-03	9041108-03	Valve, Water Inlet
10	2062336-04S	2062336-04S	Water Pump
11	9041105-05	9041105-05	Purge Valve
12	9091140-01	9091140-01	Purge Drain
13	1051224-01	1051224-01	Float Switch Assembly (Includes Instructions)
13T	9041112-01	9041112-01	Float Thermister
14	9101414-01	9101414-01	Board Dual Voltage
15	9051698-01P	9051698-01P	Plastic Standoff, Control Board (Pkg of 10)
16	9161134-02	9161134-02	Harvest Assist
17	9101394-01	9101394-01	Membrane Switch
18	9101379-01	9101379-01	Switch, Magnetic Reed (Bin Control On Evap)
	220-240/50/1	220-240/50/1	← Machine Voltage

