

TB3Q, 29" Trunk

34.2" x 21.7" x 11.5"
(86.9cm x 55.1cm x 29.2cm)

- Quickbrew has shorter brewing cycle
- Brews directly into any style portable server
- SplashGard® funnel deflects hot liquids away from the hand



Agency:



Specifications

Product #: 36700.0013

Water Access: Plumbed

Finish: Stainless

Funnel: Translucent Tea Funnel

Additional Features

Quickbrew Funnel Tip

Quick Brew

Electrical & Capacity

Volts	Amps	Watts	Cord Attached	Plug Type	8oz cups/hr 236ml cups/hr	Input H ² O Temp.	Phase	# Wires plus Ground	Hertz
120	14.4	1730	Yes	NEMA 5-15P	336	60°F (15.5°C)	1	2	60

Plumbing Requirements

PSI	kPa	Fitting Supplied	Water Flow Required (GPM)
20-90	138-621	1/4" Male Flare Fitting	-

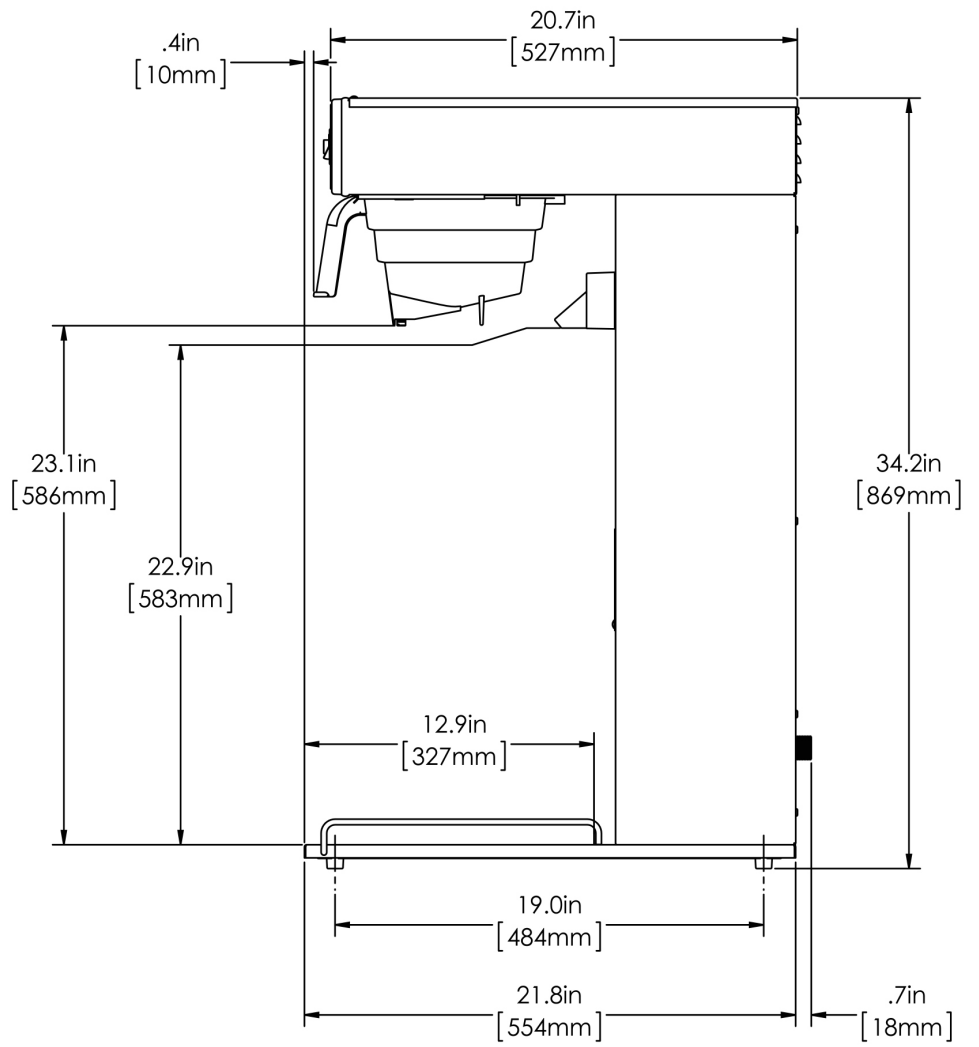
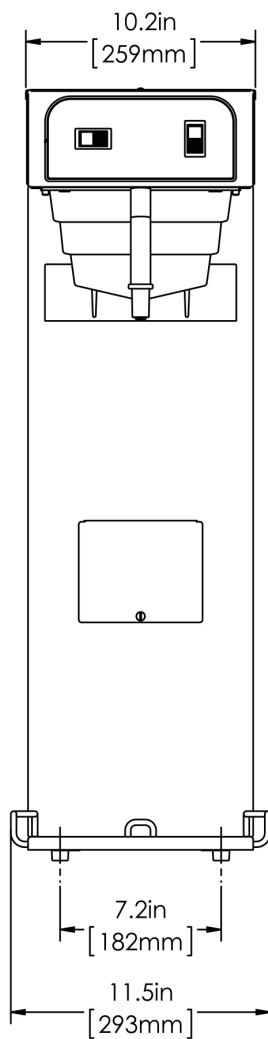
CAD Drawings

2D	Revit	KLC
●		



BUNN® reserves the right to change specifications and product design without notice. Such revisions do not entitle the buyer to corresponding changes, improvements, additions or replacements for previously purchased equipment. For most current specifications and other info visit bunn.com.

Created on:
01/01/2019



Unit			Shipping					
	Width	Height	Depth	Width	Height	Depth	Weight	Volume
English	11.5 in.	34.2 in.	21.7 in.	12.7 in.	37.2 in.	26.8 in.	38.950 lbs	7.327 ft ³
Metric	29.2 cm	86.9 cm	55.1 cm	32.3 cm	94.5 cm	68.1 cm	17.668 kgs	0.207 m ³



BUNN® reserves the right to change specifications and product design without notice. Such revisions do not entitle the buyer to corresponding changes, improvements, additions or replacements for previously purchased equipment. For most current specifications and other info visit bunn.com.

Created on:
01/01/2019

Related Products & Accessories:TB3Q, 29" Trunk(36700.0013)



FUNNEL AY,SMOKE-
QUICK BREW(TW

Product #: 03021.0005



FILTERS TEA/SYS2
500PK/1 50/CL

Product #: 20100.0000



POUCHPACK FUNL AY,
TEA S-T

Product #: 35282.0002



WATER FILTER, EQHP-
TEA

Product #: 39000.0007



CARTRIDGE, EQHP-
TEACRTG

Product #: 39000.1007



BUNN® reserves the right to change specifications and product design without notice. Such revisions do not entitle the buyer to corresponding changes, improvements, additions or replacements for previously purchased equipment. For most current specifications and other info visit bunn.com.

Created on:
01/01/2019

Serving & Holding Options: TB3Q, 29" Trunk(36700.0013)

 <p>TD4T, SIGHT GAUGE NUDGER HDL</p> <p>Product #:03250.0004</p>	 <p>TD4T, BREW THRU LID NUDGER HDL</p> <p>Product #:03250.0005</p>	 <p>TD4T, BREW THRU LID NO DECAL NUDGER HDL</p> <p>Product #:03250.0018</p>	 <p>TD4T, W/ LIFT HANDLE</p> <p>Product #:03250.0042</p>	 <p>TD4T, W/BREW THRU LID & LIFT HANDLE</p> <p>Product #:03250.0043</p>
 <p>TDS-3, 3 GAL</p> <p>Product #:33000.0000</p>	 <p>TDS-3.5, 3.5 GAL</p> <p>Product #:33000.0008</p>	 <p>TDS-3.5, 3.5 GAL</p> <p>Product #:33000.0023</p>	 <p>TDO-4, RESERVOIR</p> <p>Product #:34100.0000</p>	 <p>TDO-5, RESERVOIR</p> <p>Product #:34100.0001</p>
 <p>TDO-4, RESERVOIR BREW THRU</p> <p>Product #:34100.0002</p>	 <p>TDO-5, RESERVOIR, BREW THRU</p> <p>Product #:34100.0003</p>	 <p>TDO-N-3.5, RSVR</p> <p>Product #:39600.0001</p>	 <p>TDO-N-4.0, RSVR BUNN</p> <p>Product #:39600.0002</p>	<p>NO IMAGE AVAILABLE</p> <p>TDO-N-3.5, RSVR PINCH TB FCT</p> <p>Product #:39600.0008</p>
 <p>TDO-N-3.5, RSVR W/ LIFT HANDLE</p> <p>Product #:39600.0031</p>	 <p>TDO-N-3.5, RSVR W/ PINCH TUBE</p> <p>Product #:39600.0047</p>	 <p>TD3T-N, RSVR BREW THRU LID BUNN</p> <p>Product #:43900.0001</p>	 <p>TD3T-N, RSVR SOLID LID BUNN</p> <p>Product #:43900.0002</p>	



BUNN® reserves the right to change specifications and product design without notice. Such revisions do not entitle the buyer to corresponding changes, improvements, additions or replacements for previously purchased equipment. For most current specifications and other info visit bunn.com.

Created on:
01/01/2019