

TB6Q, 29" Trunk

34.0" x 22.6" x 12.2"
(86.4cm x 57.4cm x 31.0cm)

- Color coded decals help the operator properly align the brew basket, dispenser and choose the correct selection
- Includes rotating brew basket, base platform adapter, dedicated dilution nozzles and brew selection switch
- Specifically designed to accommodate and brew into two BUNN 3.5gal Narrow Tea Dispensers (can also brew directly into standard tea dispensers)
- SplashGard® funnel deflects hot liquids away from the hand



 Servers and airpots sold separately

Agency:



Specifications

Product #: 36700.0301

Water Access: Plumbed

Finish: Stainless

Funnel: Translucent Tea Funnel

Additional Features

Quickbrew Funnel Tip

Quick Brew

Electrical & Capacity

Volts	Amps	Watts	Cord Attached	Plug Type	8oz cups/hr 236ml cups/hr	Input H ₂ O Temp.	Phase	# Wires plus Ground	Hertz
120	14.4	1730	Yes	NEMA 5-15P	336	60°F (15.5°C)	1	2	60

Plumbing Requirements

PSI	kPa	Fitting Supplied	Water Flow Required (GPM)
20-90	138-621	1/4" Male Flare Fitting	-

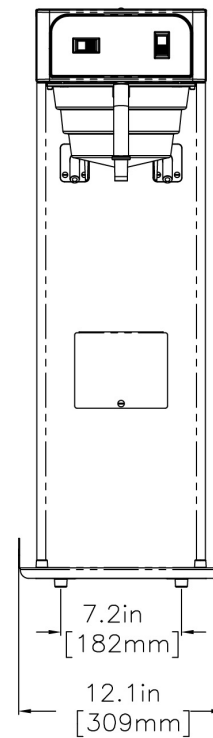
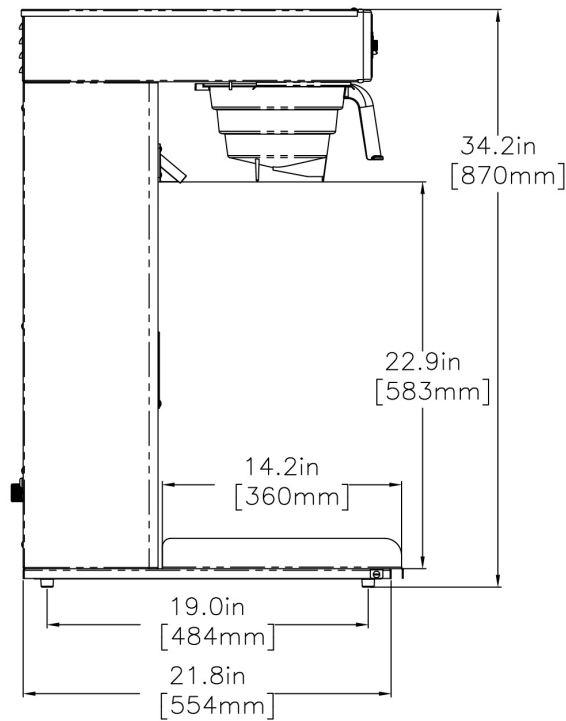
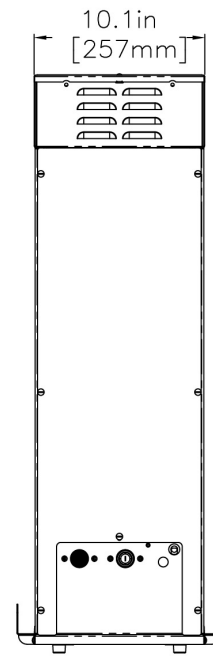
CAD Drawings

2D	Revit	KLC
●		



BUNN® reserves the right to change specifications and product design without notice. Such revisions do not entitle the buyer to corresponding changes, improvements, additions or replacements for previously purchased equipment. For most current specifications and other info visit bunn.com.

Created on:
10/14/2016



	Unit			Shipping				
	Width	Height	Depth	Width	Height	Depth	Weight	Volume
English	12.2 in.	34.0 in.	22.6 in.	-	-	-	42.150 lbs	7.327 ft ³
Metric	31.0 cm	86.4 cm	57.4 cm	-	-	-	19.119 kgs	0.207 m ³



BUNN® reserves the right to change specifications and product design without notice. Such revisions do not entitle the buyer to corresponding changes, improvements, additions or replacements for previously purchased equipment. For most current specifications and other info visit bunn.com.

Created on:
10/14/2016

Related Products & Accessories:TB6Q, 29" Trunk(36700.0301)



FUNNEL ASSY, SMOKE-TEA TB6Q

Product #: 03021.0014



FILTERS TEA/SYS2 500PK/1 50/CL

Product #: 20100.0000



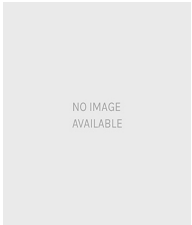
DRIP TRAY KIT, ITB W/2 TDO-N-3.5

Product #: 38029.1002



WATER FILTER, EQHP-TEA

Product #: 39000.0007



CARTRIDGE, EQHP-TEACRTG

Product #: 39000.1007



BUNN® reserves the right to change specifications and product design without notice. Such revisions do not entitle the buyer to corresponding changes, improvements, additions or replacements for previously purchased equipment. For most current specifications and other info visit bunn.com.

Created on:
10/14/2016

Serving & Holding Options: TB6Q, 29" Trunk(36700.0301)



TF SERVER, DSG2 1G
BLK CD

Product #:42700.0004



TF SERVER, DSG2 1.5G
BLK CD

Product #:42750.0010



TF SERVER, 1G/3.8L
MECH

Product #:44000.0000



TF SERVER, 1.5G/5.7L
MECH BLK

Product #:44050.0001



TF SERVER, 1G/3.8L
MECH BLK

Product #:44000.0001



TF SERVER, 1.5G/5.7L
MECH

Product #:44050.0000



TD4T, W/ LIFT HANDLE

Product #:03250.0042



TDO-N-3.5, RSVR W/
LIFT HANDLE

Product #:39600.0031



TD4T, W/BREW THRU
LID & LIFT HANDLE

Product #:03250.0043



TD3T-N, RSVR BREW
THRU LID BUNN

Product #:43900.0001



TD3T-N, RSVR SOLID
LID BUNN

Product #:43900.0002



TDO-N-3.5, RSVR

Product #:39600.0001



TDO-N-4.0, RSVR BUNN

Product #:39600.0002



TDO-N-3.5, RSVR W/
PINCH TUBE

Product #:39600.0047



TD4T, SIGHT GAUGE
NUDGER HDL

Product #:03250.0004



TD4T, BREW THRU LID
NUDGER HDL

Product #:03250.0005



TD4T, BREW THRU LID
NO DECAL NUDGER
HDL

Product #:03250.0018



AIRPOT, 2.5L GL PB
SINGLE PK

Product #:13041.0001



AIRPOT, 2.5L GL PB 6/
CASE

Product #:13041.0101



AIRPOT, 2.5L SST LA
SINGLE PK

Product #:32125.0000



BUNN® reserves the right to change specifications and product design without notice. Such revisions do not entitle the buyer to corresponding changes, improvements, additions or replacements for previously purchased equipment. For most current specifications and other info visit bunn.com.

Created on:
10/14/2016

Serving & Holding Options: TB6Q, 29" Trunk(36700.0301)



AIRPOT, 2.5L SST LA 6/
CASE

Product #:32125.0100



AIRPOT, 3.0L SST LA
SINGLE PK

Product #:32130.0000



AIRPOT, 3.0L SST LA 6/
CASE

Product #:32130.0100



TDS-3, 3 GAL

Product #:33000.0000



TDS-3.5, 3.5 GAL

Product #:33000.0008



TDO-4, RESERVOIR

Product #:34100.0000



TDO-5, RESERVOIR

Product #:34100.0001



TDO-4, RESERVOIR
BREW THRU

Product #:34100.0002



TDO-5, RESERVOIR,
BREW THRU

Product #:34100.0003



THERMAL CARAFE, BLK
1.9L 12PK

Product #:36029.0000



THERMAL CARAFE, BLK
1.9L 1PK

Product #:36029.0001



THERMAL CARAFE, ORN
1.9L 12PK

Product #:36252.0000



THERMAL CARAFE, ORN
1.9L 1PK

Product #:36252.0001



AIRPOT, 3.8L SST LA
SINGLE PK

Product #:36725.0000



AIRPOT, 3.8L SST LA 6/
CASE

Product #:36725.0100

NO IMAGE
AVAILABLE

TDO-N-3.5, RSVR PINCH
TB FCT

Product #:39600.0008



CARAFE, SST 1.9L SHRT
BLK 1/

Product #:40163.0000



CARAFE, SST 1.9L SHRT
ORN 1/

Product #:40163.0001



CARAFE, SST 1.9L SHRT
BLK 12/

Product #:40163.0100



CARAFE, SST 1.9L SHRT
ORN 12/

Product #:40163.0101



BUNN® reserves the right to change specifications and product design without notice. Such revisions do not entitle the buyer to corresponding changes, improvements, additions or replacements for previously purchased equipment. For most current specifications and other info visit bunn.com.

Created on:
10/14/2016

Serving & Holding Options: TB6Q, 29" Trunk(36700.0301)



TF SERVER, DSG2
1G/3.8L

Product #:42700.0000



TF SERVER, DSG2
1G/3.8L BLK

Product #:42700.0001



TF SERVER, DSG2 1.5G
SST

Product #:42750.0000



TF SERVER, DSG2 1.5G
BLK

Product #:42750.0001



TF SERVER, DSG2 1G
CD

Product #:42700.0003



TF SERVER, DSG2 1.5G
CD

Product #:42750.0003



TDS-3.5, 3.5 GAL

Product #:33000.0023



BUNN® reserves the right to change specifications and product design without notice. Such revisions do not entitle the buyer to corresponding changes, improvements, additions or replacements for previously purchased equipment. For most current specifications and other info visit bunn.com.

Created on:
10/14/2016